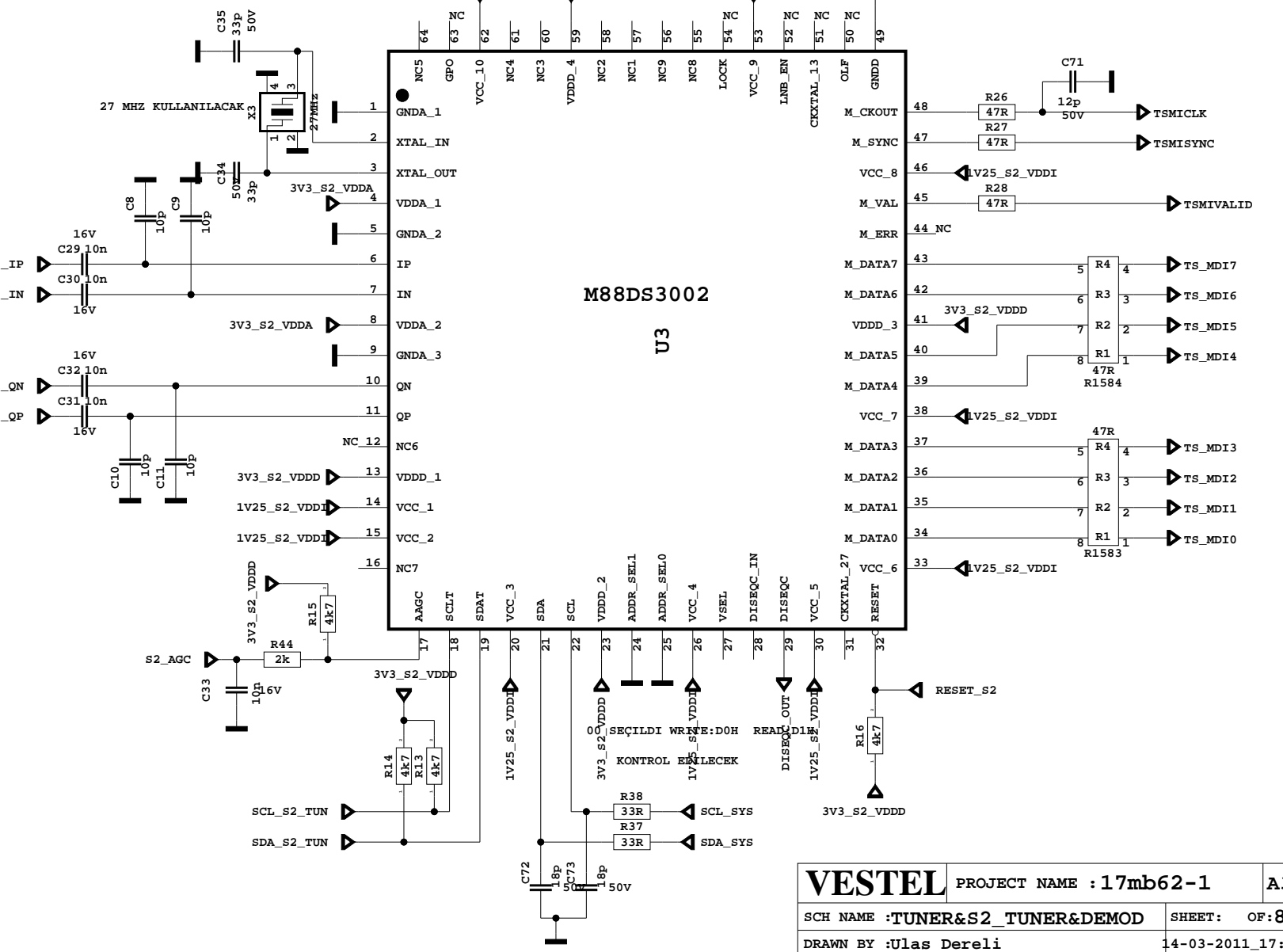
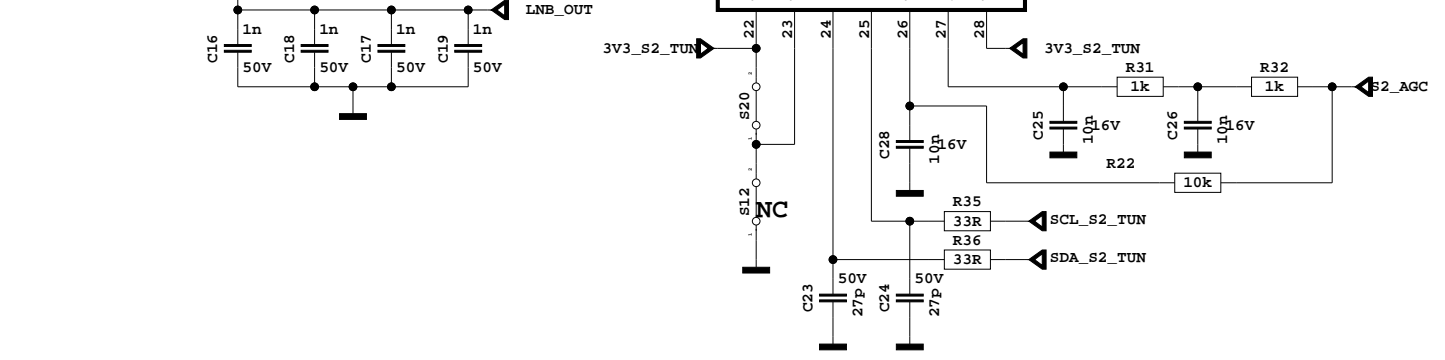
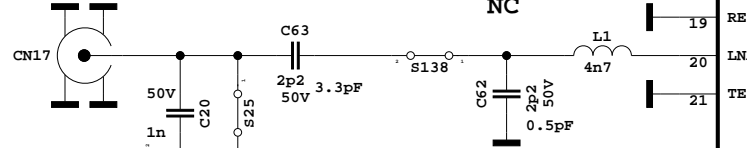
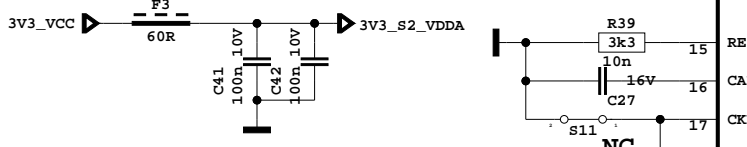
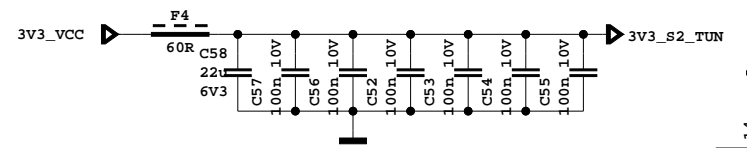
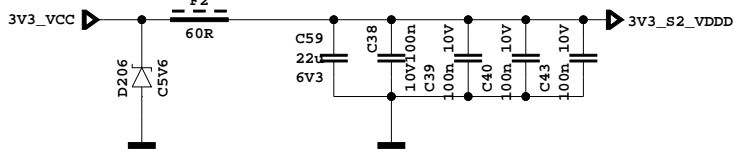
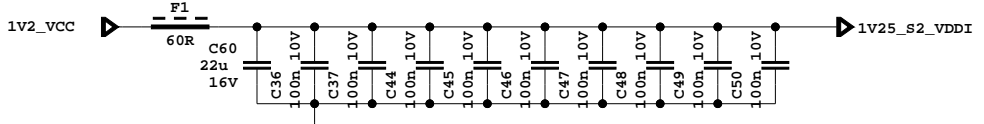
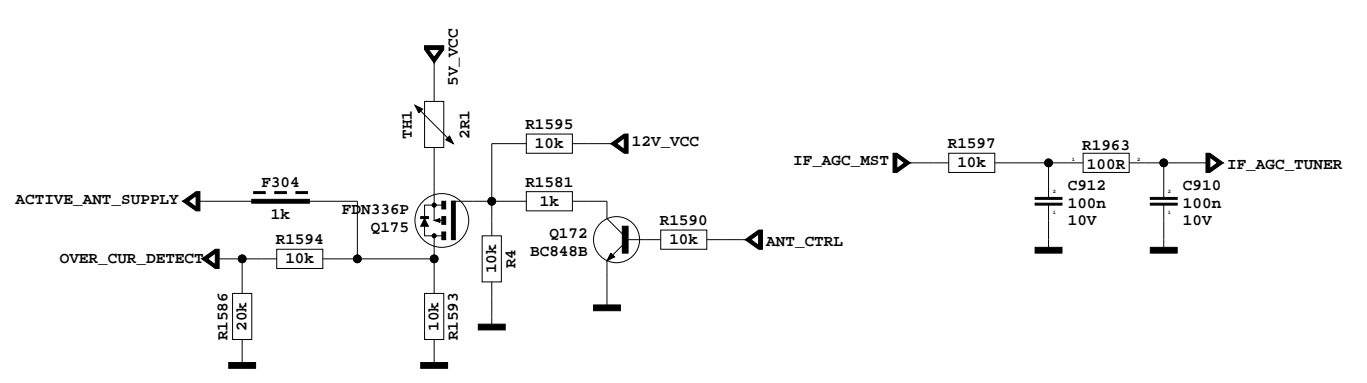
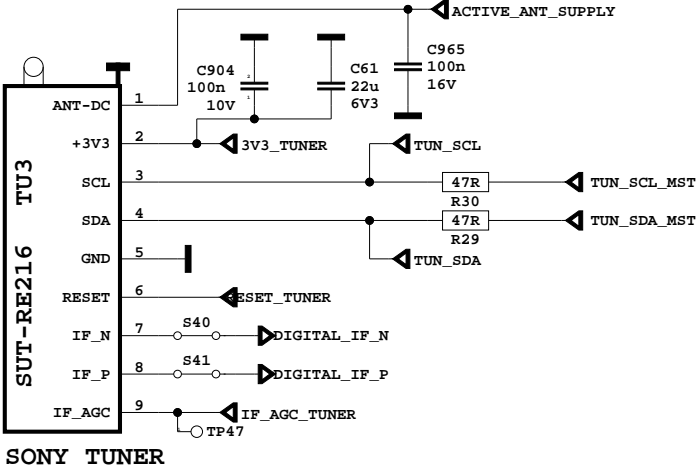
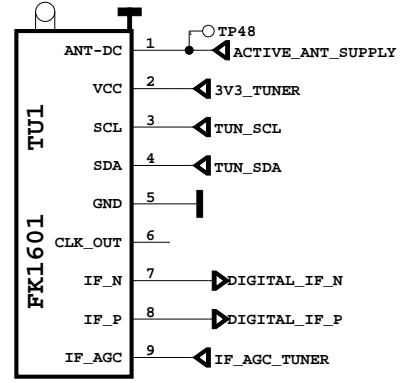
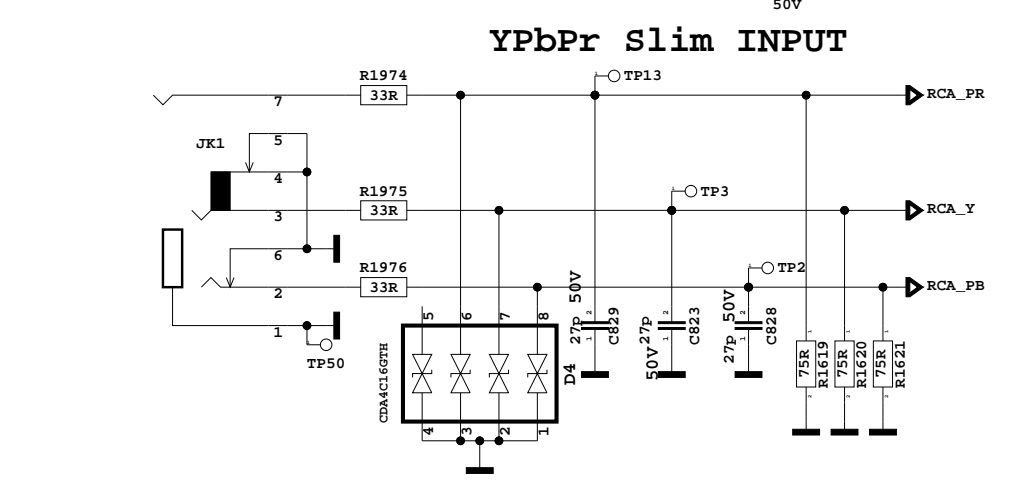
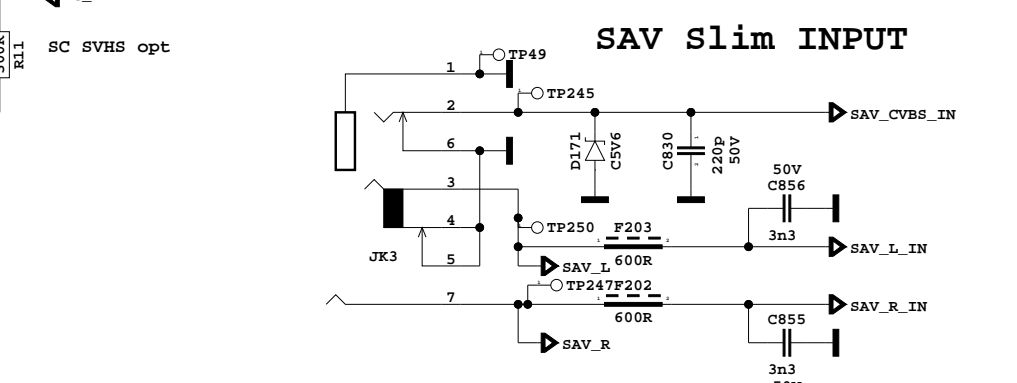
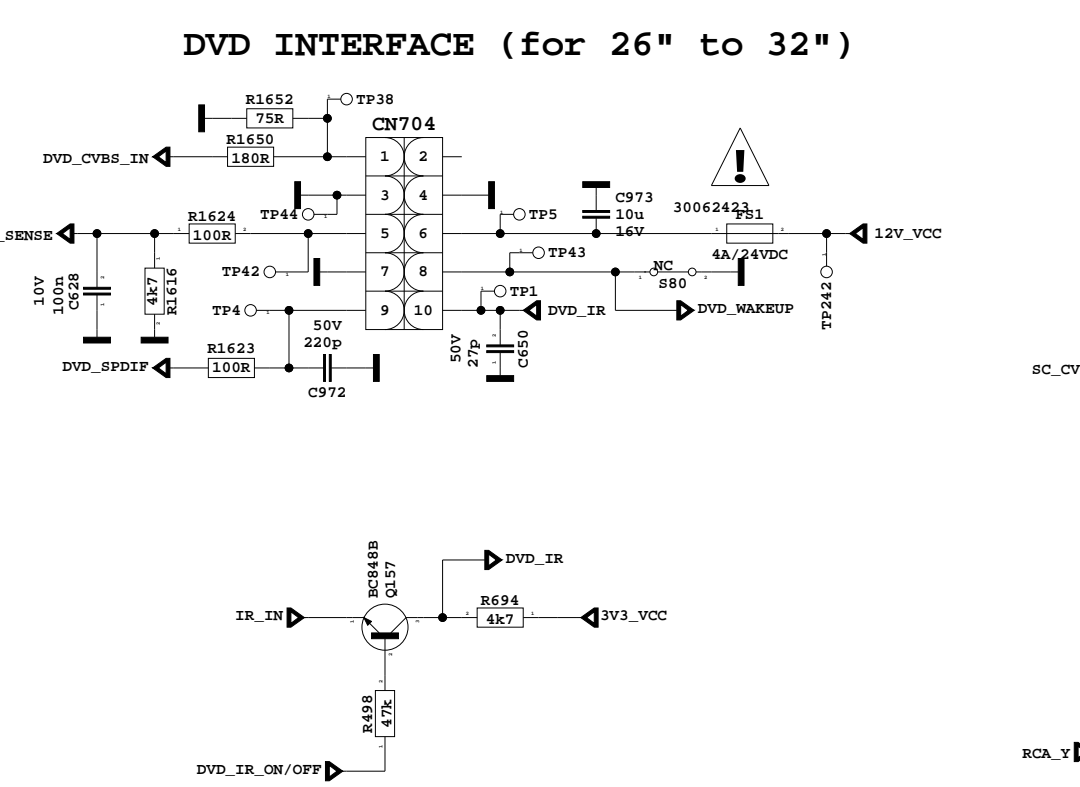
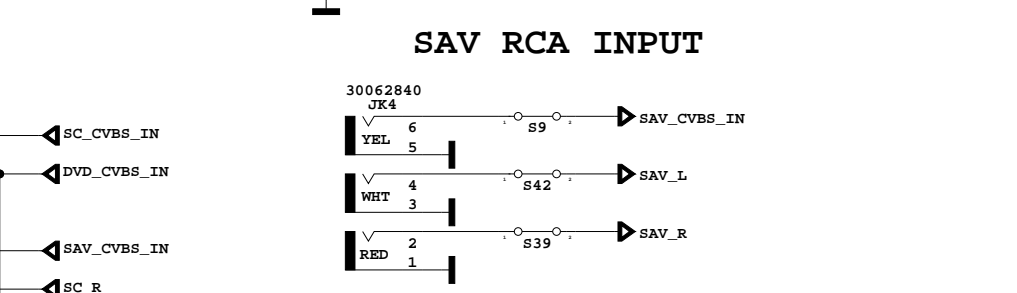
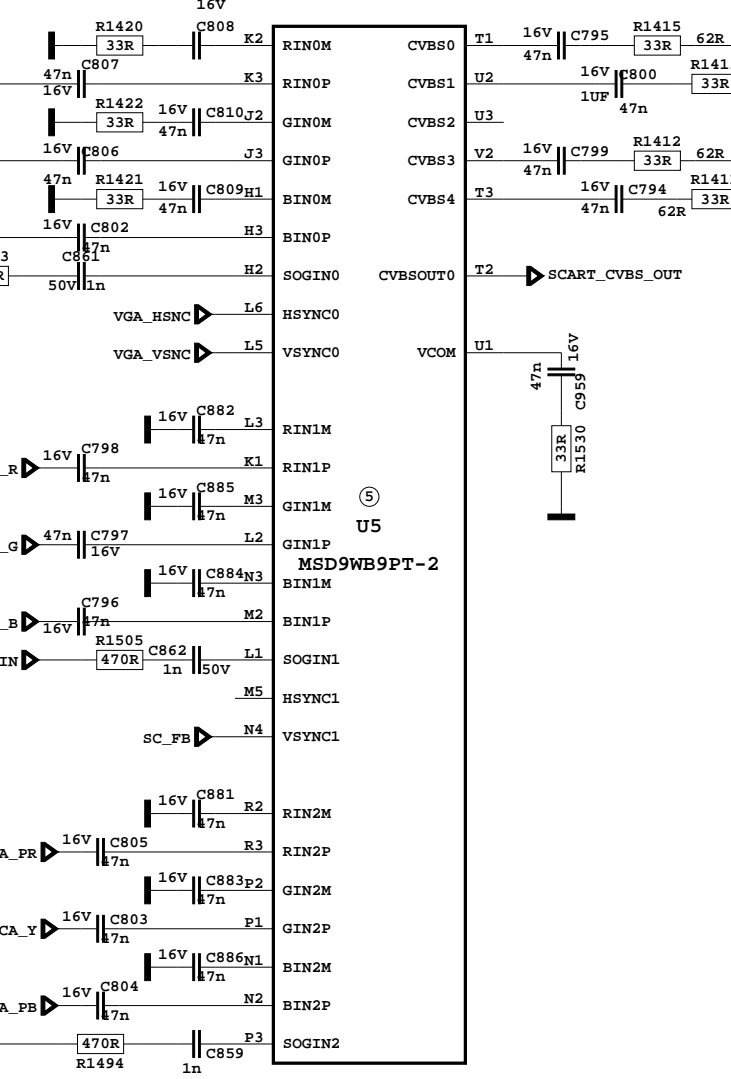
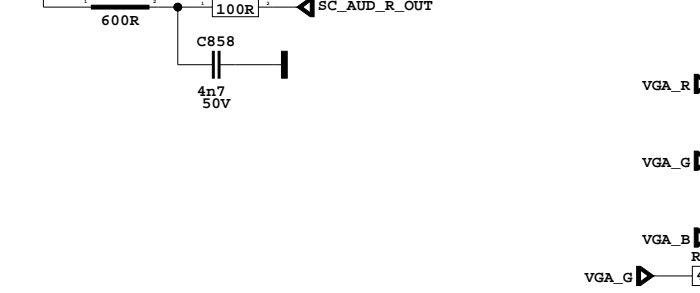
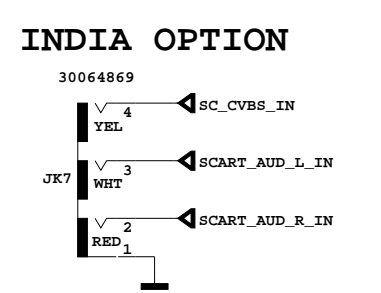
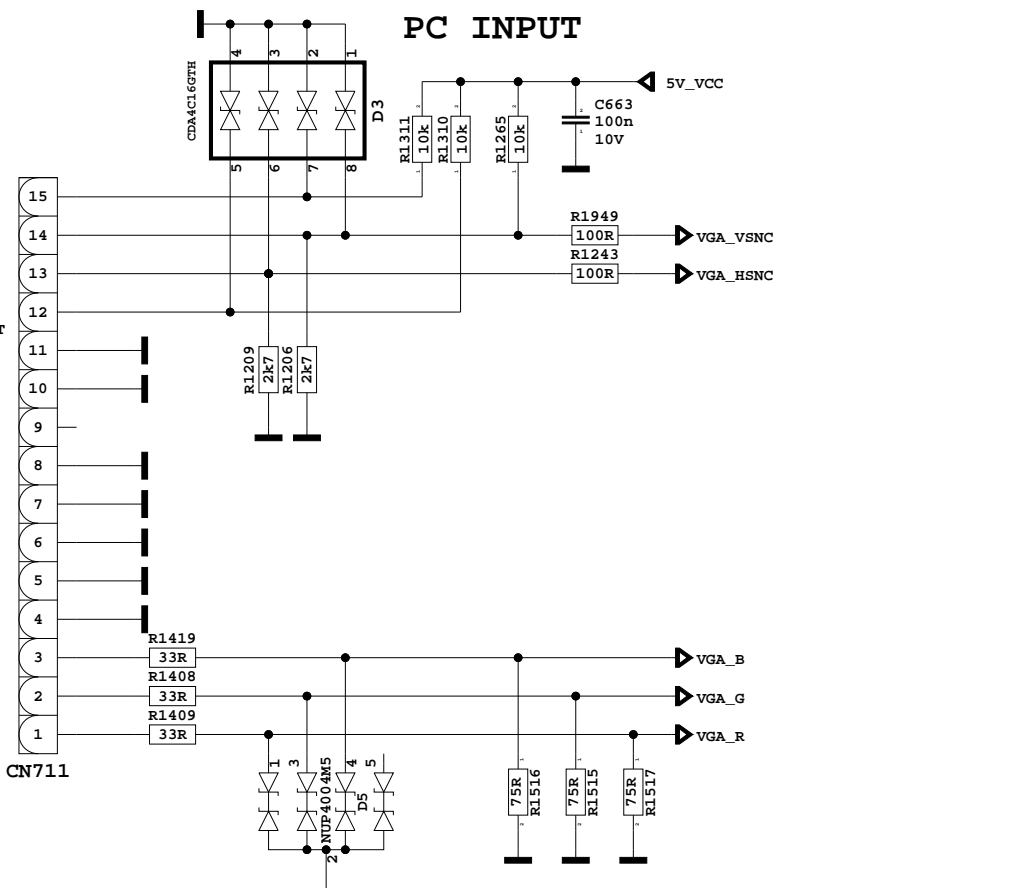
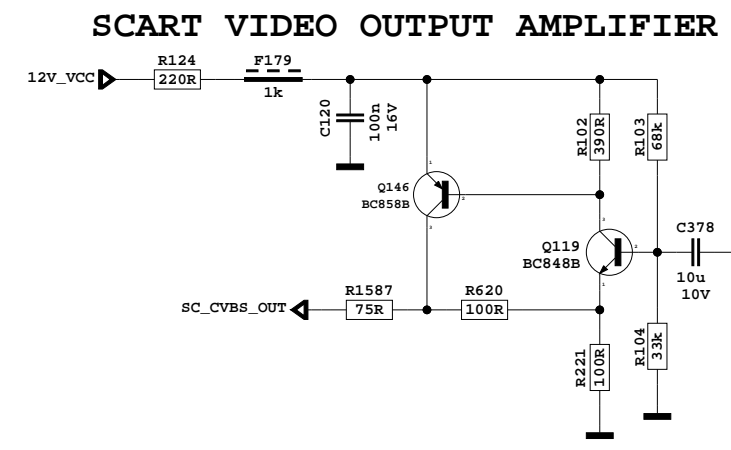
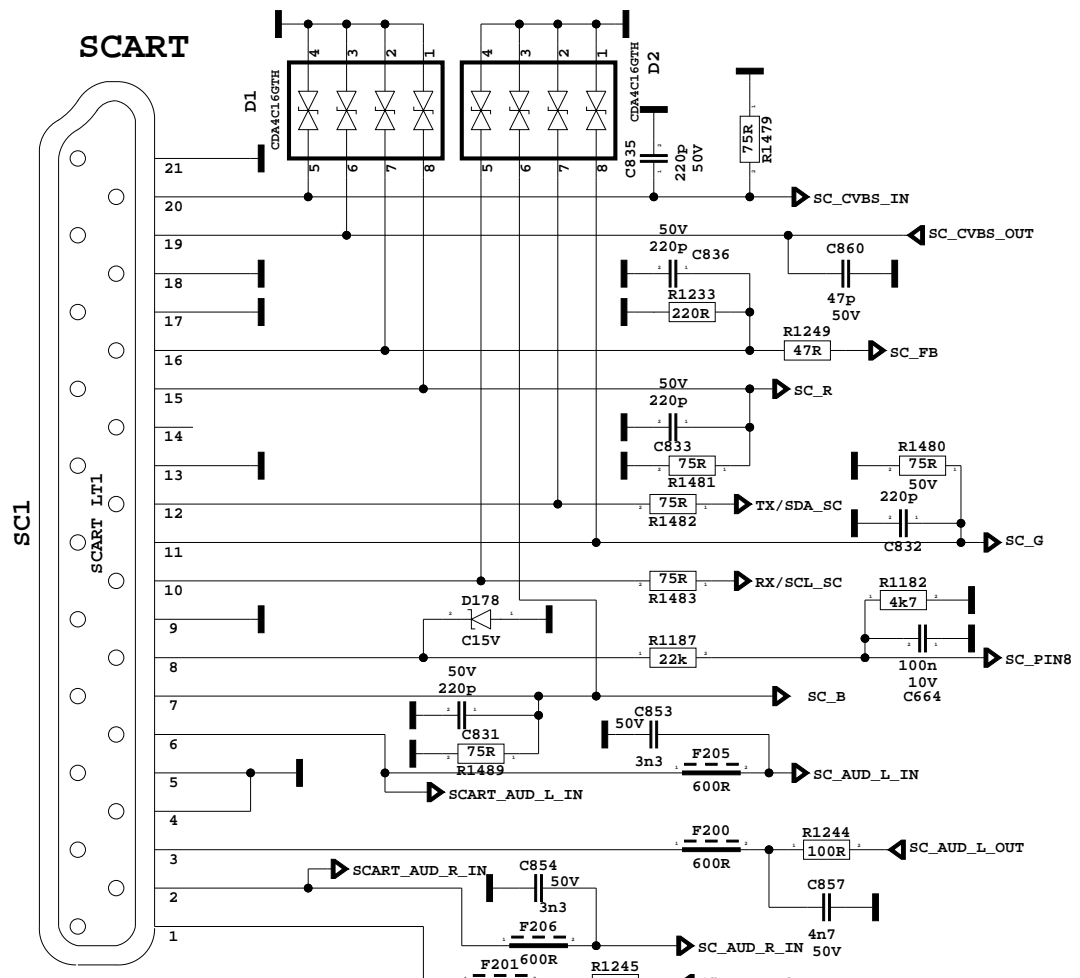
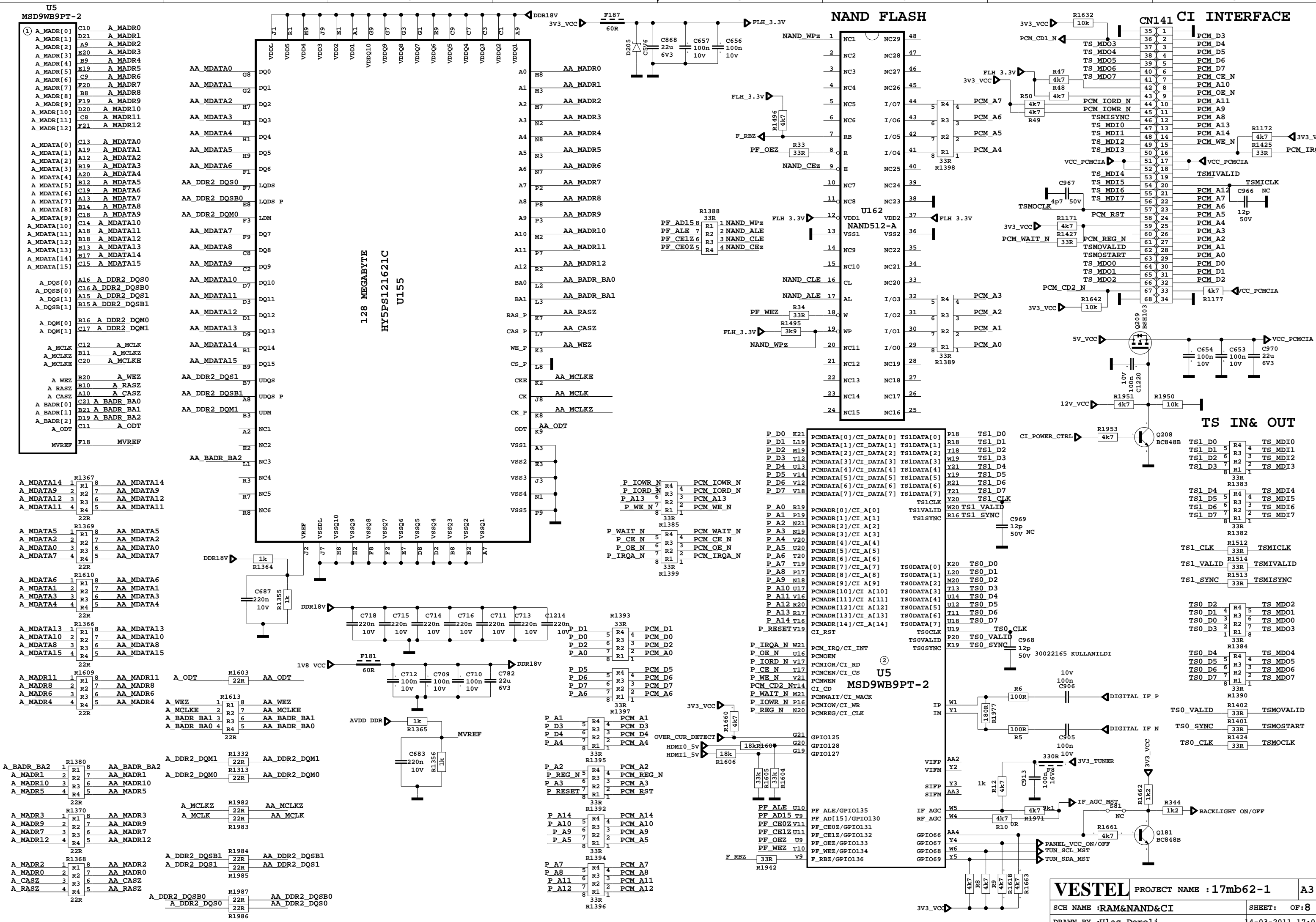


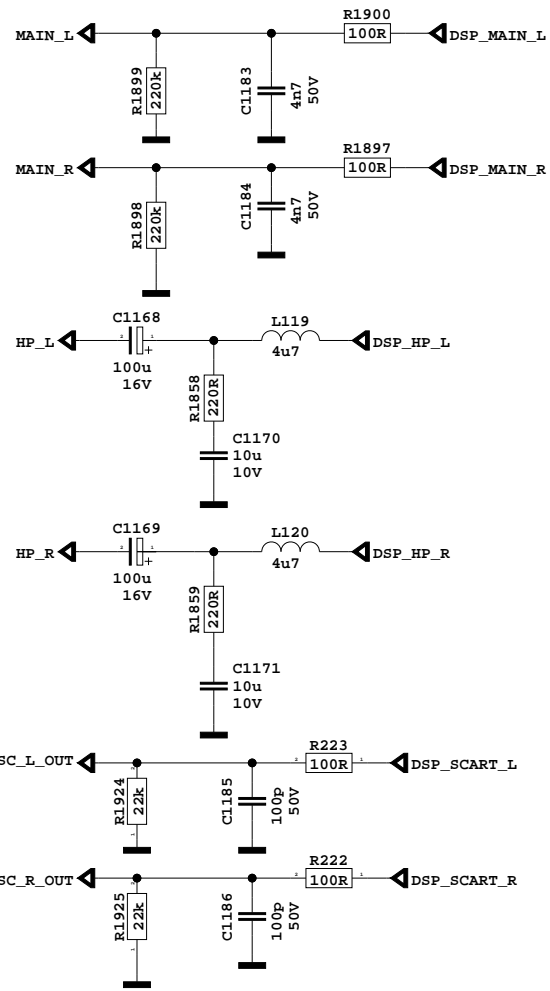
NUTUNE/SEMCO/LG



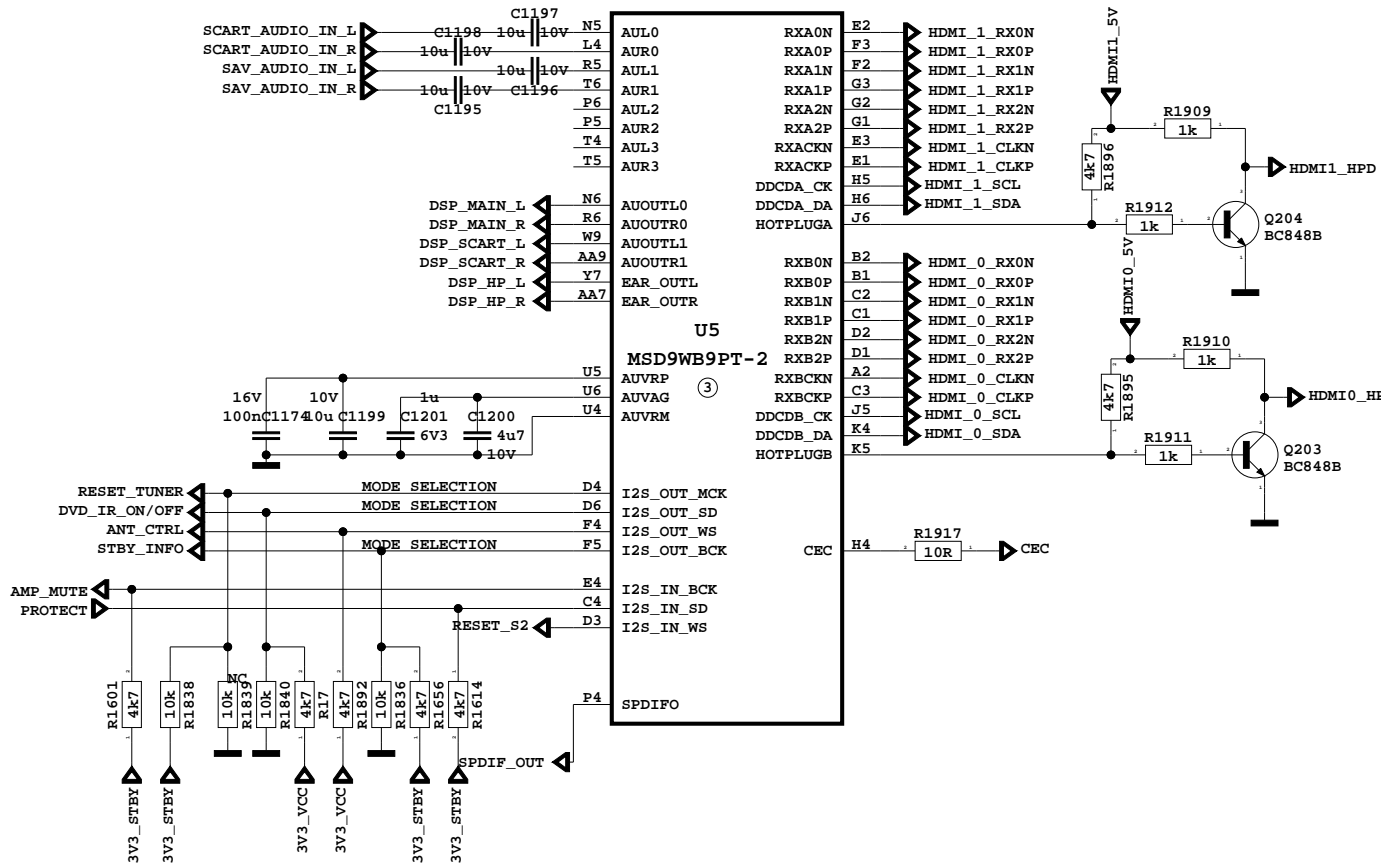
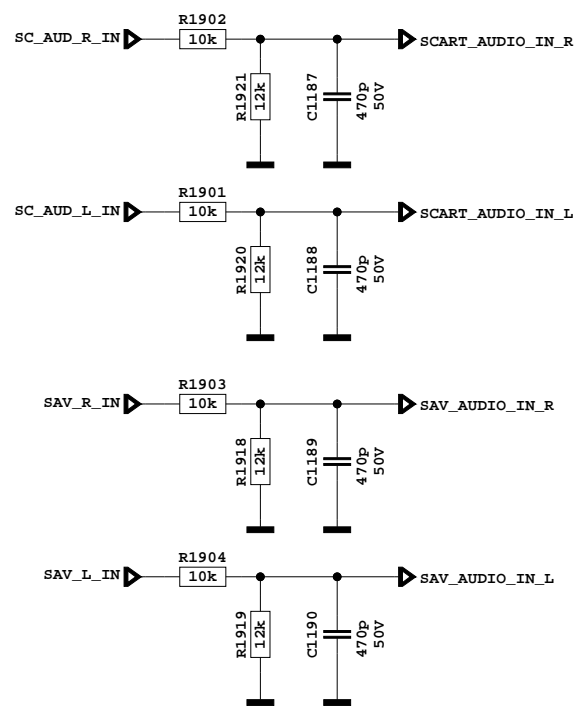




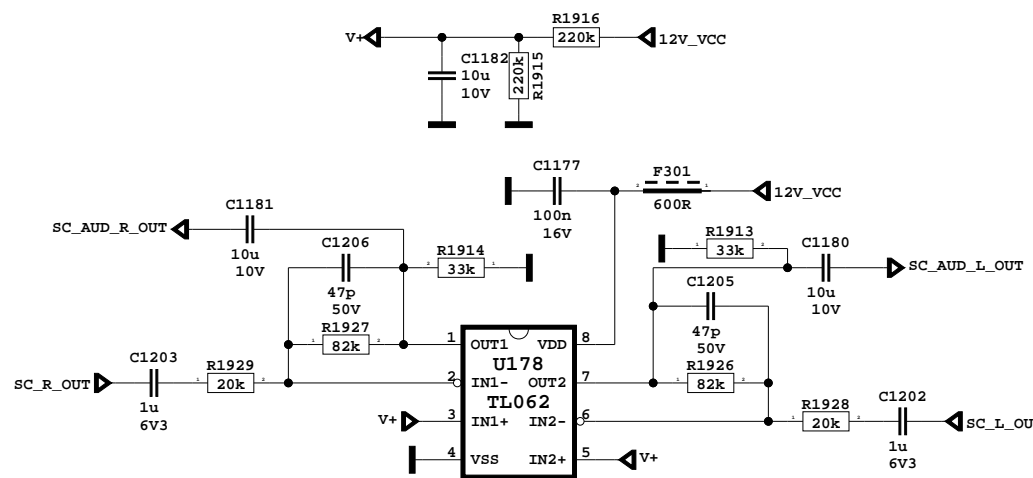
AUDIO OUTPUTS



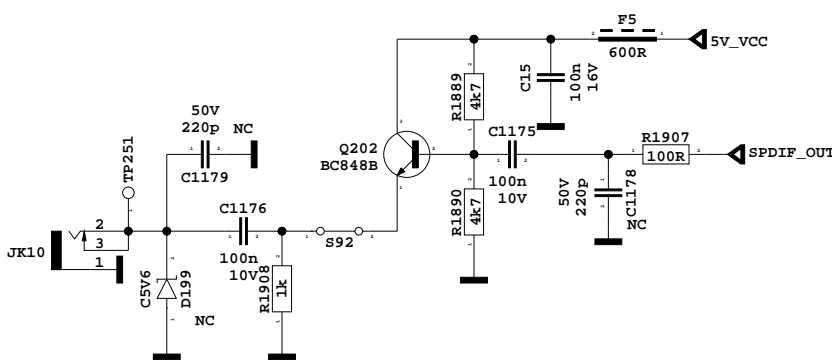
AUDIO INPUTS



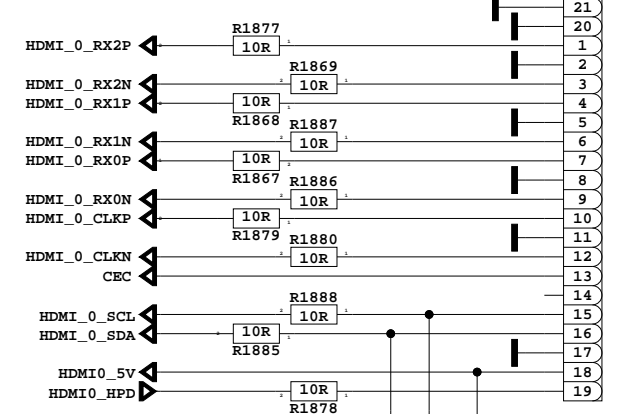
PRE-AMP for SCART AUDIO



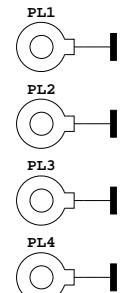
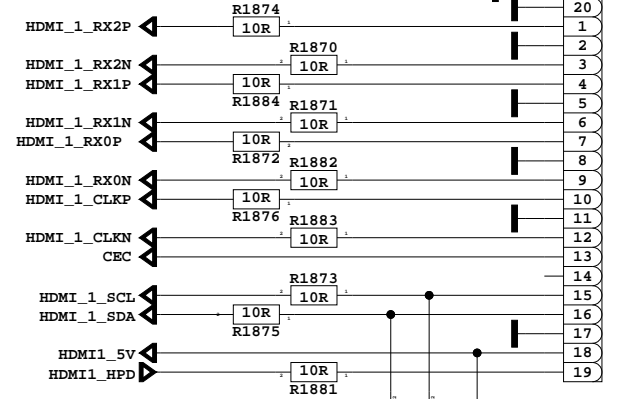
COAX SPDIF OUT



HDMI 2



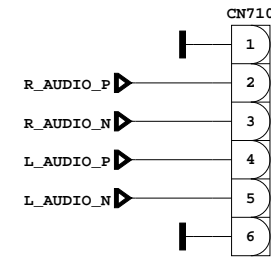
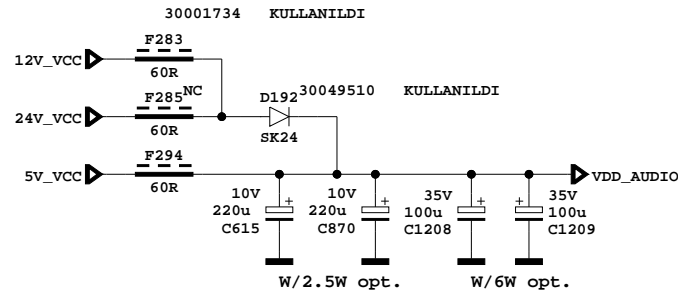
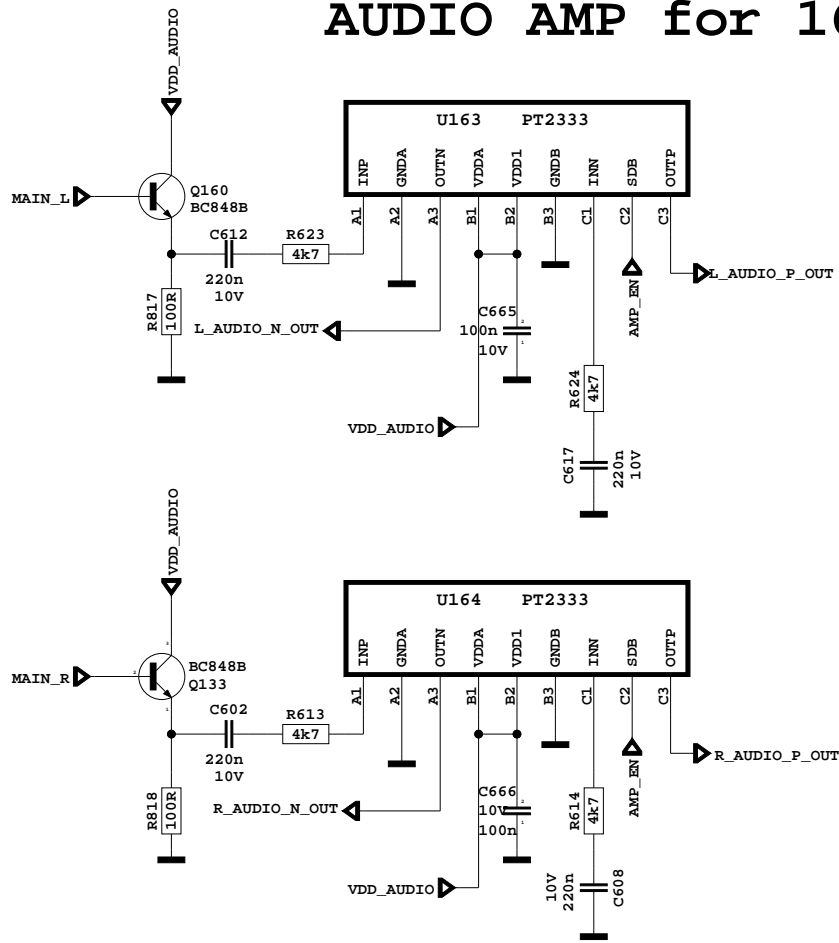
HDMI 1



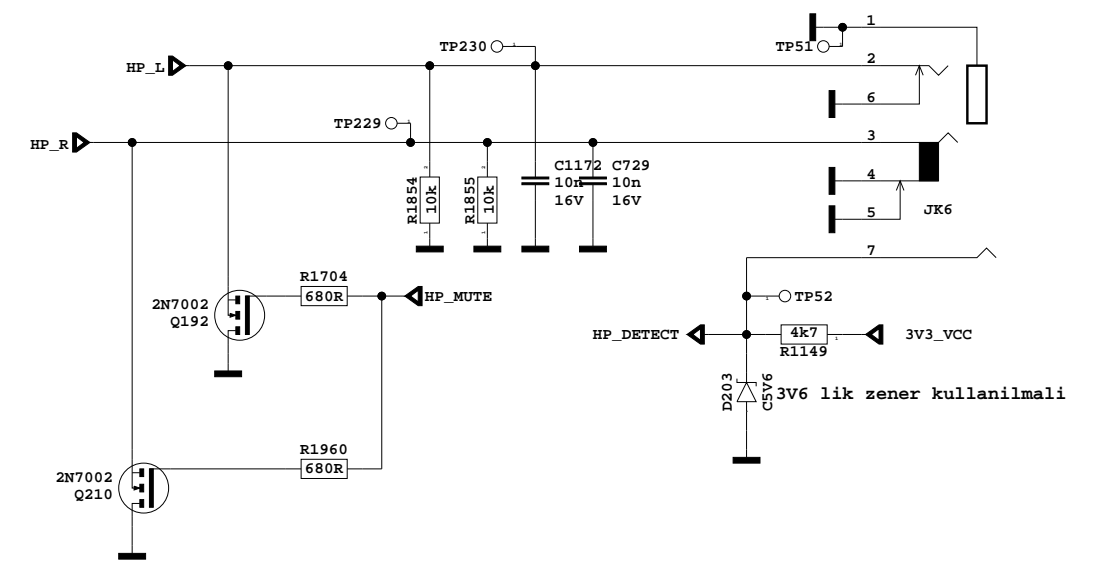
OPTIONAL

COMMON

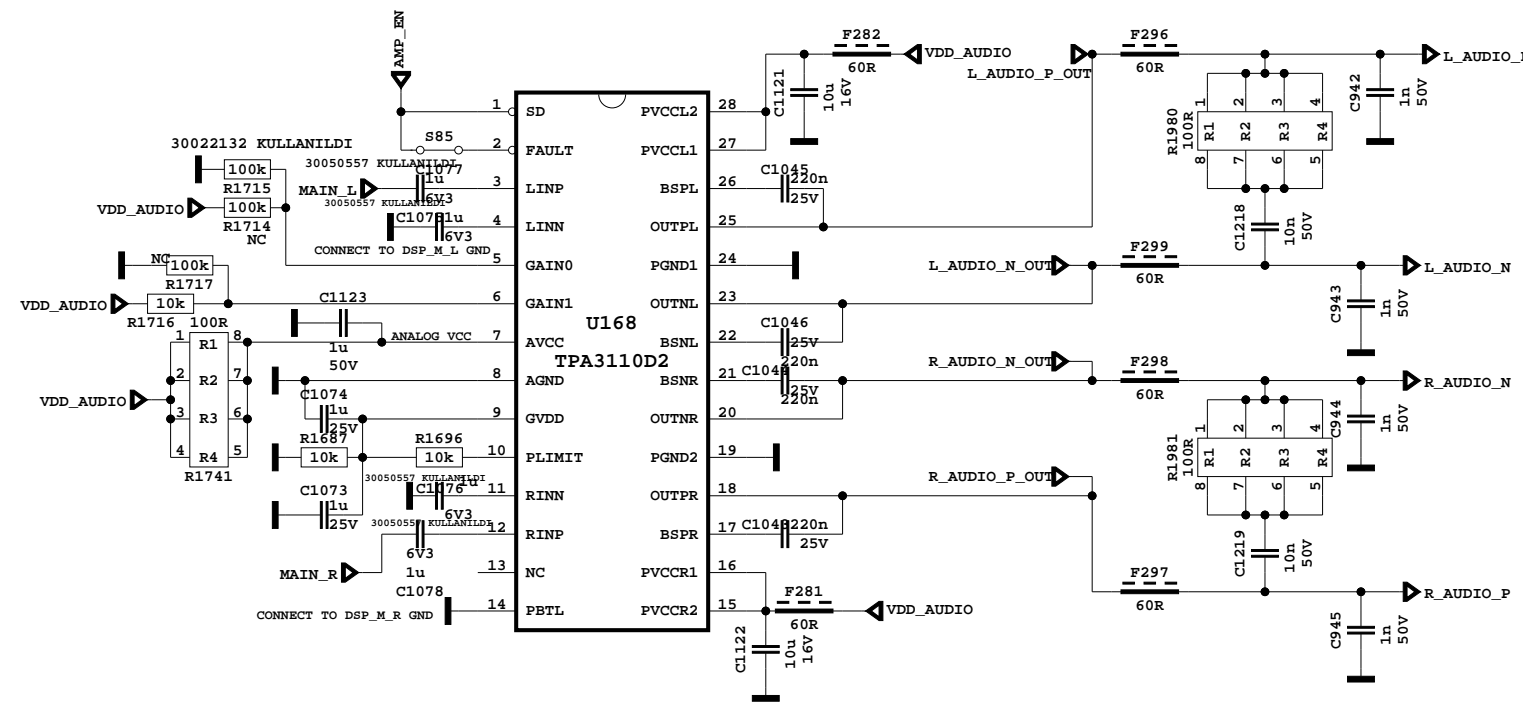
AUDIO AMP for 16" to 24"



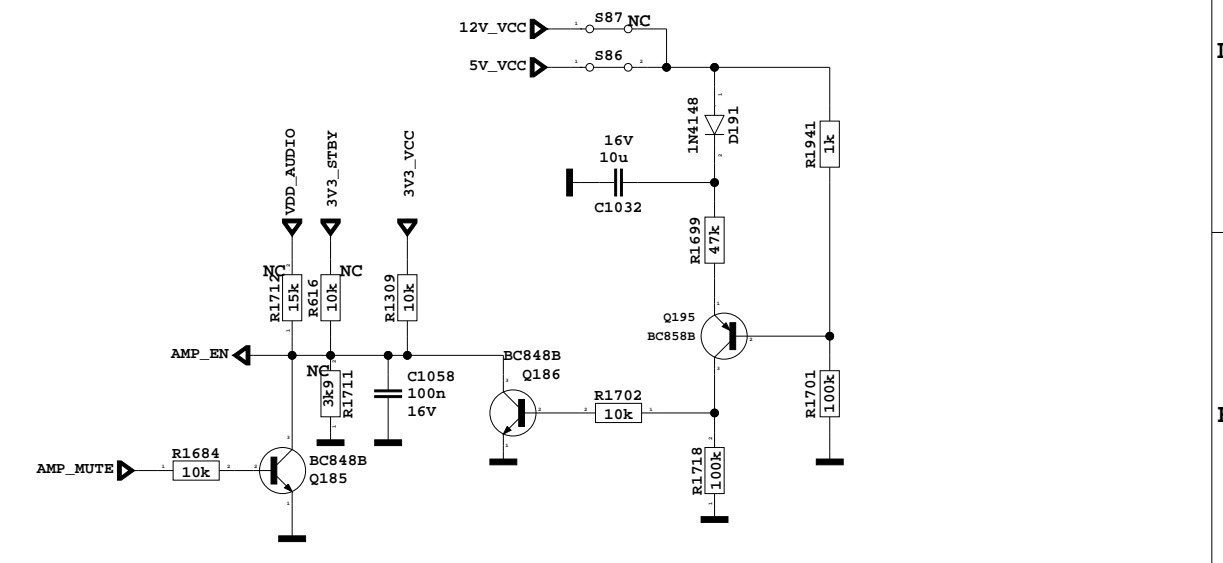
SLIM HEADPHONE OUTPUT

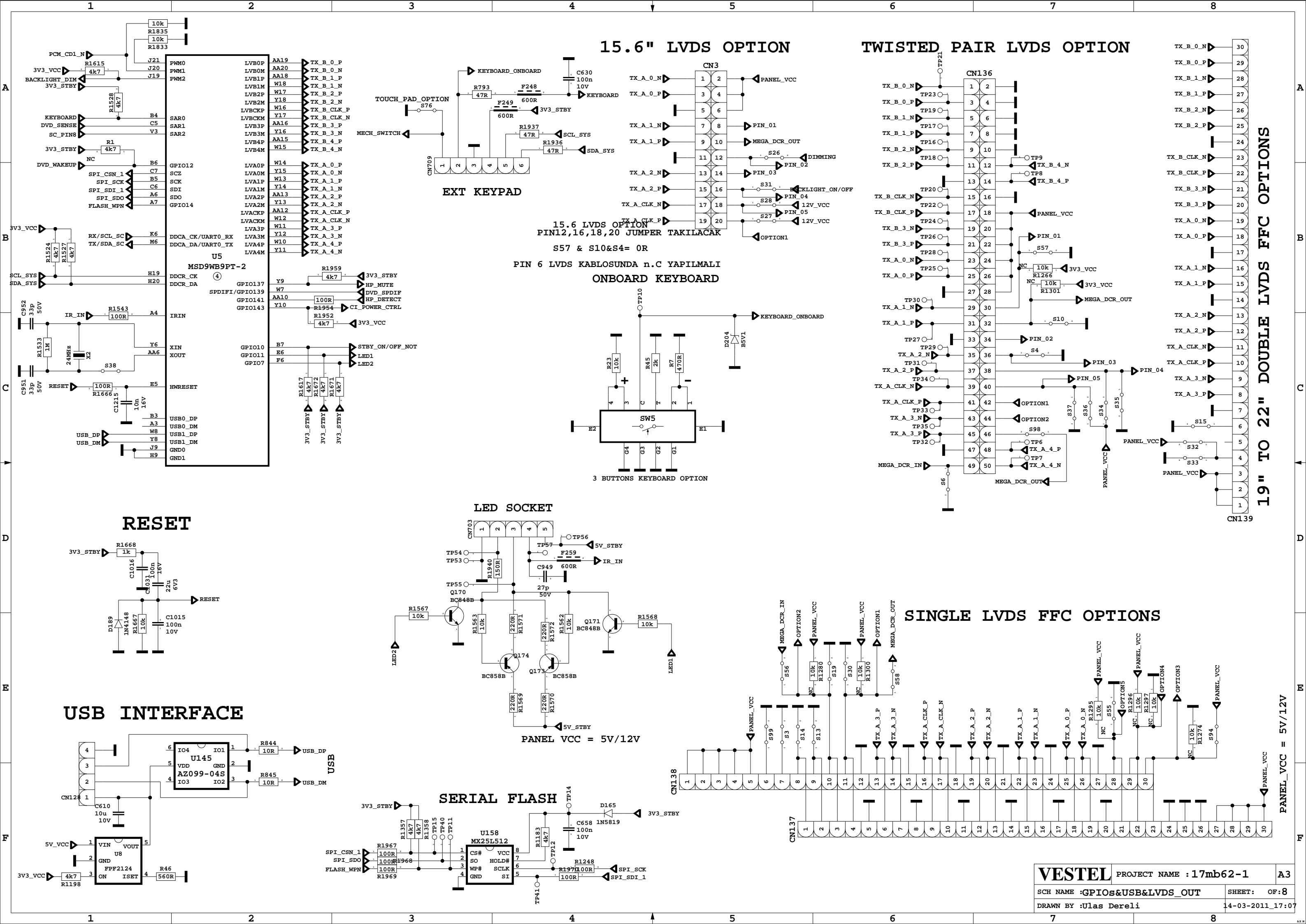


AUDIO AMP for 26" to 32"

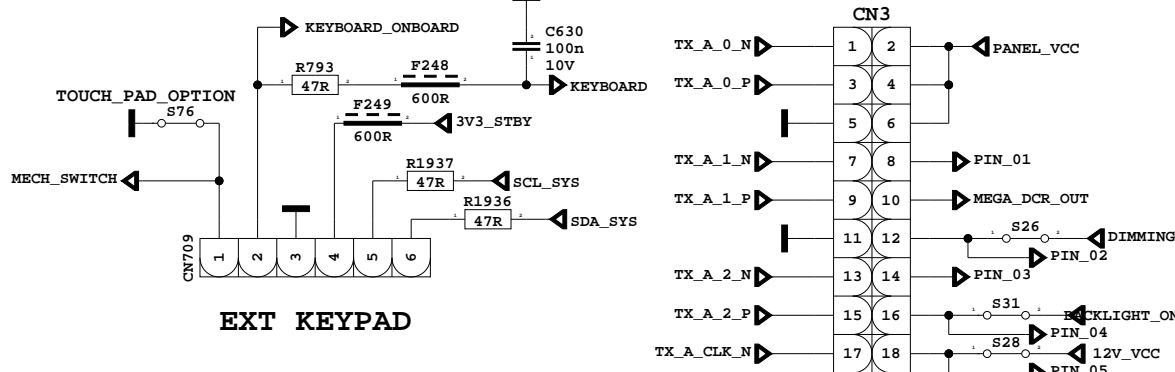


POP NOISE CIRCUIT

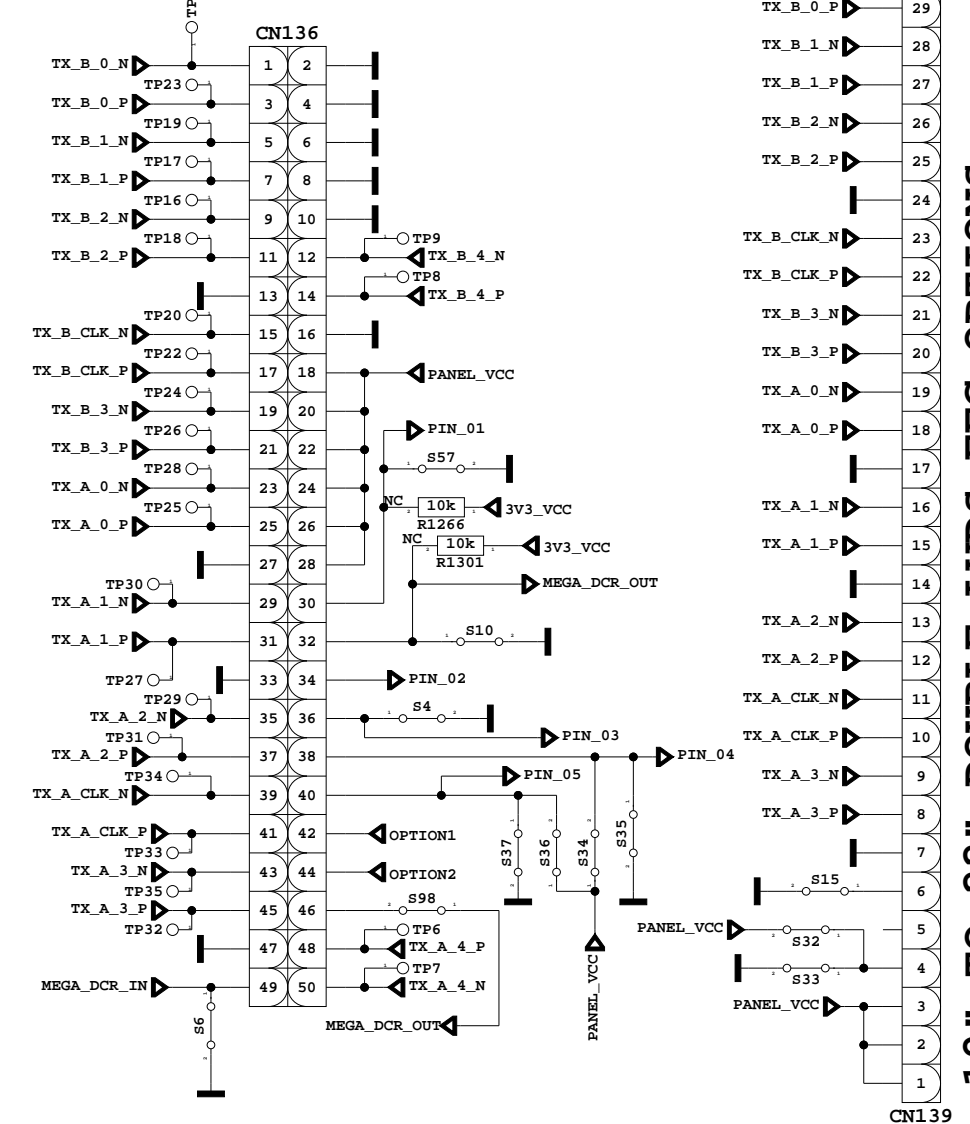




15.6" LVDS OPTION



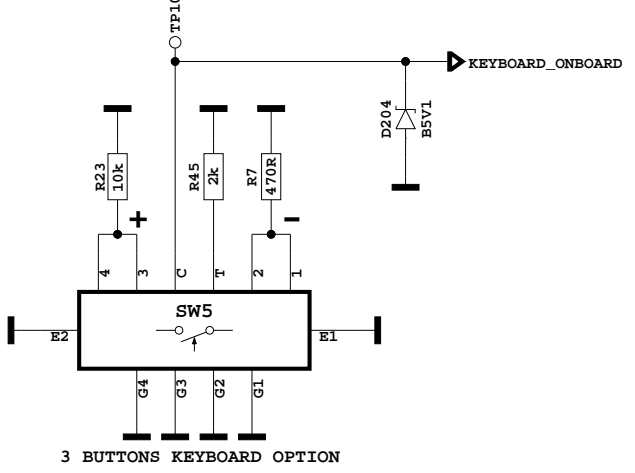
TWISTED PAIR LVDS OPTION



19" TO 22" DOUBLE LVDS FFC OPTIONS

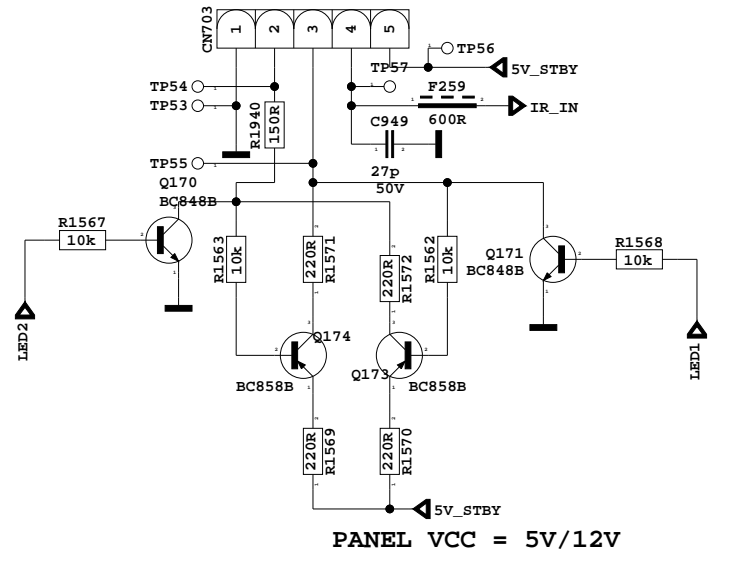
**15.6 LVDS OPTION
PIN12,16,18,20 JUMPER TAKILACAK**

S57 & S10&S4= 0R
PIN 6 LVDS KABLOSUNDA n.C YAPILMALI
ONBOARD KEYBOARD



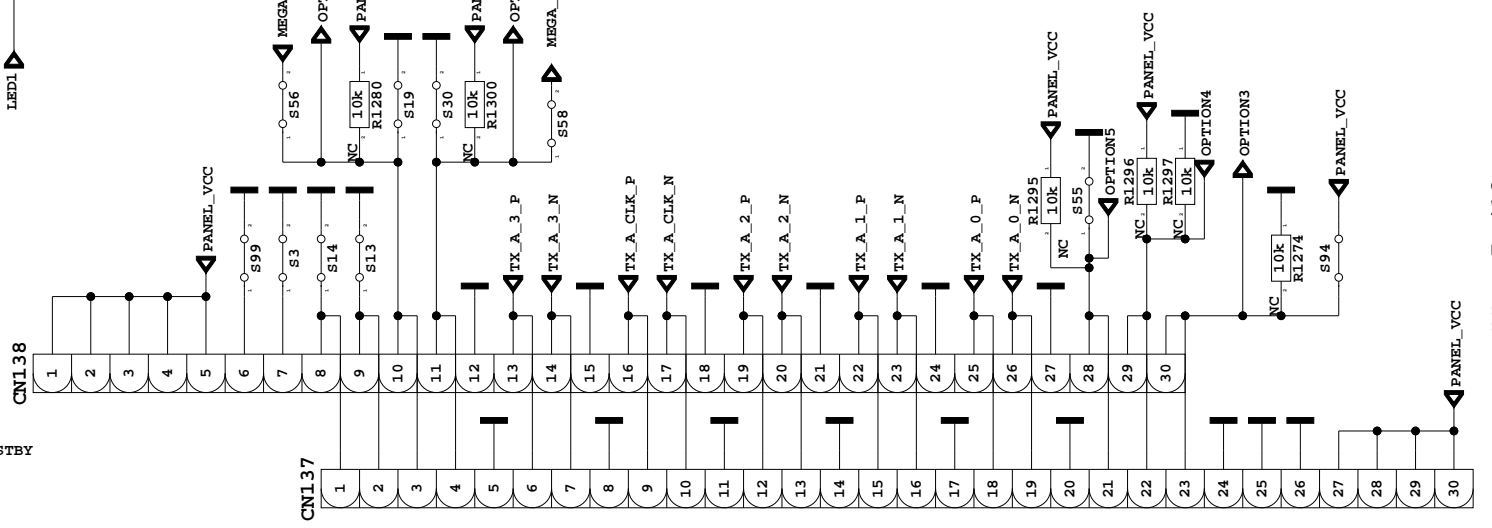
3 BUTTONS KEYBOARD OPTION

LED SOCKET



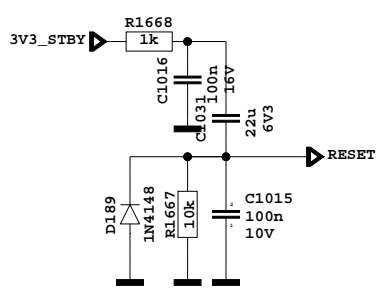
PANEL VCC = 5V/12V

SINGLE LVDS FFC OPTIONS

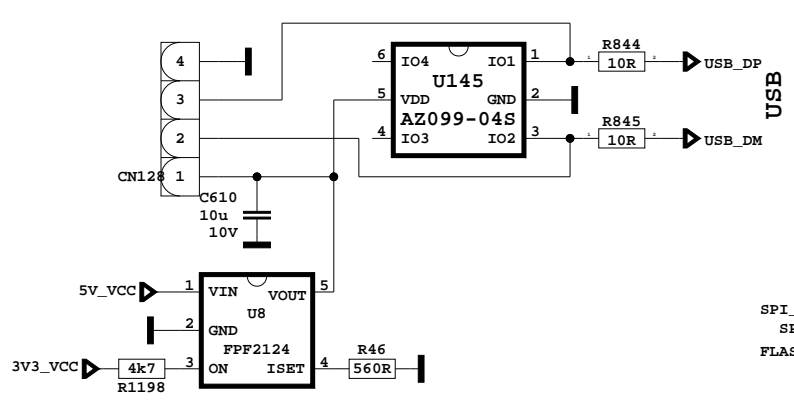


PANEL_VCC = 5V/12V

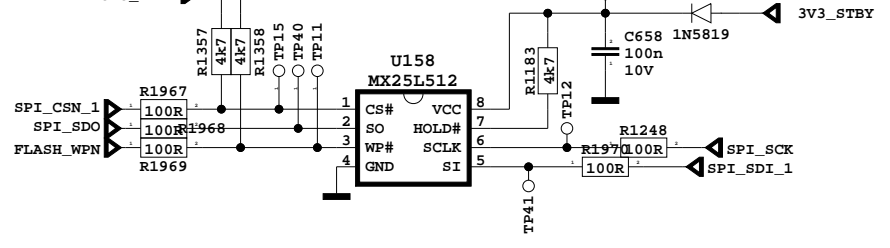
RESET

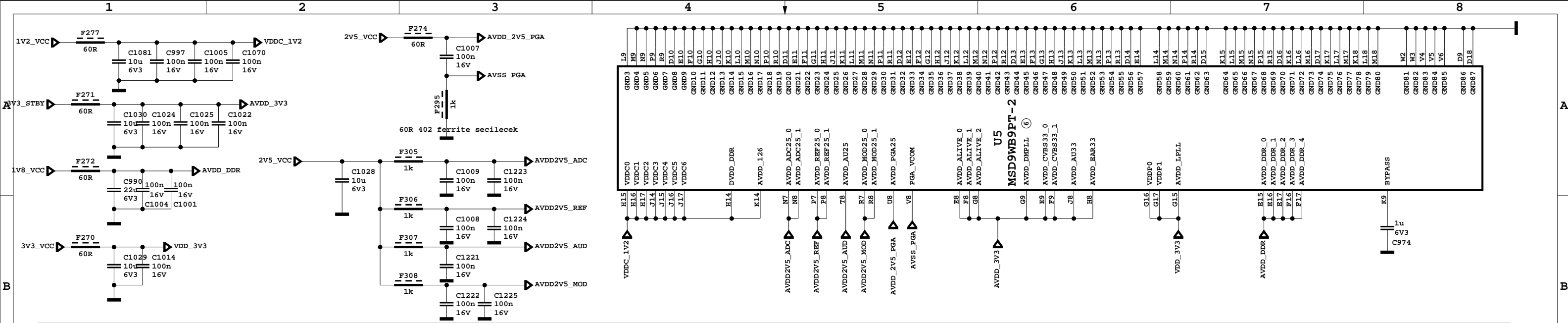


USB INTERFACE

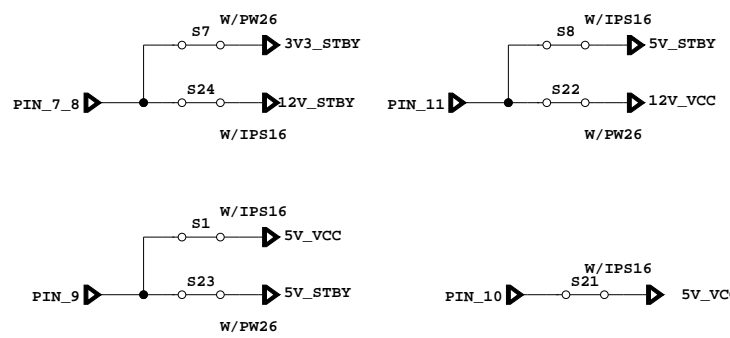
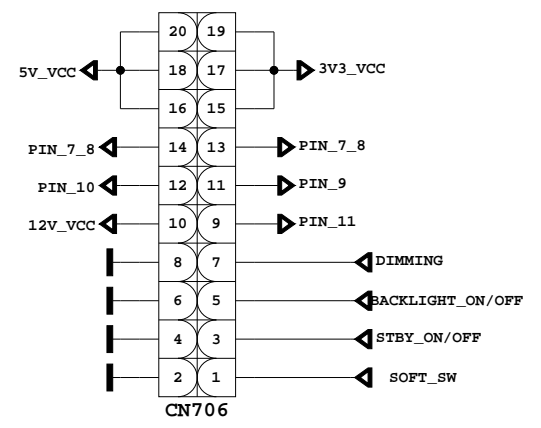


SERIAL FLASH

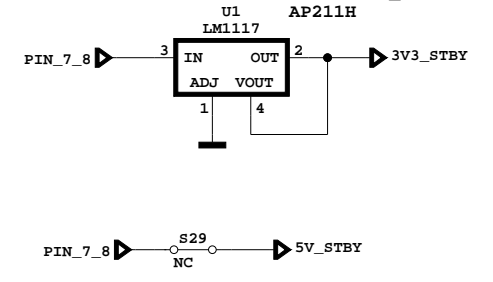




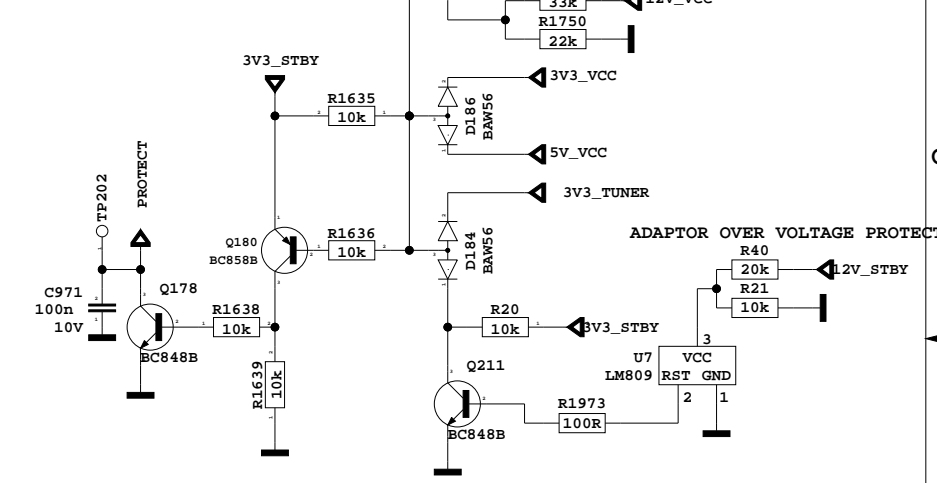
16" to 24" POWER SOCKET



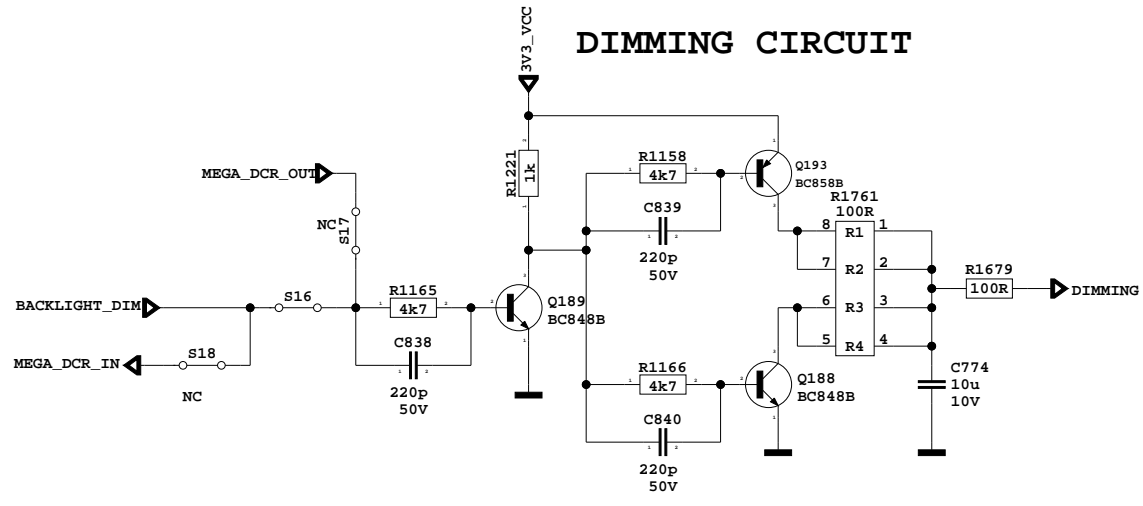
PW04 LOW POWER Option



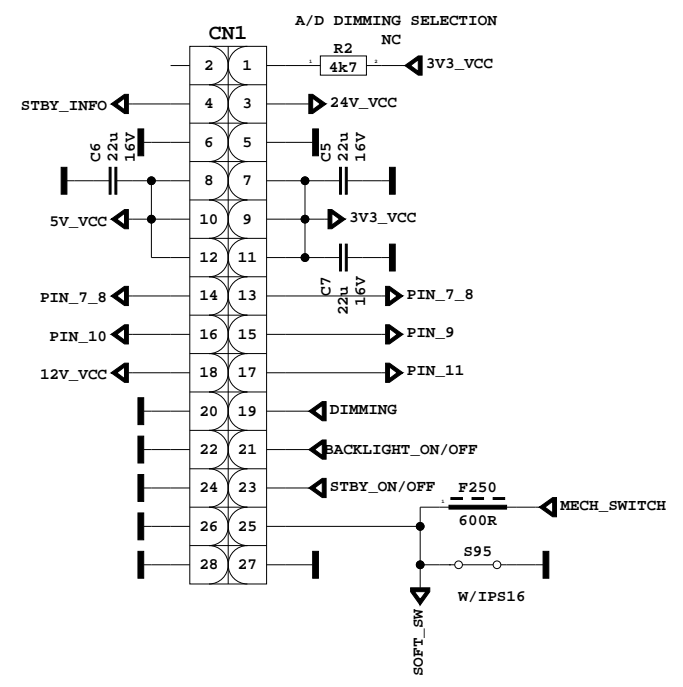
SHORT CCT PROTECTION



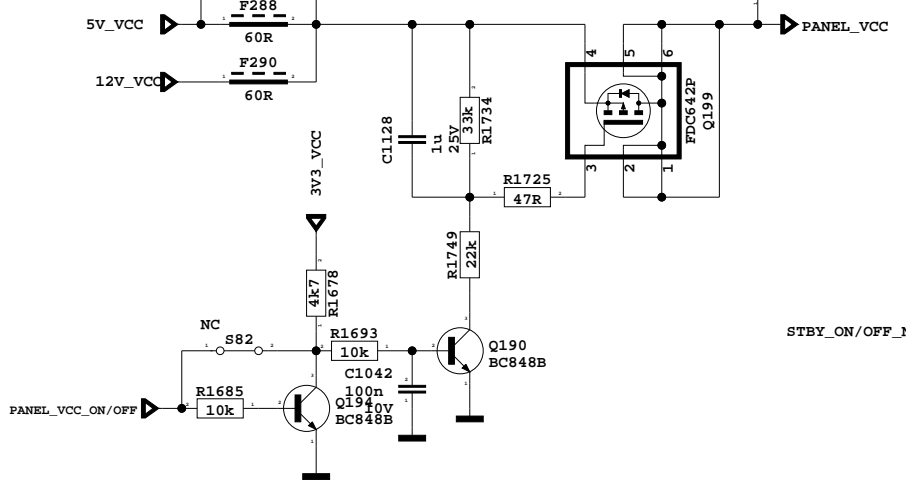
DIMMING CIRCUIT



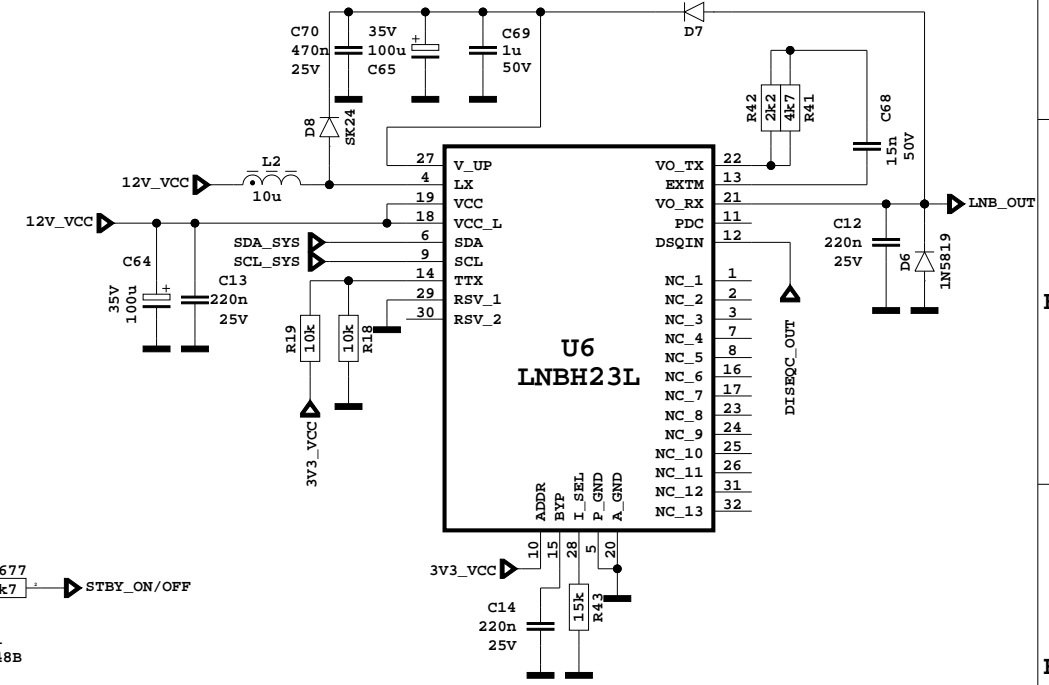
26" to 32" POWER SOCKET



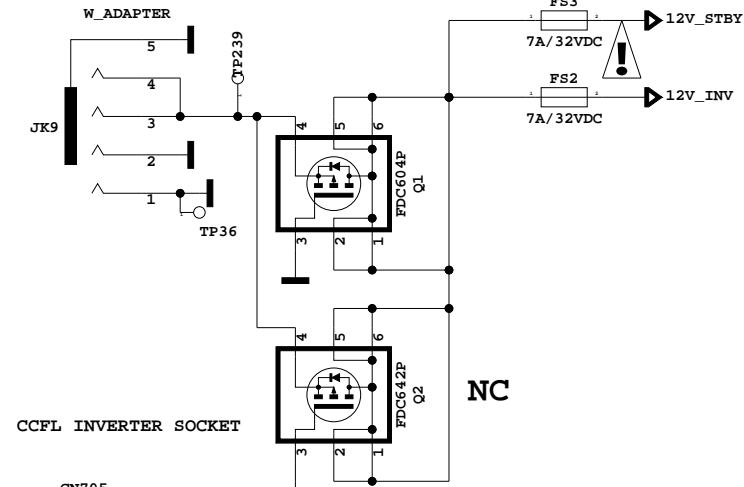
PANEL SUPPLY SWITCH



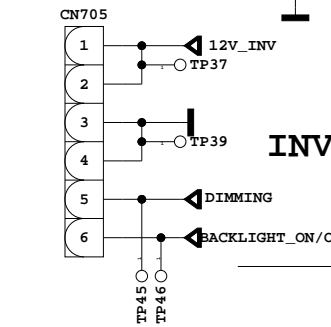
LNB CIRCUIT



ADAPTER SOCKET

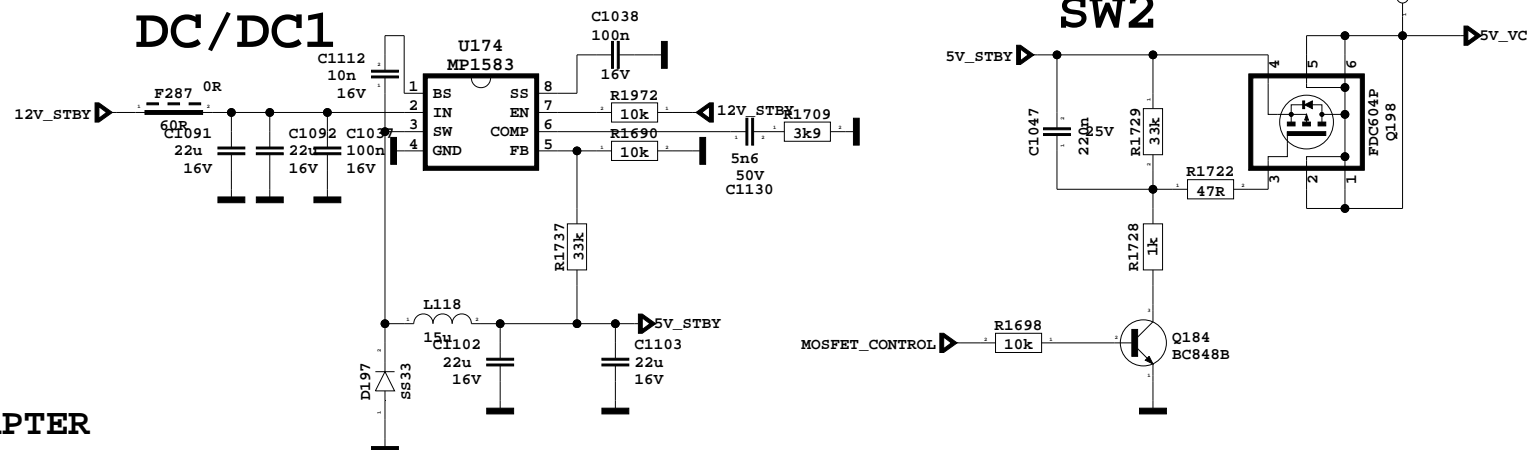


CCFL INVERTER SOCKET

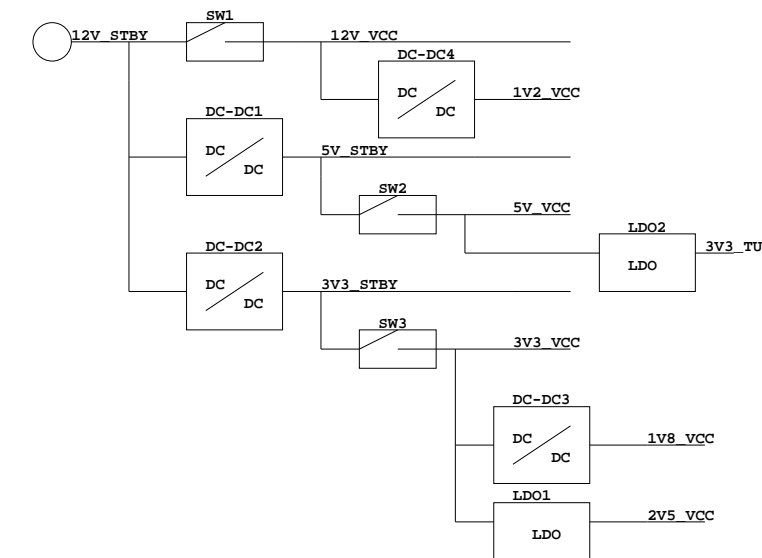


INVERTER SOCKET W/ADAPTER

W/ADAPTOR

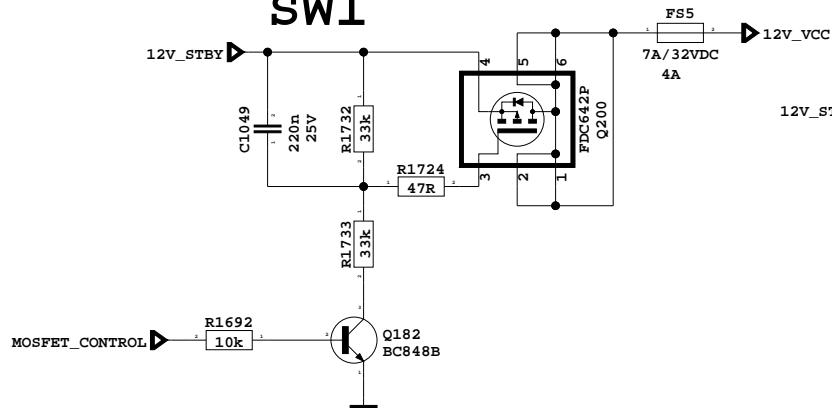


POWER BLOCK DIAGRAM

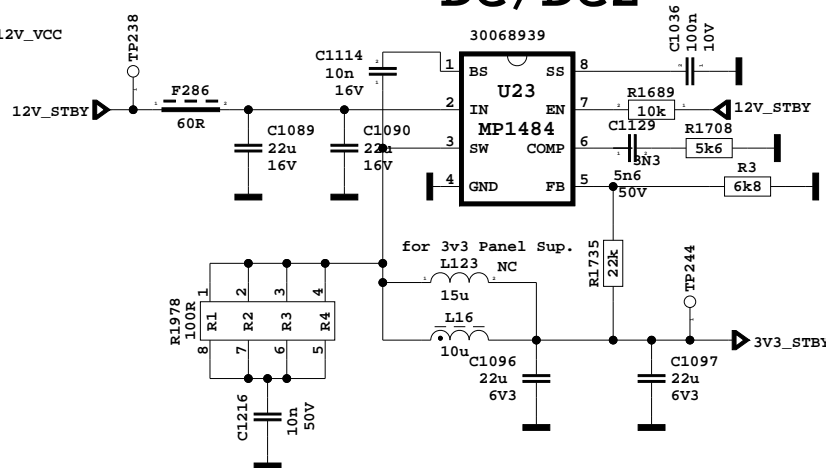


W/ADAPTOR & W/IPS16&17&60&PW25&PW06

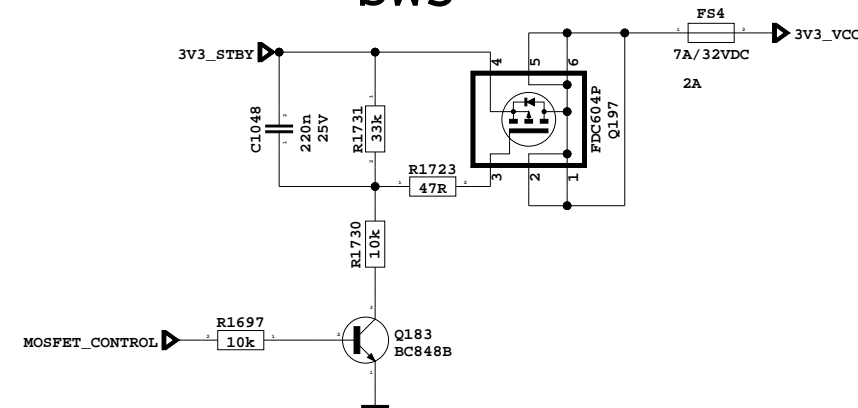
SW1



DC/DC2

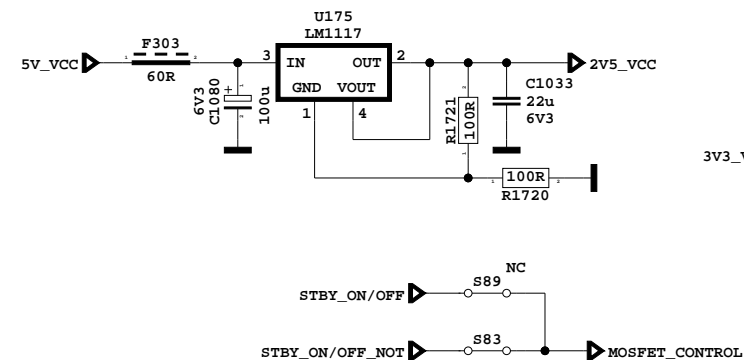


SW3

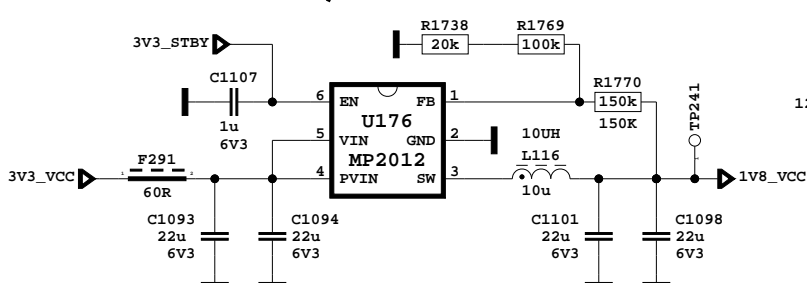


COMMON

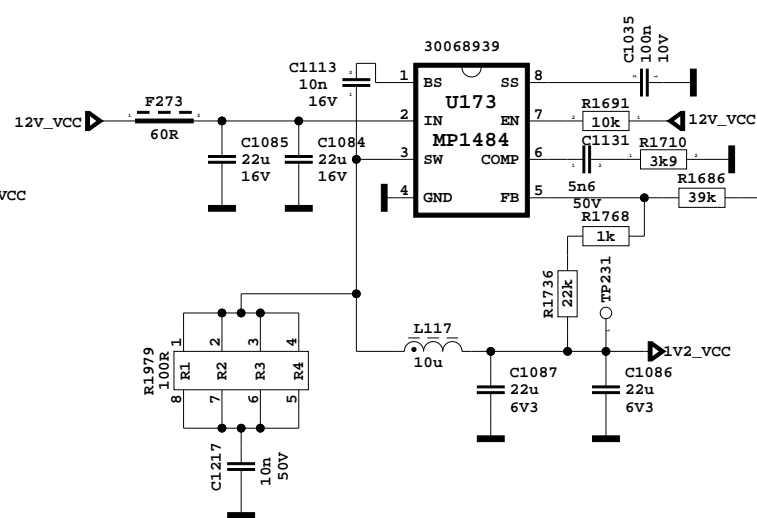
LDO1



DC/DC3



DC/DC4



LDO2

