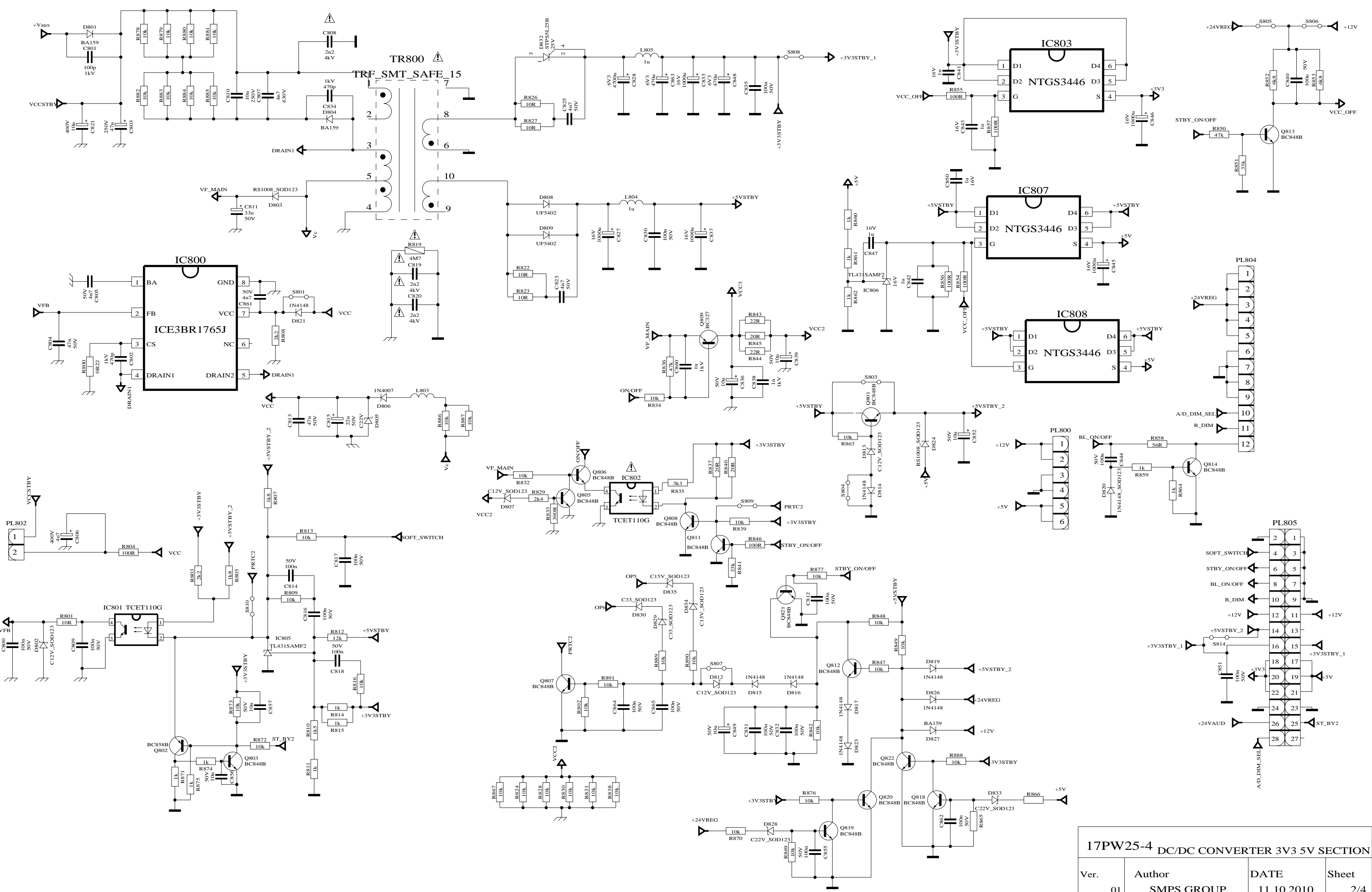


17PW25-4 — PFC FLYBACK PSU SECTION

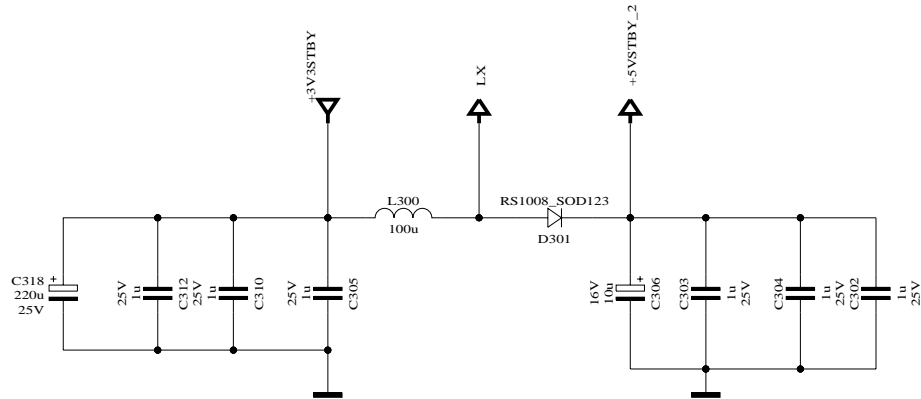
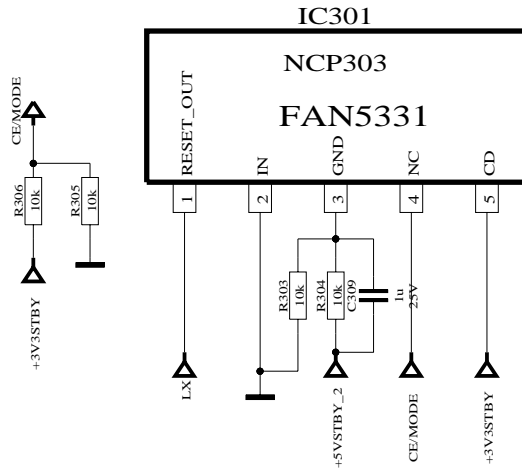
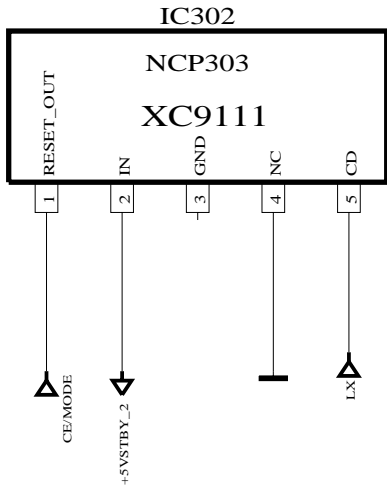
Ver.	Author	DATE	Sheet
01	SMPS GROUP	11-10-2010	1/4



17PW25-4 DC/DC CONVERTER 3V3 5V SECTION

Ver.	Author	DATE	Sheet
01	SMPS GROUP	11.10.2010	2/4

STEP UP DEVRELERI



17PW25-4 DC/DC CONVERTER 4V2 SECTION

Ver.

01

Author

SMPS GROUP

DATE

11.10.2010

Sheet

3/4

TRF_SMPS_SAFE_EE5154_26_32

