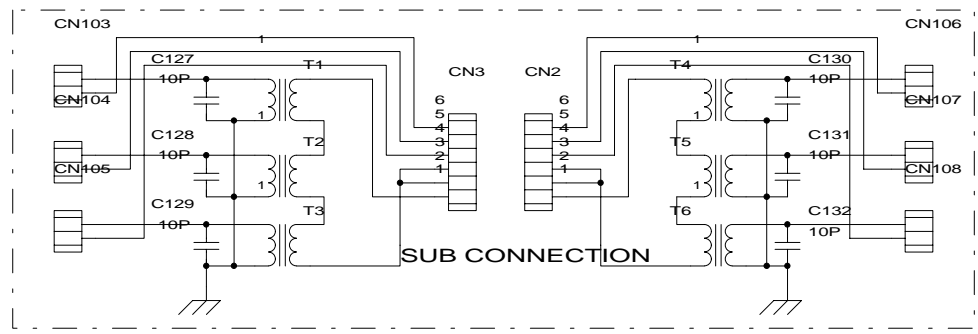
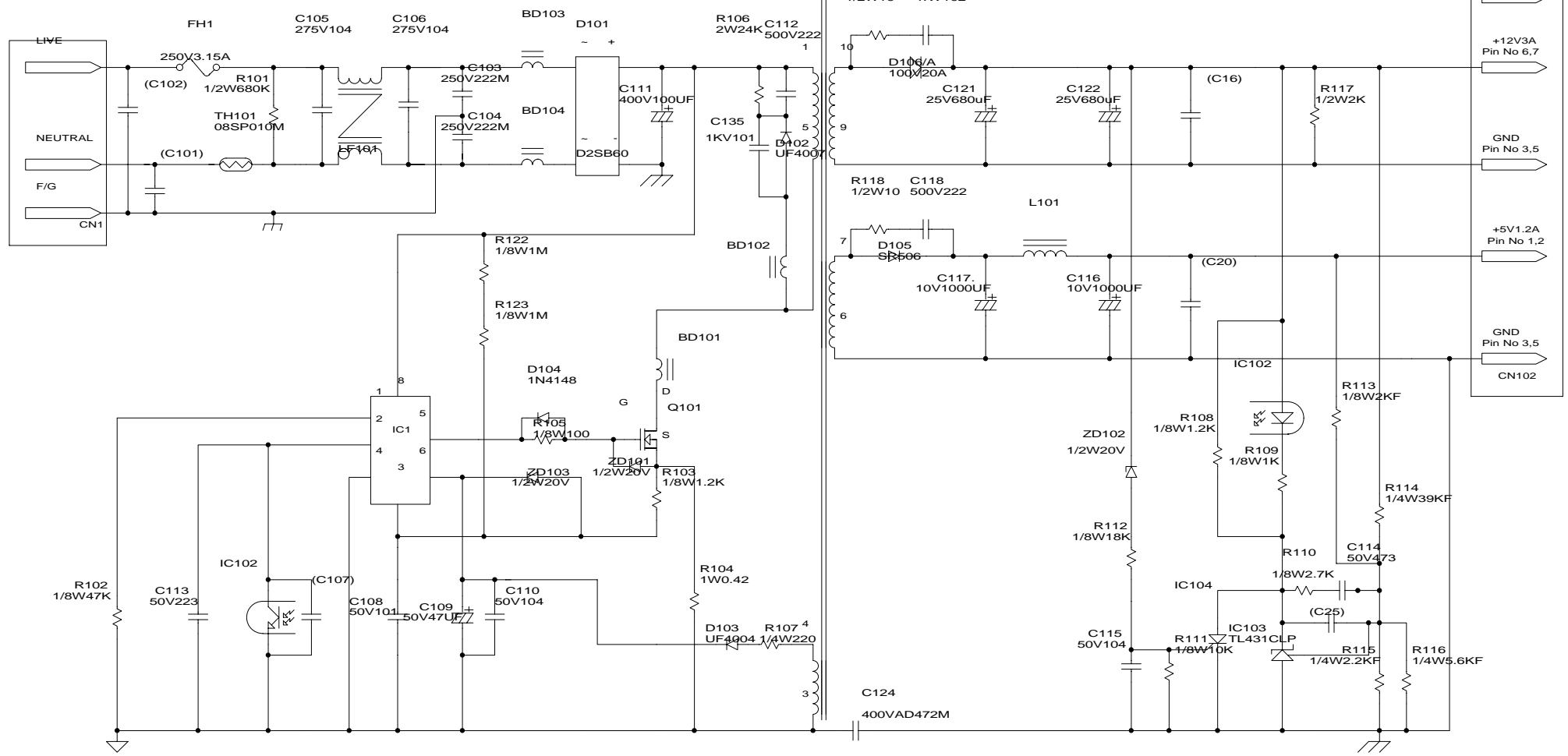
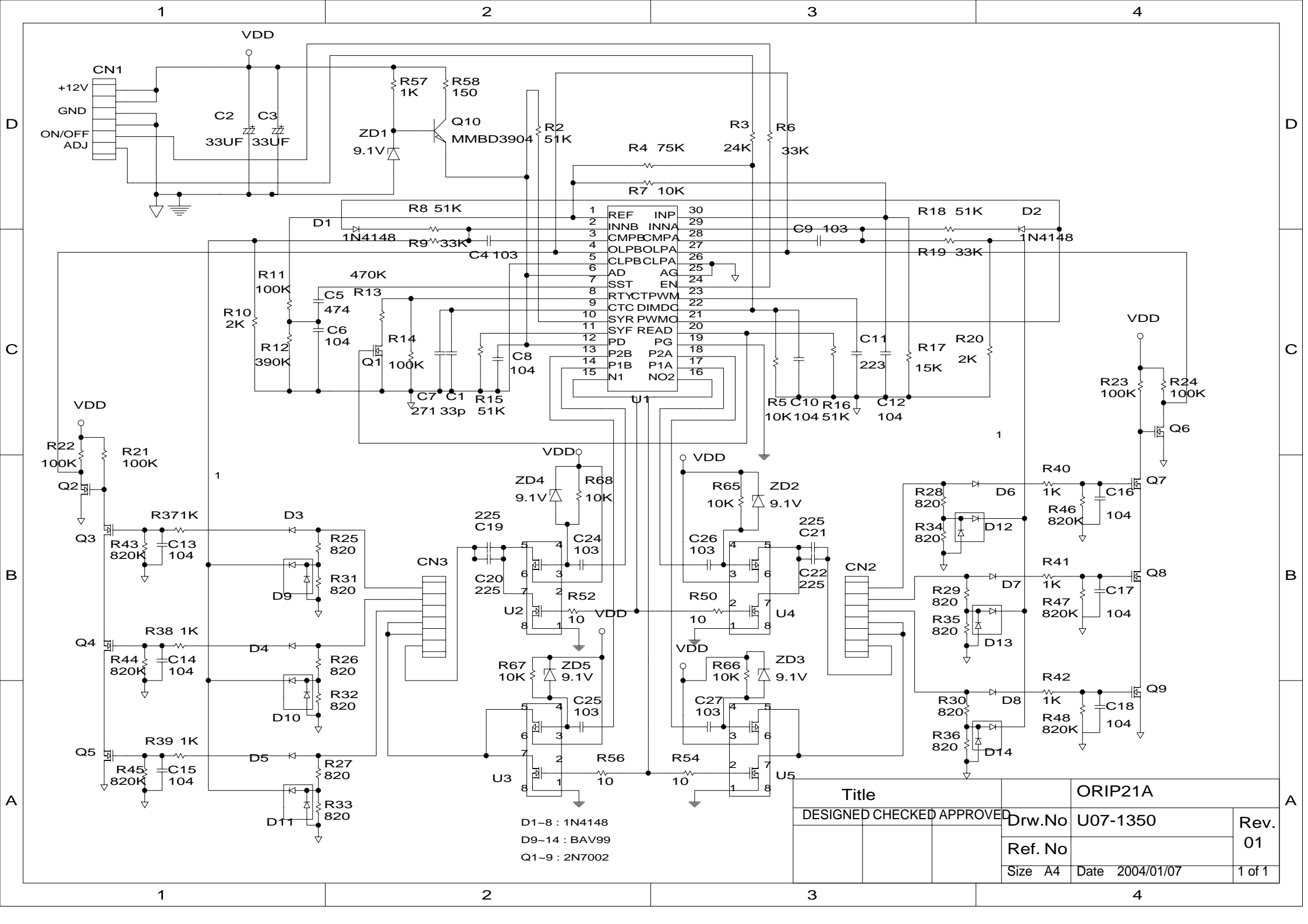


3. SCHEMATIC DIAGRAM



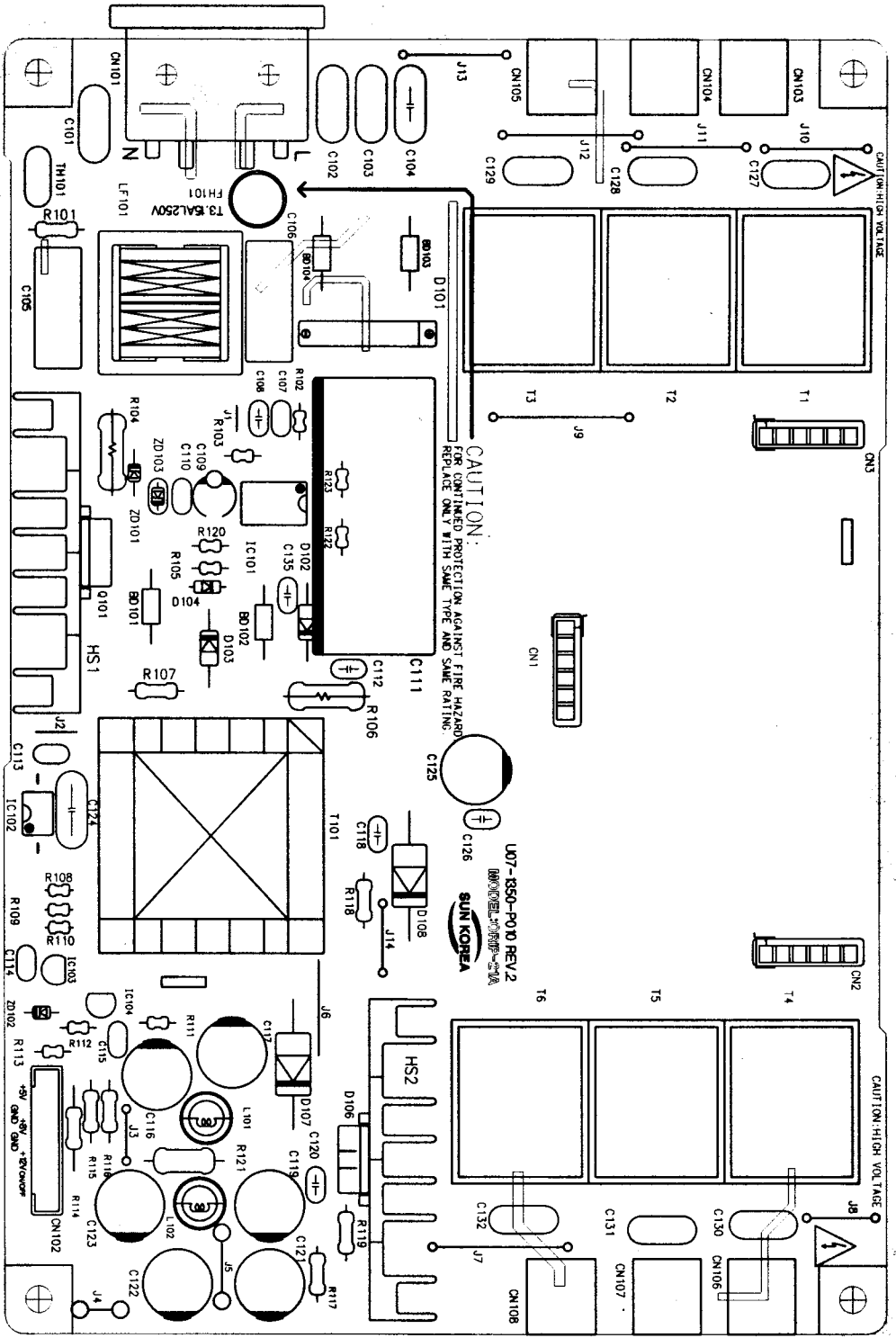
DESIGNED			CHECKED			APPROVED			Drw.No			BSV-2054			rev		
									Ref.No			2004/01/07			1		
									Size			Date			of		



D1-8 : 1N4148
 D9-14 : BAV99
 Q1-9 : 2N7002

Title			ORIP21A	
DESIGNED	CHECKED	APPROVED	Drw.No	U07-1350
			Ref. No	
			Size A4	Date 2004/01/07
				Rev. 01
				1 of 1

4. PCB SILK DIAGRAM

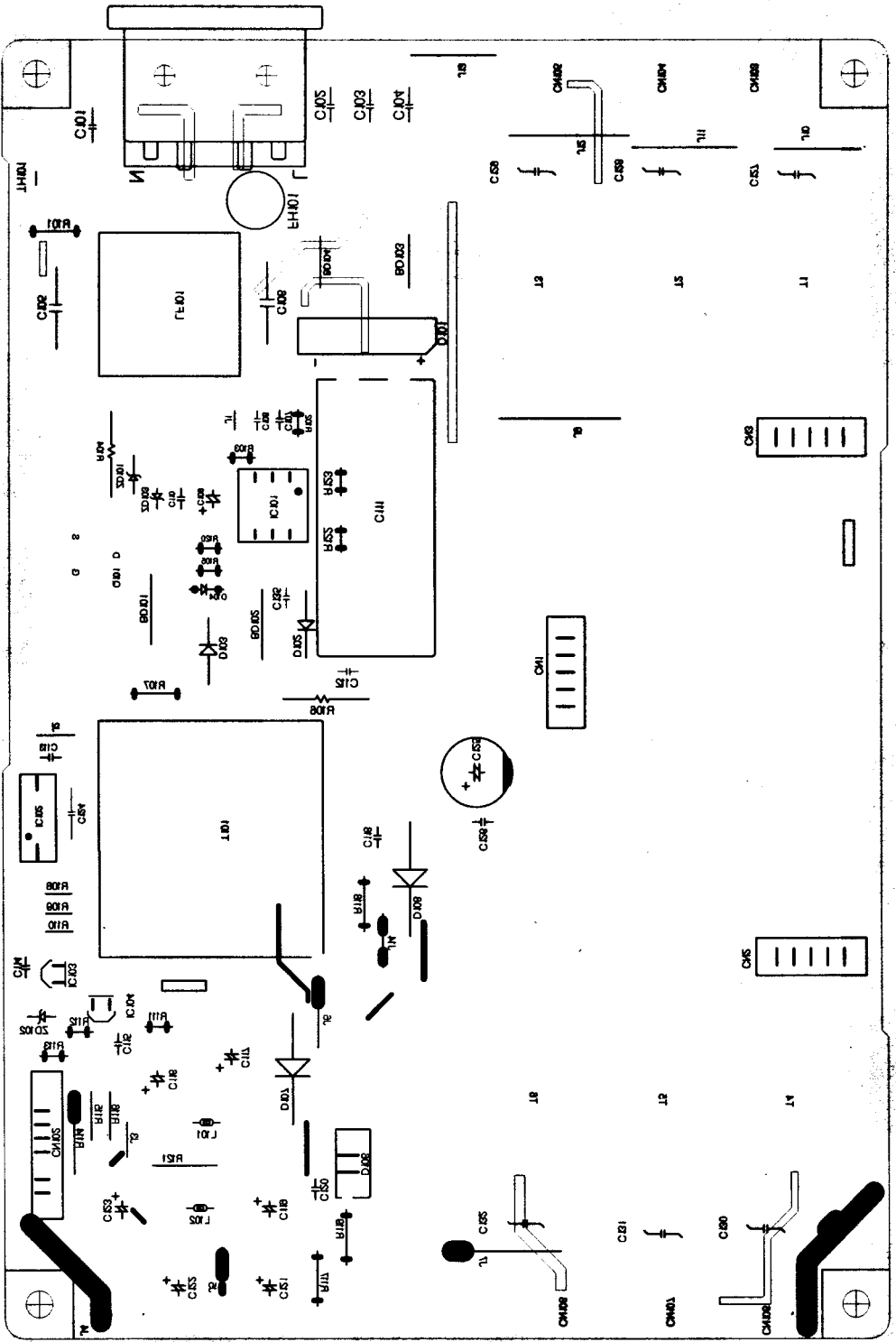


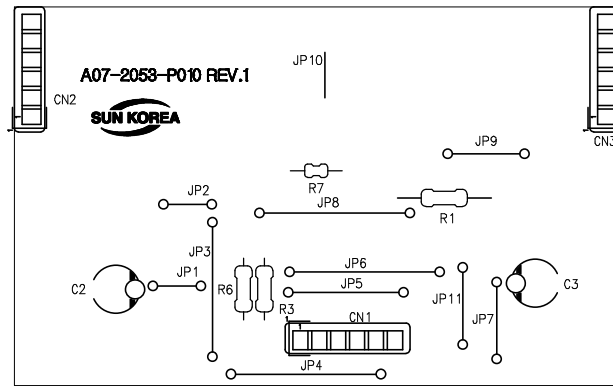
CAUTION:
 FOR CONTINUED PROTECTION AGAINST FIRE HAZARD,
 REPLACE ONLY WITH SAME TYPE AND SAME RATING.

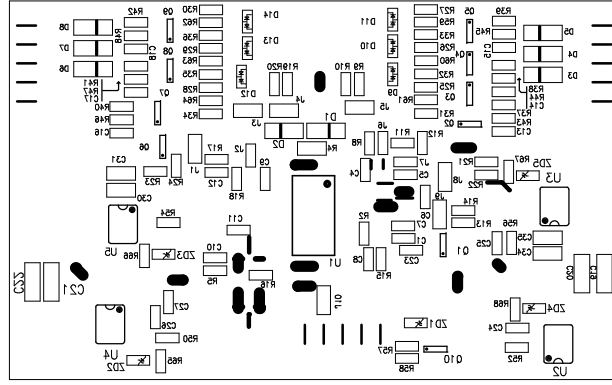
U07-850-P010 REV.2
 SUN KOREA
 MODEL: 850P-010

CAUTION-HIGH VOLTAGE

CAUTION-HIGH VOLTAGE







5. PCB PATTERN DIAGRAM

