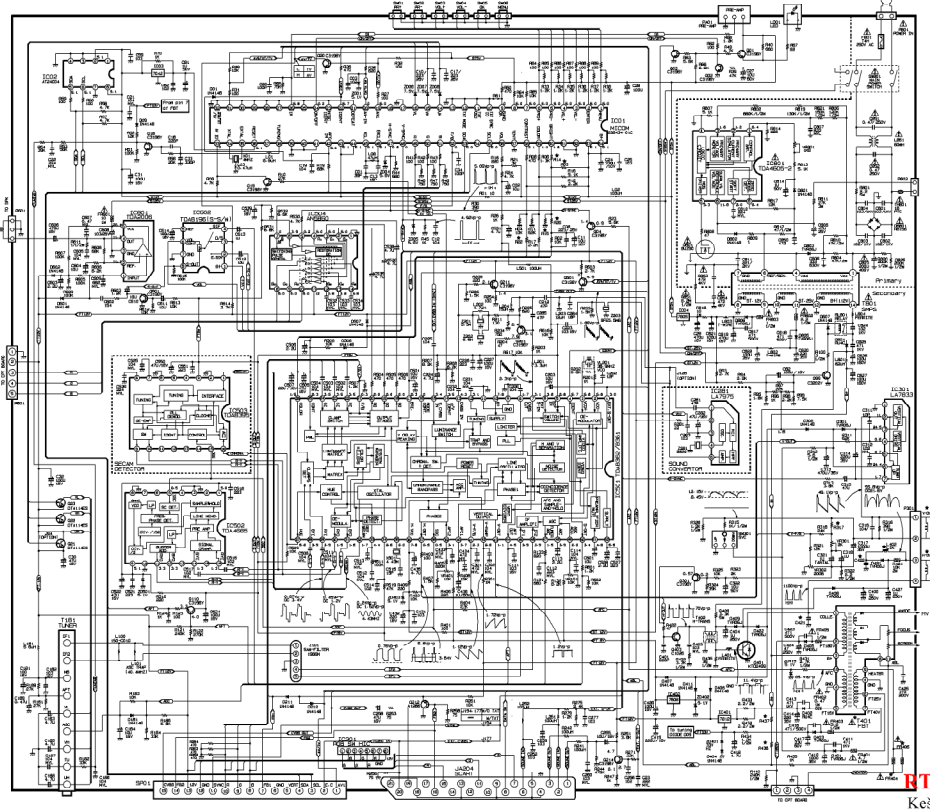


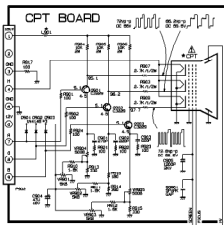
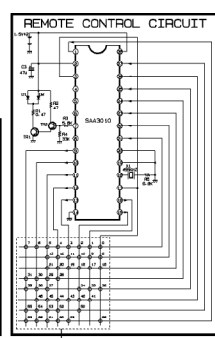
ВНИМАНИЕ!!!Эта схема НЕ предназначена для продажи на дисках.Схему можно свободно получить на сайте "www.radiolom.by.ru"(www.hot.ce/juden001/).Если Вы её купили на болванке,то Вас капитально набили!Не поддерживайте этих пидоров-торговцев краденным!!!
WARNING!!!This scheme not for selling on CDs,it's possible liberally get on put www.radiolom.by.ru.If You have sold this scheme on CD,that You have well defrauded.Do Not buy the thieved belongings!The Death thief!

SCHEMATIC DIAGRAM (PC-31A)



• THE TABLE OF INCH CONVERSION

INCHES	MILLIMETERS	CENTIMETERS
0.1	2.54	0.39
0.2	5.08	0.79
0.3	7.62	1.18
0.4	10.16	1.57
0.5	12.70	1.96
0.6	15.24	2.35
0.7	17.78	2.74
0.8	20.32	3.13
0.9	22.86	3.52
1.0	25.40	3.91
1.1	27.94	4.30
1.2	30.48	4.69
1.3	33.02	5.08
1.4	35.56	5.47
1.5	38.10	5.86
1.6	40.64	6.25
1.7	43.18	6.64
1.8	45.72	7.03
1.9	48.26	7.42
2.0	50.80	7.81
2.1	53.34	8.20
2.2	55.88	8.59
2.3	58.42	8.98
2.4	60.96	9.37
2.5	63.50	9.76
2.6	66.04	10.15
2.7	68.58	10.54
2.8	71.12	10.93
2.9	73.66	11.32
3.0	76.20	11.71
3.1	78.74	12.10
3.2	81.28	12.49
3.3	83.82	12.88
3.4	86.36	13.27
3.5	88.90	13.66
3.6	91.44	14.05
3.7	93.98	14.44
3.8	96.52	14.83
3.9	99.06	15.22
4.0	101.60	15.61
4.1	104.14	16.00
4.2	106.68	16.39
4.3	109.22	16.78
4.4	111.76	17.17
4.5	114.30	17.56
4.6	116.84	17.95
4.7	119.38	18.34
4.8	121.92	18.73
4.9	124.46	19.12
5.0	127.00	19.51
5.1	129.54	19.90
5.2	132.08	20.29
5.3	134.62	20.68
5.4	137.16	21.07
5.5	139.70	21.46
5.6	142.24	21.85
5.7	144.78	22.24
5.8	147.32	22.63
5.9	149.86	23.02
6.0	152.40	23.41
6.1	154.94	23.80
6.2	157.48	24.19
6.3	160.02	24.58
6.4	162.56	24.97
6.5	165.10	25.36
6.6	167.64	25.75
6.7	170.18	26.14
6.8	172.72	26.53
6.9	175.26	26.92
7.0	177.80	27.31
7.1	180.34	27.70
7.2	182.88	28.09
7.3	185.42	28.48
7.4	187.96	28.87
7.5	190.50	29.26
7.6	193.04	29.65
7.7	195.58	30.04
7.8	198.12	30.43
7.9	200.66	30.82
8.0	203.20	31.21
8.1	205.74	31.60
8.2	208.28	31.99
8.3	210.82	32.38
8.4	213.36	32.77
8.5	215.90	33.16
8.6	218.44	33.55
8.7	220.98	33.94
8.8	223.52	34.33
8.9	226.06	34.72
9.0	228.60	35.11
9.1	231.14	35.50
9.2	233.68	35.89
9.3	236.22	36.28
9.4	238.76	36.67
9.5	241.30	37.06
9.6	243.84	37.45
9.7	246.38	37.84
9.8	248.92	38.23
9.9	251.46	38.62
10.0	254.00	39.01



• THE TABLE OF RECEIVING SYSTEM

RECEIVING SYSTEM	FREQ. (MHz)	FREQ. (kHz)	WAVELENGTH (m)	REMARKS
FM	88.0	88000	3.41	FM STEREO
FM	91.0	91000	3.30	FM STEREO
FM	94.0	94000	3.19	FM STEREO
FM	97.0	97000	3.09	FM STEREO
FM	100.0	100000	2.98	FM STEREO
FM	103.0	103000	2.89	FM STEREO
FM	106.0	106000	2.80	FM STEREO
FM	109.0	109000	2.72	FM STEREO
FM	112.0	112000	2.64	FM STEREO
FM	115.0	115000	2.57	FM STEREO
FM	118.0	118000	2.50	FM STEREO
FM	121.0	121000	2.44	FM STEREO
FM	124.0	124000	2.38	FM STEREO
FM	127.0	127000	2.33	FM STEREO
FM	130.0	130000	2.28	FM STEREO
FM	133.0	133000	2.24	FM STEREO
FM	136.0	136000	2.20	FM STEREO
FM	139.0	139000	2.16	FM STEREO
FM	142.0	142000	2.13	FM STEREO
FM	145.0	145000	2.09	FM STEREO
FM	148.0	148000	2.06	FM STEREO
FM	151.0	151000	2.02	FM STEREO
FM	154.0	154000	1.99	FM STEREO
FM	157.0	157000	1.96	FM STEREO
FM	160.0	160000	1.92	FM STEREO
FM	163.0	163000	1.89	FM STEREO
FM	166.0	166000	1.86	FM STEREO
FM	169.0	169000	1.83	FM STEREO
FM	172.0	172000	1.80	FM STEREO
FM	175.0	175000	1.77	FM STEREO
FM	178.0	178000	1.74	FM STEREO
FM	181.0	181000	1.71	FM STEREO
FM	184.0	184000	1.68	FM STEREO
FM	187.0	187000	1.65	FM STEREO
FM	190.0	190000	1.62	FM STEREO
FM	193.0	193000	1.59	FM STEREO
FM	196.0	196000	1.56	FM STEREO
FM	199.0	199000	1.53	FM STEREO
FM	202.0	202000	1.50	FM STEREO
FM	205.0	205000	1.47	FM STEREO
FM	208.0	208000	1.44	FM STEREO
FM	211.0	211000	1.41	FM STEREO
FM	214.0	214000	1.38	FM STEREO
FM	217.0	217000	1.35	FM STEREO
FM	220.0	220000	1.32	FM STEREO
FM	223.0	223000	1.29	FM STEREO
FM	226.0	226000	1.26	FM STEREO
FM	229.0	229000	1.23	FM STEREO
FM	232.0	232000	1.20	FM STEREO
FM	235.0	235000	1.17	FM STEREO
FM	238.0	238000	1.14	FM STEREO
FM	241.0	241000	1.11	FM STEREO
FM	244.0	244000	1.08	FM STEREO
FM	247.0	247000	1.05	FM STEREO
FM	250.0	250000	1.02	FM STEREO
FM	253.0	253000	0.99	FM STEREO
FM	256.0	256000	0.96	FM STEREO
FM	259.0	259000	0.93	FM STEREO
FM	262.0	262000	0.90	FM STEREO
FM	265.0	265000	0.87	FM STEREO
FM	268.0	268000	0.84	FM STEREO
FM	271.0	271000	0.81	FM STEREO
FM	274.0	274000	0.78	FM STEREO
FM	277.0	277000	0.75	FM STEREO
FM	280.0	280000	0.72	FM STEREO
FM	283.0	283000	0.69	FM STEREO
FM	286.0	286000	0.66	FM STEREO
FM	289.0	289000	0.63	FM STEREO
FM	292.0	292000	0.60	FM STEREO
FM	295.0	295000	0.57	FM STEREO
FM	298.0	298000	0.54	FM STEREO
FM	301.0	301000	0.51	FM STEREO
FM	304.0	304000	0.48	FM STEREO
FM	307.0	307000	0.45	FM STEREO
FM	310.0	310000	0.42	FM STEREO
FM	313.0	313000	0.39	FM STEREO
FM	316.0	316000	0.36	FM STEREO
FM	319.0	319000	0.33	FM STEREO
FM	322.0	322000	0.30	FM STEREO
FM	325.0	325000	0.27	FM STEREO
FM	328.0	328000	0.24	FM STEREO
FM	331.0	331000	0.21	FM STEREO
FM	334.0	334000	0.18	FM STEREO
FM	337.0	337000	0.15	FM STEREO
FM	340.0	340000	0.12	FM STEREO
FM	343.0	343000	0.09	FM STEREO
FM	346.0	346000	0.06	FM STEREO
FM	349.0	349000	0.03	FM STEREO
FM	352.0	352000	0.00	FM STEREO

• TEXT LANGUAGE & MODE OPTION FOR U-DOM IC1001

TEXT LANGUAGE	MODE OPTION	REMARKS
FRN 1	U-DOM	U-DOM
FRN 2	U-DOM	U-DOM
FRN 3	U-DOM	U-DOM
FRN 4	U-DOM	U-DOM
FRN 5	U-DOM	U-DOM
FRN 6	U-DOM	U-DOM
FRN 7	U-DOM	U-DOM
FRN 8	U-DOM	U-DOM
FRN 9	U-DOM	U-DOM
FRN 10	U-DOM	U-DOM
FRN 11	U-DOM	U-DOM
FRN 12	U-DOM	U-DOM
FRN 13	U-DOM	U-DOM
FRN 14	U-DOM	U-DOM
FRN 15	U-DOM	U-DOM
FRN 16	U-DOM	U-DOM
FRN 17	U-DOM	U-DOM
FRN 18	U-DOM	U-DOM
FRN 19	U-DOM	U-DOM
FRN 20	U-DOM	U-DOM
FRN 21	U-DOM	U-DOM
FRN 22	U-DOM	U-DOM
FRN 23	U-DOM	U-DOM
FRN 24	U-DOM	U-DOM
FRN 25	U-DOM	U-DOM
FRN 26	U-DOM	U-DOM
FRN 27	U-DOM	U-DOM
FRN 28	U-DOM	U-DOM
FRN 29	U-DOM	U-DOM
FRN 30	U-DOM	U-DOM
FRN 31	U-DOM	U-DOM
FRN 32	U-DOM	U-DOM
FRN 33	U-DOM	U-DOM
FRN 34	U-DOM	U-DOM
FRN 35	U-DOM	U-DOM
FRN 36	U-DOM	U-DOM
FRN 37	U-DOM	U-DOM
FRN 38	U-DOM	U-DOM
FRN 39	U-DOM	U-DOM
FRN 40	U-DOM	U-DOM
FRN 41	U-DOM	U-DOM
FRN 42	U-DOM	U-DOM
FRN 43	U-DOM	U-DOM
FRN 44	U-DOM	U-DOM
FRN 45	U-DOM	U-DOM
FRN 46	U-DOM	U-DOM
FRN 47	U-DOM	U-DOM
FRN 48	U-DOM	U-DOM
FRN 49	U-DOM	U-DOM
FRN 50	U-DOM	U-DOM
FRN 51	U-DOM	U-DOM
FRN 52	U-DOM	U-DOM
FRN 53	U-DOM	U-DOM
FRN 54	U-DOM	U-DOM
FRN 55	U-DOM	U-DOM
FRN 56	U-DOM	U-DOM
FRN 57	U-DOM	U-DOM
FRN 58	U-DOM	U-DOM
FRN 59	U-DOM	U-DOM
FRN 60	U-DOM	U-DOM
FRN 61	U-DOM	U-DOM
FRN 62	U-DOM	U-DOM
FRN 63	U-DOM	U-DOM
FRN 64	U-DOM	U-DOM
FRN 65	U-DOM	U-DOM
FRN 66	U-DOM	U-DOM
FRN 67	U-DOM	U-DOM
FRN 68	U-DOM	U-DOM
FRN 69	U-DOM	U-DOM
FRN 70	U-DOM	U-DOM
FRN 71	U-DOM	U-DOM
FRN 72	U-DOM	U-DOM
FRN 73	U-DOM	U-DOM
FRN 74	U-DOM	U-DOM
FRN 75	U-DOM	U-DOM
FRN 76	U-DOM	U-DOM
FRN 77	U-DOM	U-DOM
FRN 78	U-DOM	U-DOM
FRN 79	U-DOM	U-DOM
FRN 80	U-DOM	U-DOM
FRN 81	U-DOM	U-DOM
FRN 82	U-DOM	U-DOM
FRN 83	U-DOM	U-DOM
FRN 84	U-DOM	U-DOM
FRN 85	U-DOM	U-DOM
FRN 86	U-DOM	U-DOM
FRN 87	U-DOM	U-DOM
FRN 88	U-DOM	U-DOM
FRN 89	U-DOM	U-DOM
FRN 90	U-DOM	U-DOM
FRN 91	U-DOM	U-DOM
FRN 92	U-DOM	U-DOM
FRN 93	U-DOM	U-DOM
FRN 94	U-DOM	U-DOM
FRN 95	U-DOM	U-DOM
FRN 96	U-DOM	U-DOM
FRN 97	U-DOM	U-DOM
FRN 98	U-DOM	U-DOM
FRN 99	U-DOM	U-DOM
FRN 100	U-DOM	U-DOM

• NET MATRIX TABLE

NET NO.	NET NAME	NET VALUE	REMARKS
1	NET 1	100K	
2	NET 2	100K	
3	NET 3	100K	
4	NET 4	100K	
5	NET 5	100K	
6	NET 6	100K	
7	NET 7	100K	
8	NET 8	100K	
9	NET 9	100K	
10	NET 10	100K	
11	NET 11	100K	
12	NET 12	100K	
13	NET 13	100K	
14	NET 14	100K	
15	NET 15	100K	
16	NET 16	100K	
17	NET 17	100K	
18	NET 18	100K	