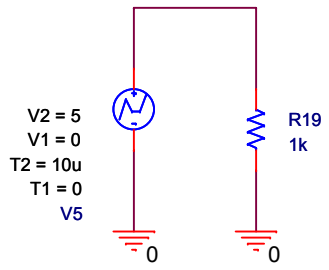


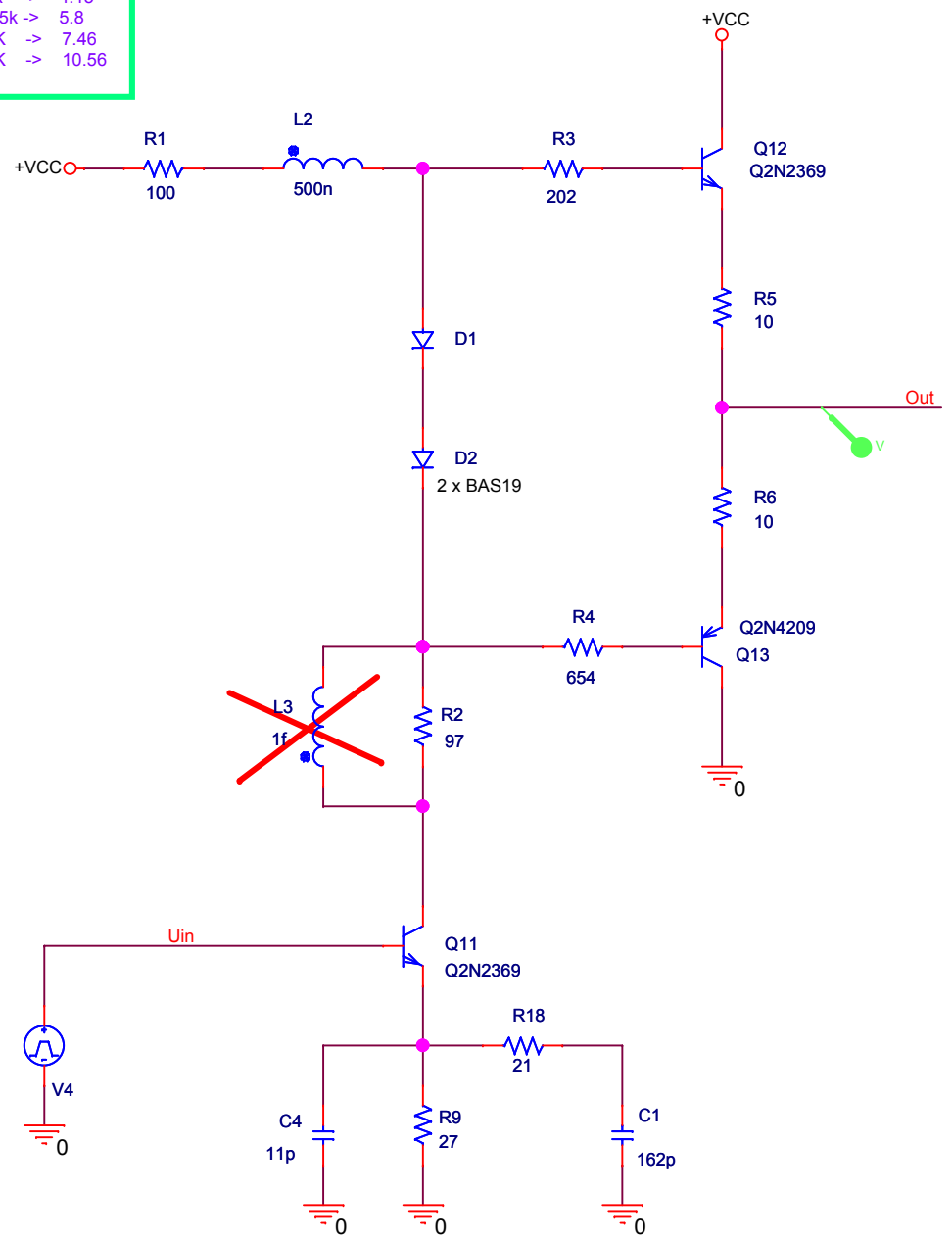
Erősítés

MEGJ (Uin=0.7V):	
R1=700	-> A=3.1
= 800	-> 3.4
=1k	-> 4.15
=1.5k	-> 5.8
=2K	-> 7.46
=3K	-> 10.56



PARAMETERS:
tval = 1n

V1 = 0
V2 = 6
TD = 500n
TR = {tval}
TF = {tval}
PW = 3u
PER = 6u



A=1.03
Ton = 570ps
Toff = 970ps