

206 wiring Peugeot diagrams





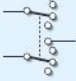









Key to circuits

- [Diagram 1 Information for wiring diagrams](#)
- [Diagram 2 Starting, charging, horn, pre/post-heating](#)
- [Diagram 3 Pre/post heating, engine cooling fan](#)
- [Diagram 4 Engine cooling fan, temp. gauge, seat belt warning light](#)
- [Diagram 5 Warning lights and gauges](#)
- [Diagram 6 Exterior lighting](#)
- [Diagram 7 Exterior lighting continued, buzzer, interior lighting](#)
- [Diagram 8 Interior lighting continued, headlight levelling](#)
- [Diagram 9 Clock, cigar lighter, sunroof, audio system](#)
- [Diagram 10 Audio system, electric windows](#)
- [Diagram 11 Rear windows, heated rear window and mirrors](#)
- [Diagram 12 Wash/wipe system, ABS](#)
- [Diagram 13 Central locking](#)
- [Diagram 14 Airbags, heater blower, air conditioning](#)
- [Diagram 15 HDi Diesel engine management \(part 1 of 2\)](#)
- [Diagram 16 HDi Diesel engine management \(part 2 of 2\)](#)
- [Diagram 17 Magneti Marelli MM1AP fuel injection](#)
- [Diagram 18 Bosch MP7.2 fuel injection](#)

Peugeot 206 wiring diagrams

Diagram 1

Key to symbols

Bulb		Item no.	
Switch		Pump/motor	
Multiple contact switch (ganged)		Earth and location	
Fuse/fusible link		Gauge/meter	
Resistor		Diode	
Variable resistor		Wire splice or soldered joint	
Connecting wires		Solenoid actuator	

Light emitting diode (LED)



Wire identifier and colour (Orange). Note: colours may not resemble actual vehicle due to variations in production!

CC05 (OR)

Connections to other circuits. Direction of arrow denotes current flow.



Screened cable



Dashed outline denotes part of a larger item, containing in this case an electronic or solid state device.

C2 - connector pin identification.
2VE - 2 pin green connector.



Key to circuits

<i>Diagram 1</i>	Information for wiring diagrams
<i>Diagram 2</i>	Starting, charging, horn, pre/post-heating
<i>Diagram 3</i>	Pre/post heating, engine cooling fan
<i>Diagram 4</i>	Engine cooling fan, temp. gauge, seat belt warning light
<i>Diagram 5</i>	Warning lights and gauges
<i>Diagram 6</i>	Exterior lighting
<i>Diagram 7</i>	Exterior lighting continued, buzzer, interior lighting
<i>Diagram 8</i>	Interior lighting continued, headlight levelling
<i>Diagram 9</i>	Clock, cigar lighter, sunroof, audio system
<i>Diagram 10</i>	Audio system, electric windows
<i>Diagram 11</i>	Rear windows, heated rear window and mirrors
<i>Diagram 12</i>	Wash/wipe system, ABS
<i>Diagram 13</i>	Central locking
<i>Diagram 14</i>	Airbags, heater blower, air conditioning
<i>Diagram 15</i>	HDi Diesel engine management (part 1 of 2)
<i>Diagram 16</i>	HDi Diesel engine management (part 2 of 2)
<i>Diagram 17</i>	Magneti Marelli MM1AP fuel injection
<i>Diagram 18</i>	Bosch MP7.2 fuel injection

4 Engine fuse box

Fuse Rating Circuit protected

MF1	70A	Built in systems interface supply
MF2	40A	Fan
MF3	-	Additional heating
MF4	-	Spare
MF8	70A	Supply passenger comp. fuse box
MF9	50A	Built in systems interface supply
MF10	40A	Main and dipped beam
MF11	60A	Supply passenger comp. fuse box (models with rear power windows)
MF12	50A	Ignition switch power supply
MF13	40A	Ignition switch power supply
MF16	30A	ABS
MF17	30A	ABS
F5	20/30A	Horn, sidelights, front foglight
F6	10/20A	Heated seats, heating, ventilation, running lights
F7	5/20A	Fan
F14	5/30A	Running lights, headlight wash, diagnostic socket
F18	-	Spare
F19	-	Spare
F20	-	Spare
F21	5A	Coolant thermostat, heating, ventilation
F22	-	Spare
F23	5A	ABS
F24	5A	Engine management, pre-heat unit, air flow sensor
F25	10A	Fuel pump
F26	10/30A	Engine man. fuel pump, oxygen sensor, EGR
F27	-	Engine man.
F28	5A	Throttle housing heater
F29	30A	Air pump
F30	10A	RH foglight, foglight warning light
F31	10A	LH foglight
F32	10A	Reversing lights, vehicle speed sensor, diesel pump, auto. gearbox electrohydraulic block, additional heating
F33	10A	Automatic gearbox
F34	5/15A	Oxygen sensor

5 Passenger fuse box (28 fuse)

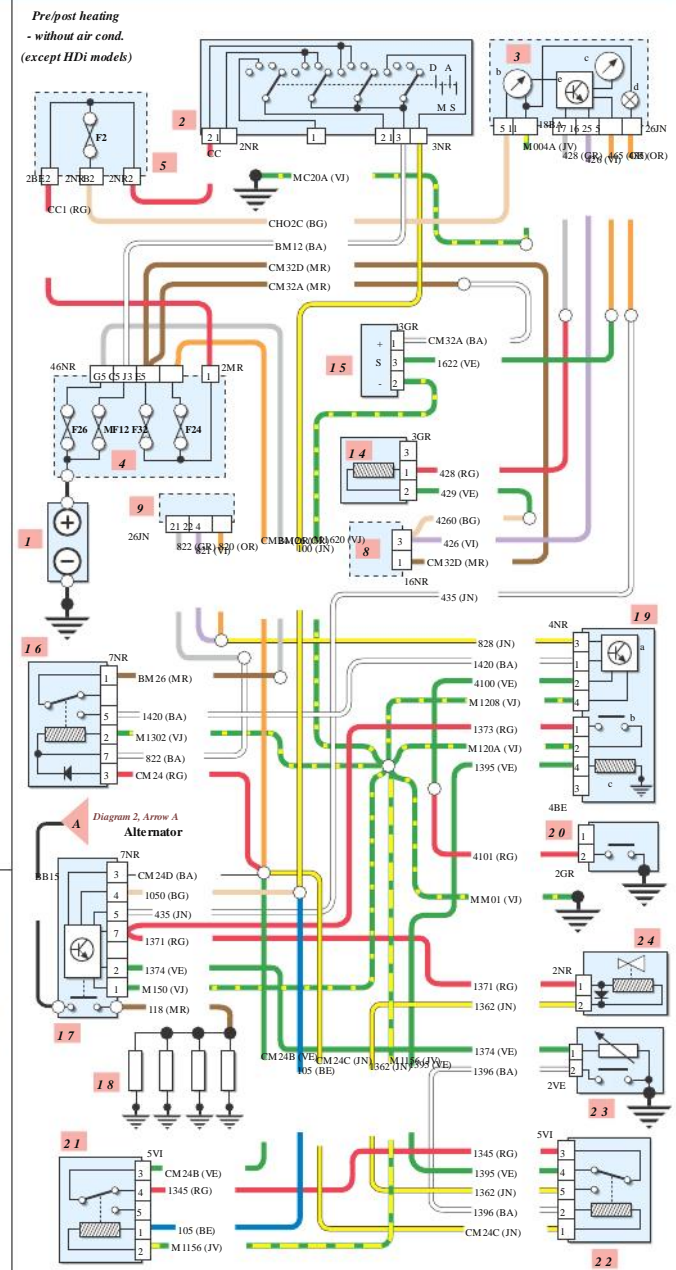
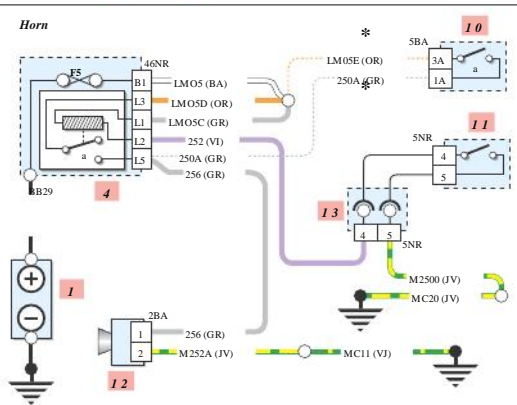
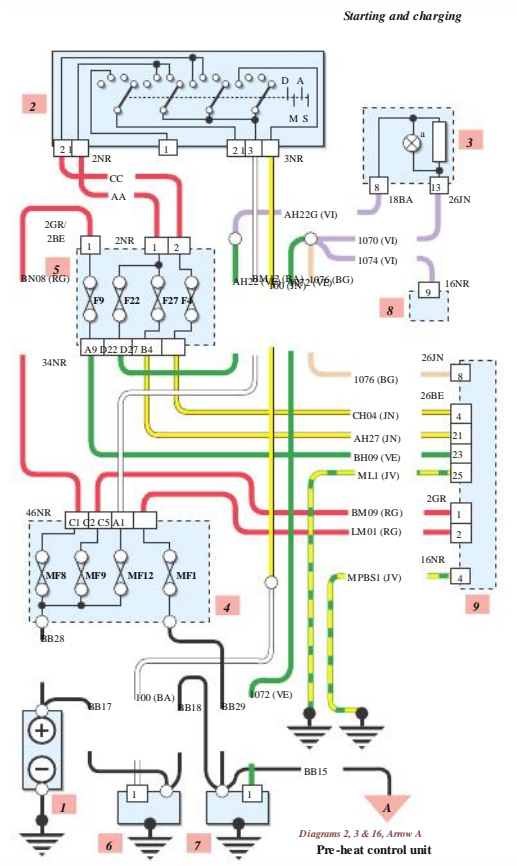
F1	SH	Pretensioner unit, front and side airbags, BSI supply
F2	5A	Instrument cluster
F3	-	Spare
F4	5A	Built in systems interface (BSI)
F5	-	Spare
F6	5A	Engine management control unit, immobiliser
F7	15A	Spare
F8	10A	Coolant temp. unit, instrument panel, hazard warning, clock, multi/func. display, courtesy light
F9	5A	Built in systems interface (BSI)
F10	-	Spare
F11	10A	LH stop light, high level stop light
F12	10A	RH stop light
F13	-	Spare
F14	30A	Rear electric windows
F15	20A	Luggage compartment illumination, tow-bar supply
F16	-	Spare
F17	-	Spare
F18	10A	Number plate light, lighter illumination, clock, multifunction display, interior illum.
F19	5A	Rear foglights
F20	-	Spare
F21	-	Spare
F22	10A	Glove box light, map reading light, courtesy light, clock or multi/func. display, instrument panel, on-board navigation system, rear electric windows, rain sensor
F23	20A	Cigar lighter
F24	15A	Radio
F25	20A	Windscreen wiper and rear wiper
F26	-	Spare
F27	5A	Built in systems interface (BSI)
F28	-	Spare

25 Passenger fuse box (12 fuse)

F29	10A	LH main beam
F30	10A	RH main beam, main beam warning light
F31	10A	LH dipped beam
F32	10A	RH dipped beam, dipped beam warning light
F33	5A	Headlight wash
F34	10A	LH side/tail light
F35	10A	RH side/tail light
F36	-	Spare
F37	5A	Coolant temperature unit
F38	5A	Fan, pressostat
F39	-	Spare
F40	20/40A	Heating, ventilation

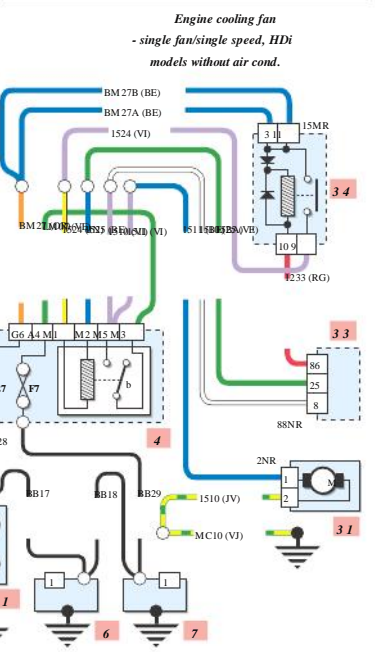
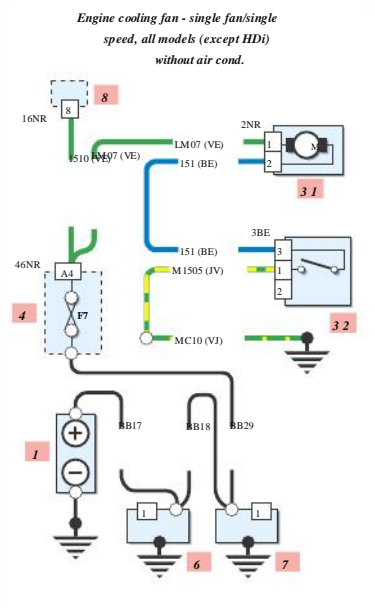
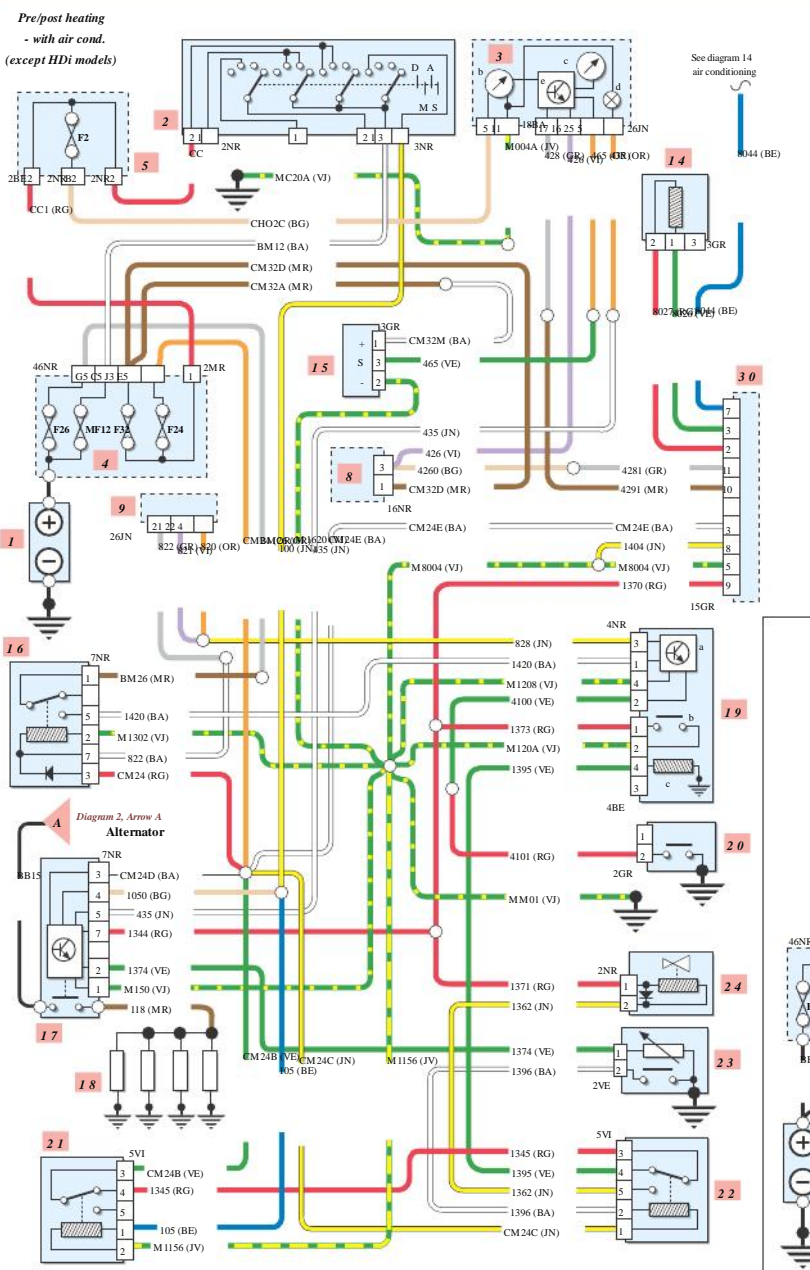
H32036

Wire colours		Key to items			Diagram 2		
BA White	OR Orange	1 Battery	5 Passenger fusebox (28 fuse)	14 TDC sensor	21 Post heat relay		
BE Blue	RG Red	2 Ignition switch	6 Starter motor	15 Vehicle speed sensor	22 EGR function supply relay		
BG Beige	RS Pink	3 Instrument cluster	7 Alternator	16 Injection supply relay	23 Post heat thermal switch		
GR Grey	VE Green	a = alternator warning light	8 Diagnostic connector	17 Pre-heat control unit	24 EGR valve		
JN Yellow	VI Mauve	b = speedometer	9 Built in systems interface (BSI)	18 Glow plugs			
JN Yellow	VI Mauve	c = tachometer	10 Multifunction switch	19 Diesel injection pump			
MR Brown	VJ Green/ Yellow	d = glow plug warning light	a = horn switch	a = control unit			
NR Black	Yellow	e = control unit	11 Horn switch	b = EGR load lever switch			
		4 Engine fusebox	12 Horn	c = advance correction solenoid			
		* Alternative wiring	13 Steering wheel rotary connector	20 Oil pressure switch			



Wire colours		Key to items		Diagram 3	
BA White	OR Orange	1 Battery	5 Passenger fusebox (28 fuse)	18 Glow plugs	24 EGR valve
BE Blue	RG Red	2 Ignition switch	6 Starter motor	19 Diesel injection pump	30 A/c cond. cut-off control unit
BG Beige	RS Pink	3 Instrument cluster	7 Alternator	a = control unit	31 Cooling fan motor
GR Grey	VE Green	b = speedometer	8 Diagnostic connector	b = EGR load lever switch	32 Cooling fan thermal switch
JN Yellow	VI Mauve	c = tachometer	9 Built in systems interface (BSI)	c = advance correction solenoid	33 Diesel engine management ECU
MR Brown	VJ Green/Yellow	d = glow plug warning light	14 TDC sensor	20 Oil pressure switch	34 Engine management double function relay
NR Black	Yellow	e = control unit	15 Vehicle speed sensor	21 Post heat relay	
		4 Engine fusebox	16 Injection supply relay	22 EGR function supply relay	
		b = low speed fan supply relay	17 Pre-heat control unit	23 Post heat thermal switch	

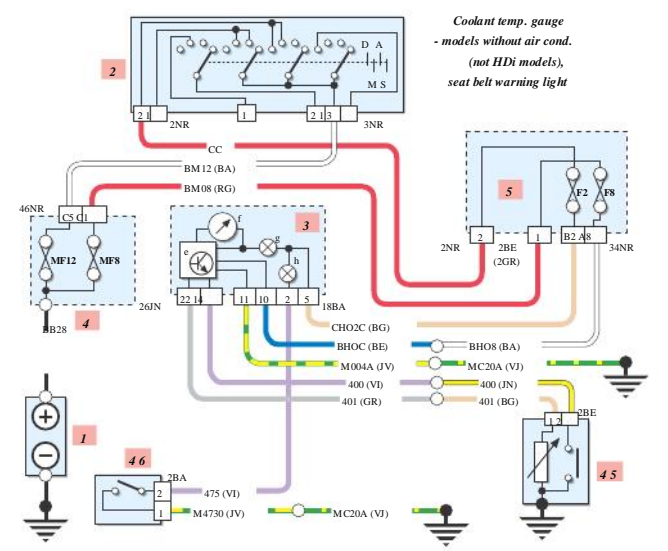
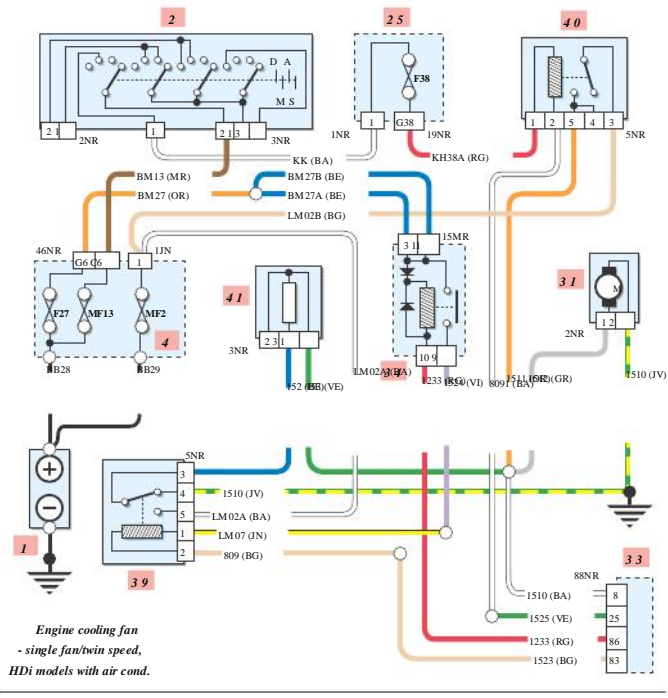
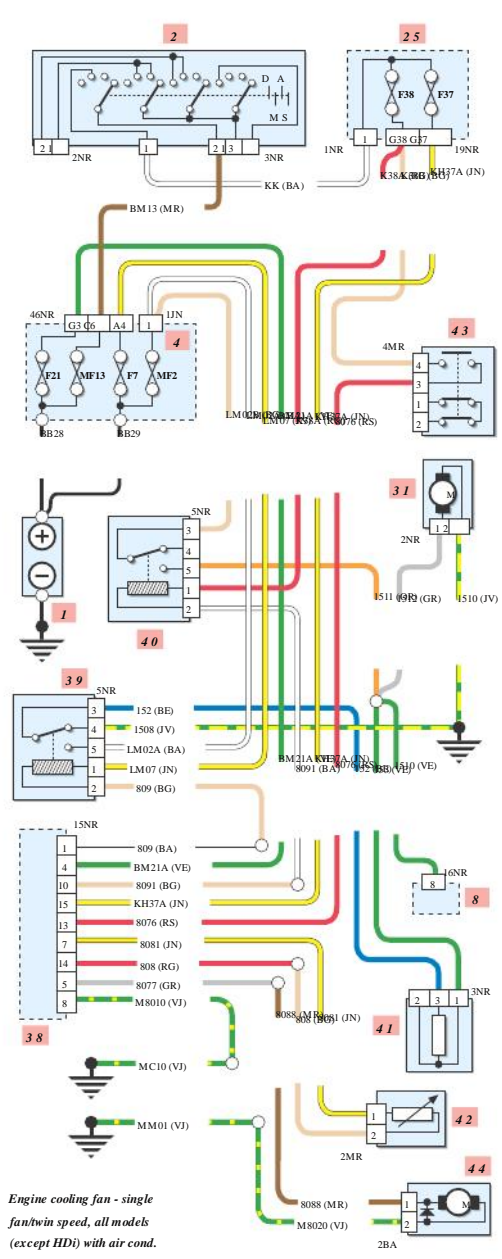
H32038



Wire colours		Key to items		
BA White	OR Orange	1 Battery	5 Passenger fusebox (28 fuse)	40 High speed fan supply relay
BE Blue	RG Red	2 Ignition switch	8 Diagnostic connector	41 Twin speed fan resistor
BG Beige	RS Pink	3 Instrument cluster	25 Passenger fusebox (12 fuse)	42 Air cond. coolant temp. thermostat
GR Grey	VE Green	e = control module	31 Cooling fan motor	43 Pressostat
JN Yellow	VI Mauve	f = coolant temp. gauge	33 Engine management control unit	44 Air cond. compressor
MR Brown	VJ Green/Yellow	g = stop warning light	34 Engine management double function relay	45 Coolant temp. sensor/switch
NR Black	Yellow	h = seat belt warning light	38 Air cond. coolant temp. unit	46 Seat belt switch
		4 Engine fusebox	39 Low speed fan supply relay	

Diagram 4

H32039

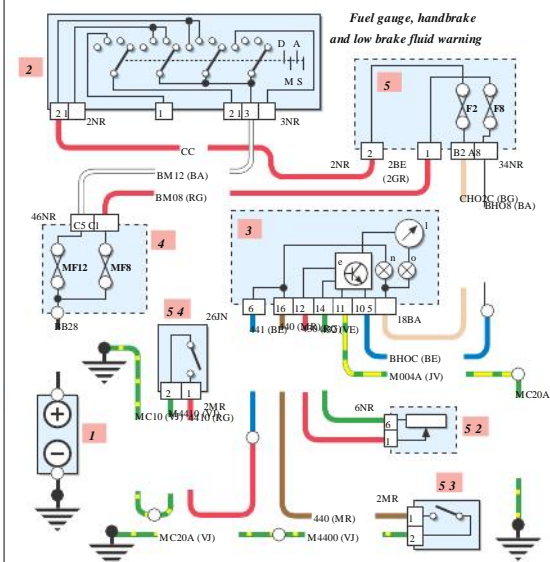
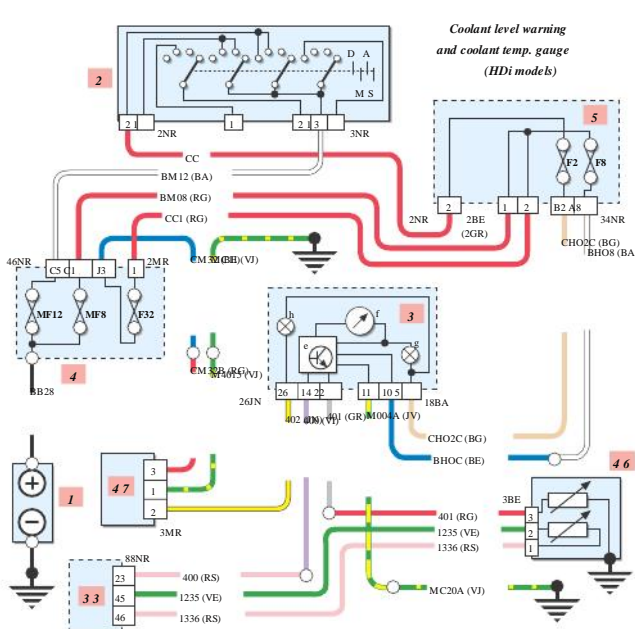
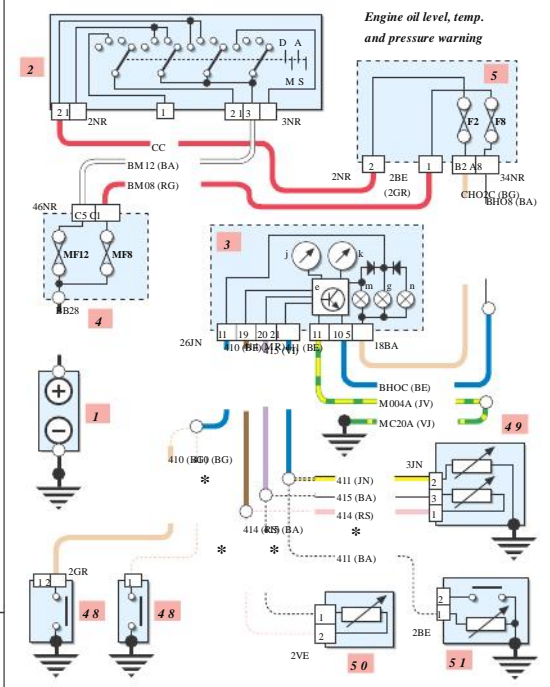
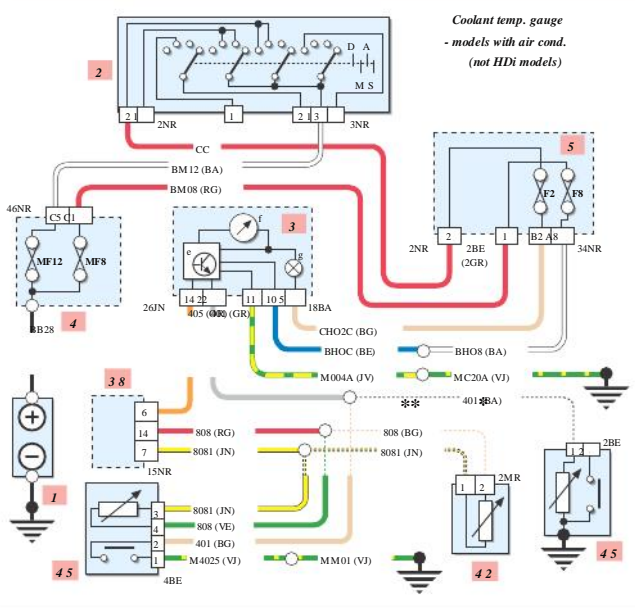


Wire colours		Key to items			
BA White	OR Orange	1	Battery	3	Instrument cluster (continued)
BE Blue	RG Red	2	Ignition switch	n	= low oil pressure warning light
BG Beige	RS Pink	3	Instrument cluster	e	= control module
GR Grey	VE Green	f	= coolant temp. gauge	4	Engine fusebox
JN Yellow	VI Mauve	g	= stop warning light	5	Passenger fusebox (28 fuse)
MR Brown	VJ Green/Yellow	h	= low coolant level warning light	33	Engine management control unit
NR Black	Yellow	j	= oil level gauge	38	Air cond. coolant temp. unit
		k	= oil temp. gauge	42	Air cond. coolant temp. thermostat
		l	= fuel gauge	45	Coolant temp. sensor/switch (alternative)
				46	Engine coolant temp. sensor
				47	Engine coolant level unit
				48	Oil pressure switch
				49	Engine oil temp. level sensor (alternative)
				50	Oil level sensor
				51	Oil temp. sensor/thermal switch
				52	Fuel gauge sender unit/fuel pump
				53	Handbrake switch
				54	Brake fluid level switch

* Alternative wiring

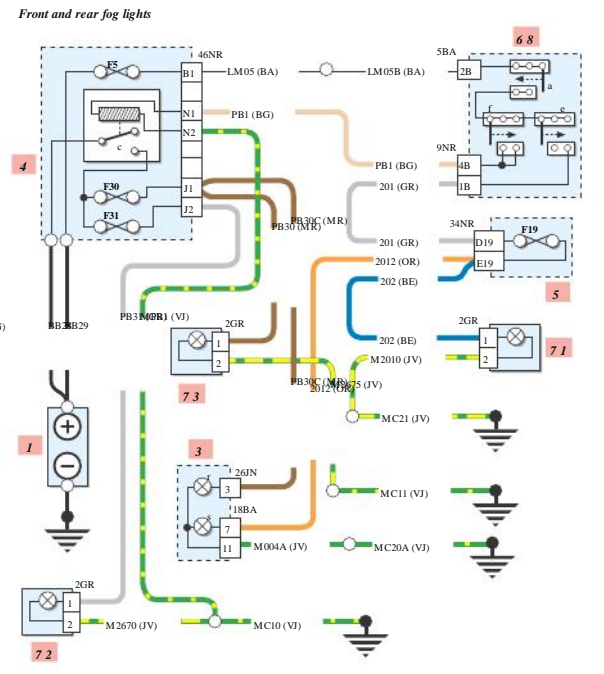
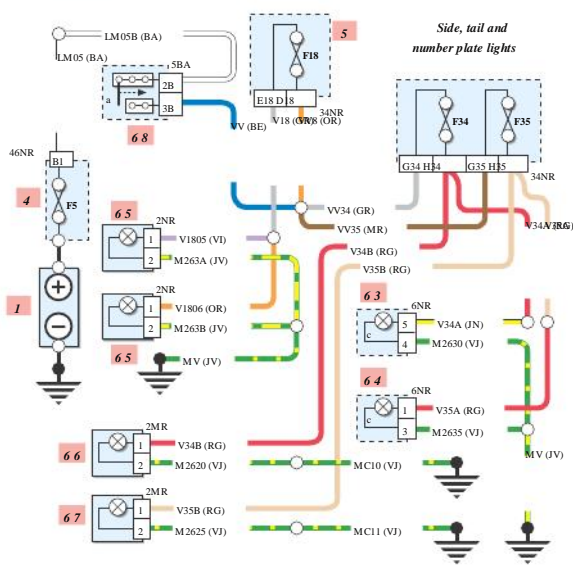
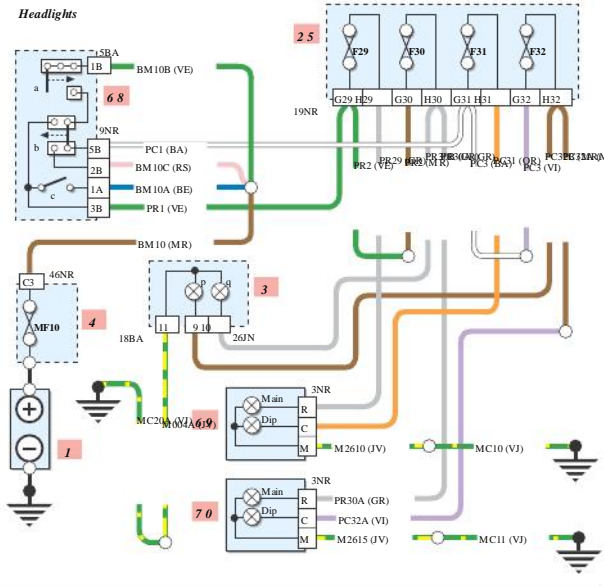
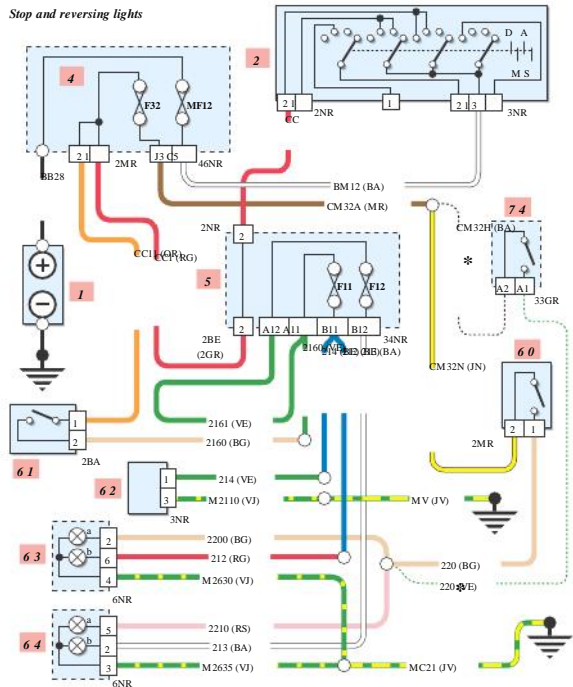
Diagram 5

H32040



Wire colours		Key to items		Diagram 6	
BA White	OR Orange	1	Battery	25	Passenger fusebox (12 fuse)
BE Blue	RG Red	2	Ignition switch	60	Reversing light switch (manual)
BG Beige	RS Pink	3	Instrument cluster	61	Stop light switch
GR Grey	VE Green	p	clipped beam warning light	62	High level brake light
JN Yellow	VI Mauve	q	main beam warning light	63	LH rear light cluster
MR Brown	VJ Green/Yellow	r	front foglight warning light	a	reversing light
NR Black	Yellow	s	rear foglight warning light	b	stop light
*		c	front foglight relay	c	tail light
		4	Engine fusebox	64	RH rear light cluster (items a to c as above)
		5	Passenger fusebox (28 fuse)	65	Number plate light
				66	LH front side light
				67	RH front side light
				68	Multifunction switch
				a	side/headlight switch
				b	dipped/main beam switch
				c	headlight flasher
				e	rear foglight switch
				f	front foglight switch
				69	LH headlight
				70	RH headlight
				71	Rear foglight
				72	LH front foglight
				73	RH front foglight
				74	Reversing light switch (auto.)

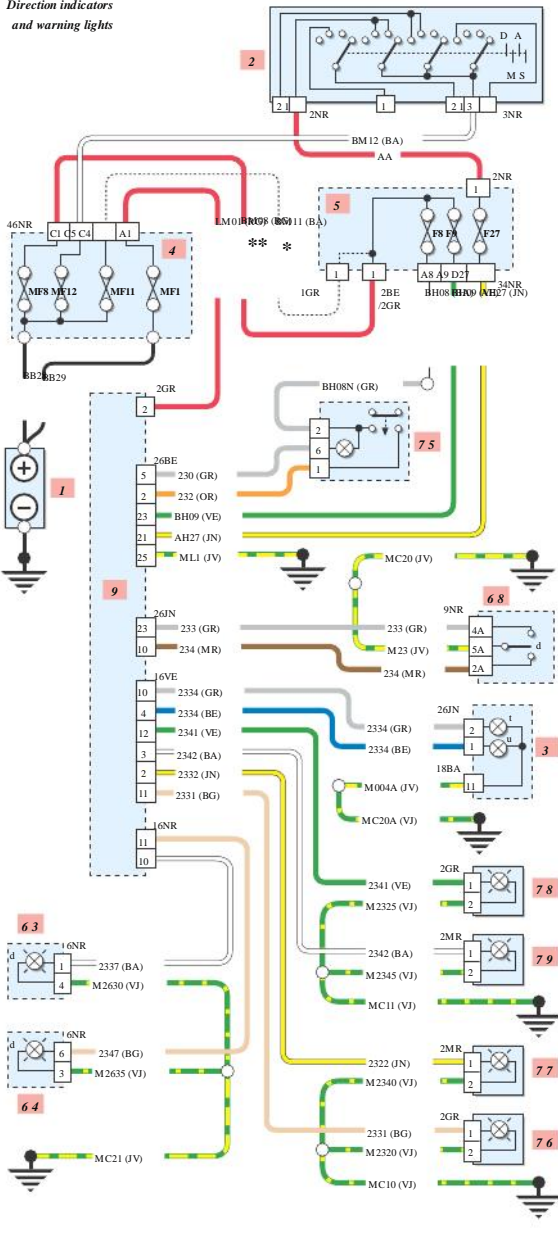
H32041



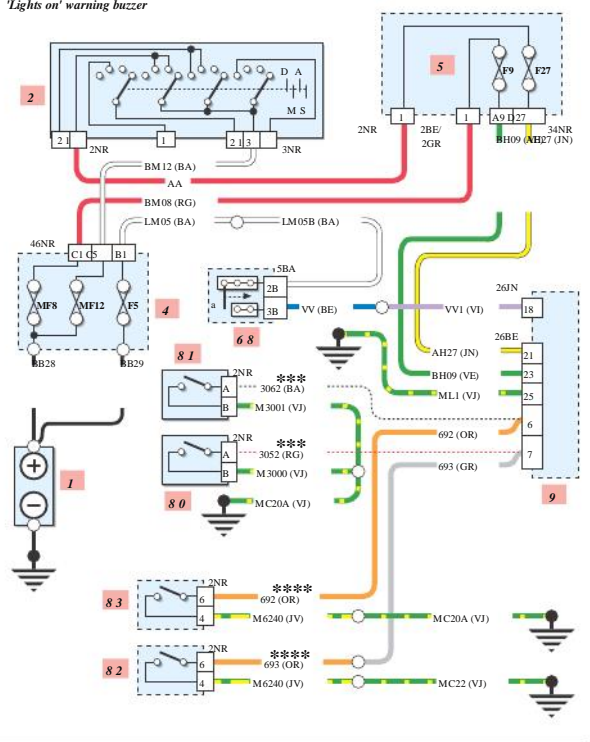
Wire colours		Key to items		Diagram 7	
BA White	OR Orange	1 Battery	63 LH rear light cluster	77 LH side repeater	
BE Blue	RG Red	2 Ignition switch	d = indicator	78 RH front direction indicator	
BG Beige	RS Pink	3 Instrument cluster	64 RH rear light cluster	79 RH side repeater	
GR Grey	VE Green	t = LH indicator	(item d as above)	80 LH front door contact switch	
JN Yellow	VI Mauve	u = RH indicator	68 Multifunction switch	81 RH front door contact switch	* With rear power windows
MR Brown	VJ Green/Yellow	v = instrument illumination	a = side/headlight switch	82 LH front door lock assembly	** Without rear power windows
NR Black	Yellow	4 Engine fusebox	d = direction indicator switch	83 RH front door lock assembly	*** Without central locking
		5 Passenger fusebox (28 fuse)	75 Hazard warning switch	84 Lighting rheostat	**** With central locking
		9 Built in systems interface (BSI)	76 LH front direction indicator	85 Link (replaces rheostat)	

H32042

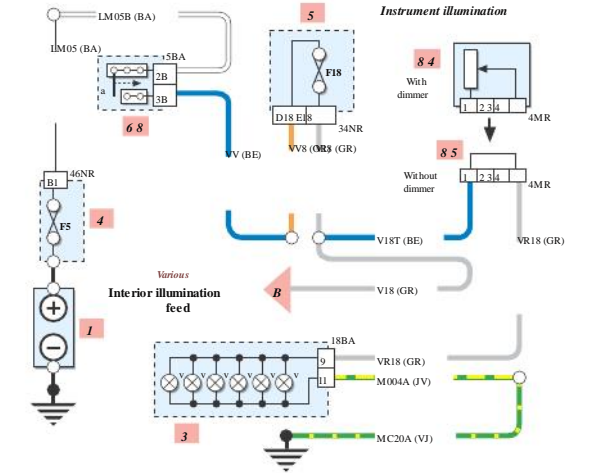
Direction indicators and warning lights



'Lights on' warning buzzer



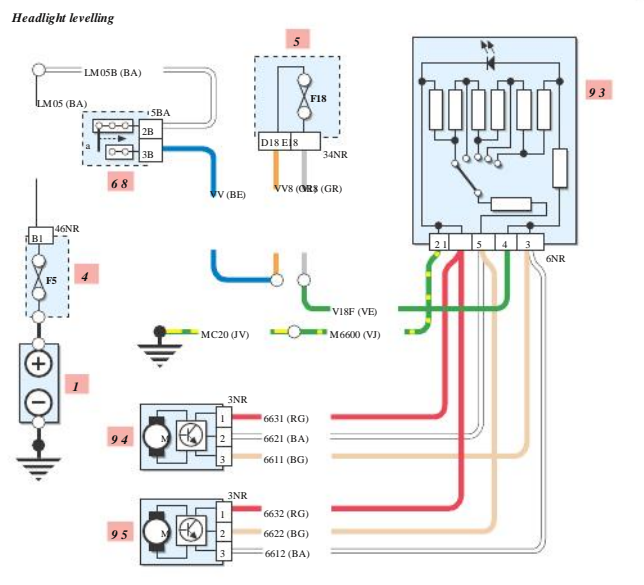
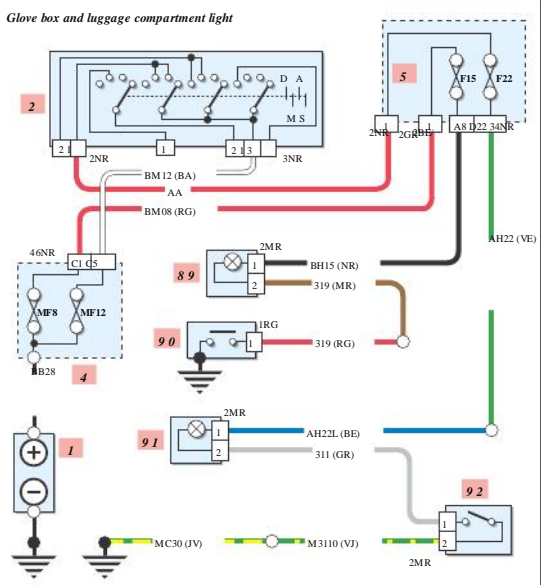
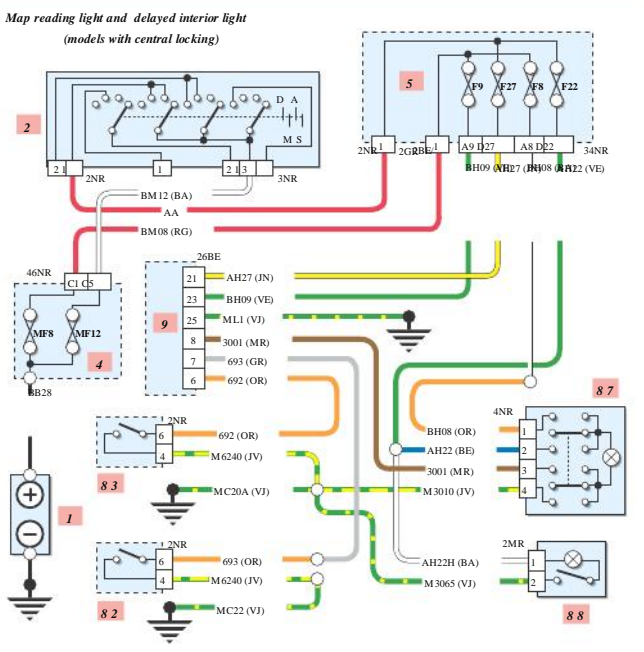
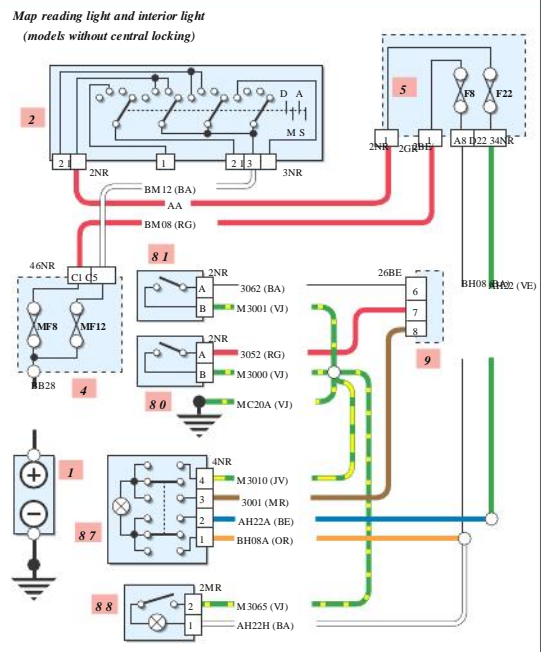
Instrument illumination



Wire colours		Key to items		
BA White	OR Orange	1	Battery	83
BE Blue	RG Red	2	Ignition switch	87
BG Beige	RS Pink	4	Engine fusebox	88
GR Grey	VE Green	5	Passenger fusebox (28 fuse)	89
JN Yellow	VI Mauve	9	Built in systems interface (BSI)	90
MR Brown	VJ Green/Yellow	68	Multifunction switch	91
NR Black	Yellow	a =	side/headlight switch	92
		80	LH front door contact switch	93
		81	RH front door contact switch	94
		82	LH front door lock assembly	95
				83
				87
				88
				89
				90
				91
				92
				93
				94
				95

Diagram 8

H32043



Wire colours		Key to items		Diagram 9	
BA White	OR Orange	1 Battery	104 LH tweeter		
BE Blue	RG Red	2 Ignition switch	105 Passenger's front door speaker		
BG Beige	RS Pink	4 Engine fusebox	106 RH rear speaker		
GR Grey	VE Green	5 Pasengr fusebox (28 fuse)	107 RH tweeter		
JN Yellow	VI Mauve	9 Built in systems interface (BSI)	108 Driver's front door speaker		
MR Brown	VJ Green/Yellow	98 Cigar lighter	109 Sunroof assembly		
NR Black	Yellow	99 Clock			
		100 Audio unit (2030 model)			
		101 Satellite controls			
		102 Electric aerial module			
		103 LH rear speaker			

* With rear power windows
** Without rear power windows
*** Alternative wiring

H32044

