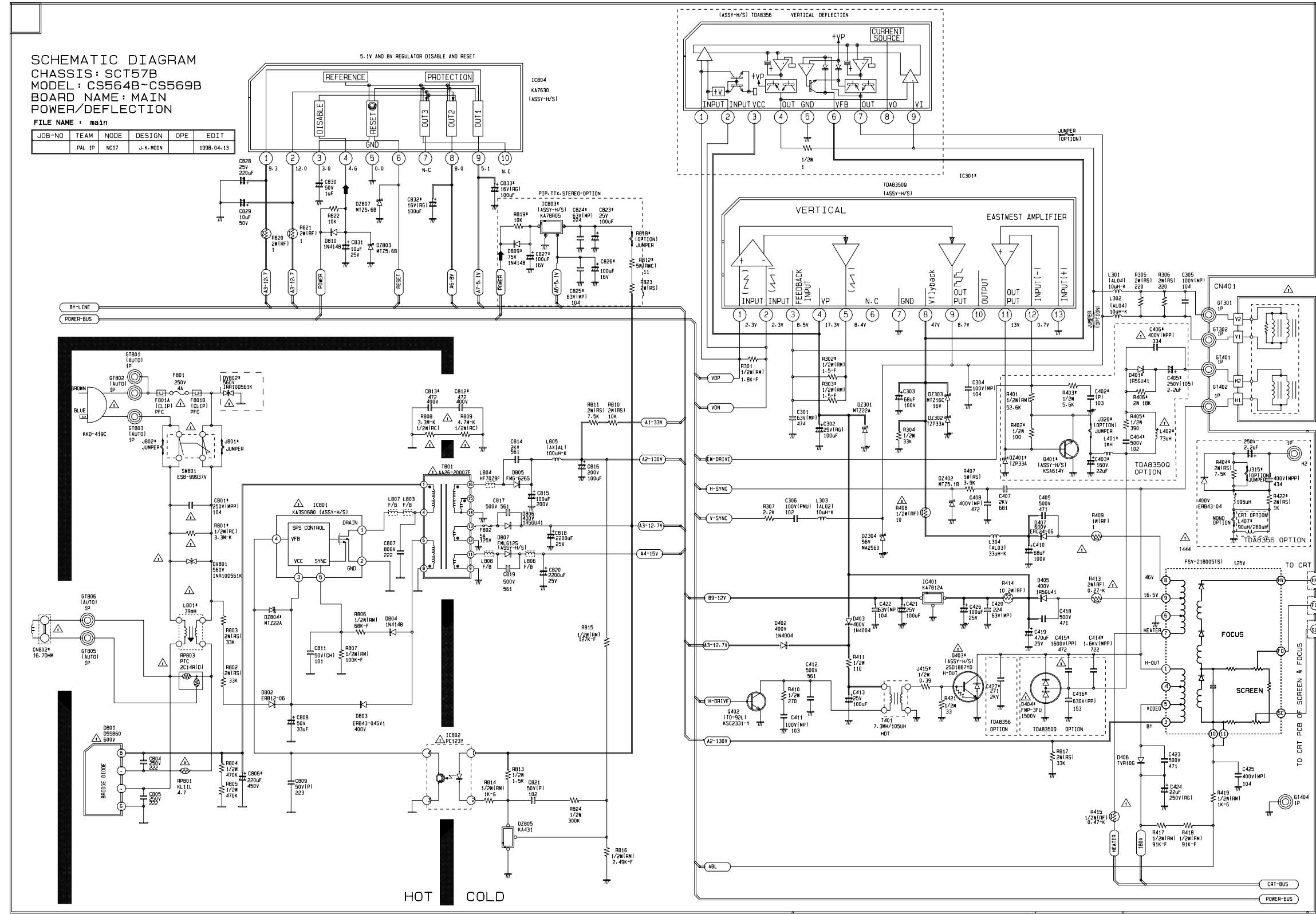


11. Schematic Diagrams

11-1 MAIN-POWER



11-2 MAIN-CHROMA

