



Date: 29.11.00

**Service info**

Unit type: Chassis TV 17.xx

no.: 261

**Concern:** Neutralization of the child lock.

**Remedy:** The child lock can be neutralized as follows:

- ① Press the button „i“ on the remote control. The info menu appears on the screen:

```
Picture
Sound
Program
VDS
Text
System
Special
Timer
Child ◀
```

- ② Select with the buttons „▲ / ▼“ on the remote control the parameter „Child“. Press the button „▶“, the child lock menu appears with a **green** marked head line:

```
Picture
Sound
Program
VDS
Text
System
Special
Timer
Child ◀ ▶
```

```
Change code  ----
Test         ----
Child lock   Off
< back
```

```
Enter code TV.. leave menu
```

- ③ Simultaneously press the **red** (picture menu) **blue** (videotext) button on the remote control.
- ④ Simultaneously press within 5 seconds the buttons **P-** and **▶ +** at the local control panel.
- ⑤ Press the button „OK“ on the remote control.

The access into the child lock is now neutralized.

**Modifications reserved !**



## Service information !

**Unit type :** Chassis TV 17.xx Multipage

**Concern:** Blocking control function by receiving low level or disturbed antenna signal

**Concern :** Blocking control function by receiving low level or disturbed antenna signal.

**Remedy :** In case of service the IC in position IC 901 has to be replaced by the latest version.

**Attention :** Due to several chassis version the IC in position IC 901 has to be ordered depending on the set identification number.



**SCHNEIDER**  
Schneider AG      DUAL GmbH  
Silvastraße 1  
D-86842 TÜRKHEIM

Date : 20.12.99

**Service - Info**

Unit type                    :Chassis TV 17

KD0002K

No.: 239

**Concern:**

Performance improvement

**Remedy:**

The chip resistor in position R 1529 ( 5,6 K Ohm ) has to be removed and replaced by a 1 K Ohm resistor.

Part number chip resistor 1 KOhm: 0038959

Attention: The modification was already integrated in production. Therefore the modification may be not necessary in all cases.

Modifications reserved !



Date : 08.02.2000

**Service - Info**

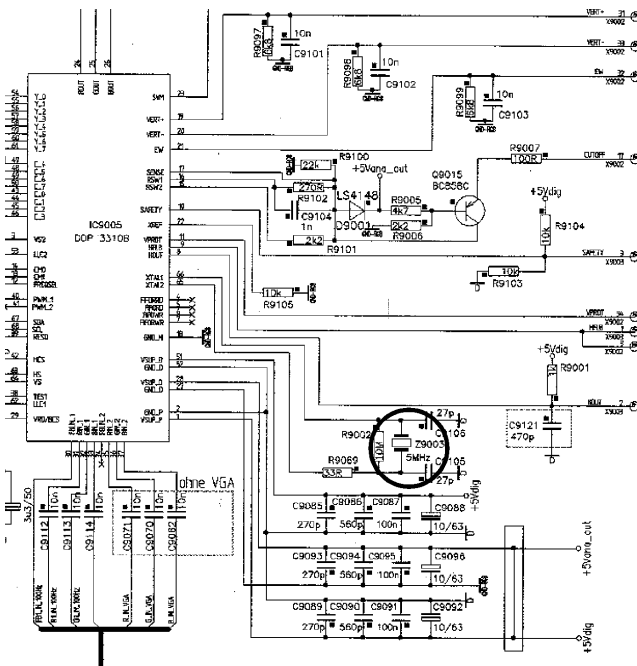
Unit type : Chassis TV17 / Feature Box

KD0002K

No.: 247

**Concern:** - Failure of the horizontal output amplifier ( Q 307 / 2 SC 5129 )  
 - The set don't start up

**Remedy:** - The 5Mhz crystal in position Z9003 has to be removed and replaced by the below declared replacement version.  
 - The below declared silicon foil has to be applied between the crystal and the board.



Original crystal version



Replacement crystal version

Part no. crystal 5Mhz:      0053707  
 Part no. silicon foil:      0109059

Modifications reserved !



Date : 23.02.00

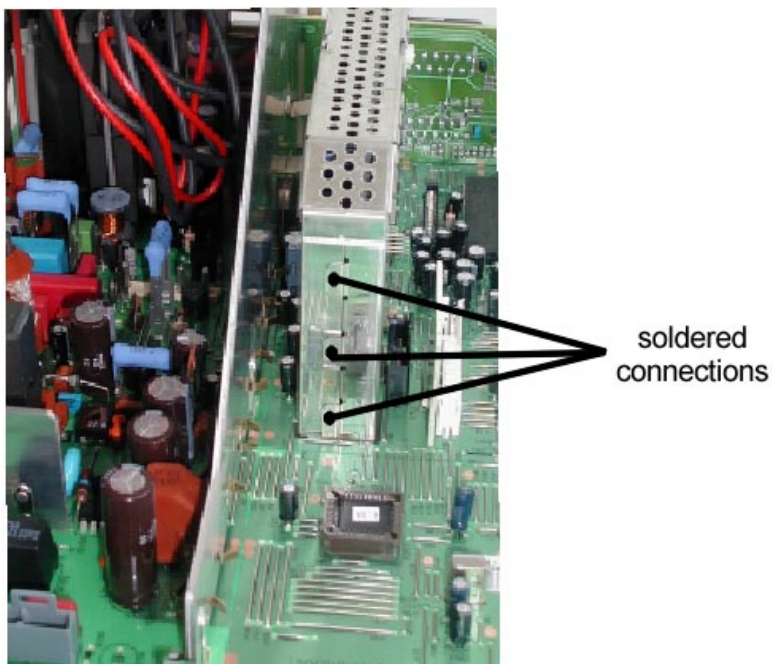
**Service - Info**

Unit type                    : Chassis TV 17

No.: 253

**Concern:**      Stripes at the left side of the screen

**Remedy:**      To eliminate the stripes at the left side of the screen the both parts of the sheet-metal case have to be connected ( soldered ) at both front sides a like the illustration.



Modifications reserved !



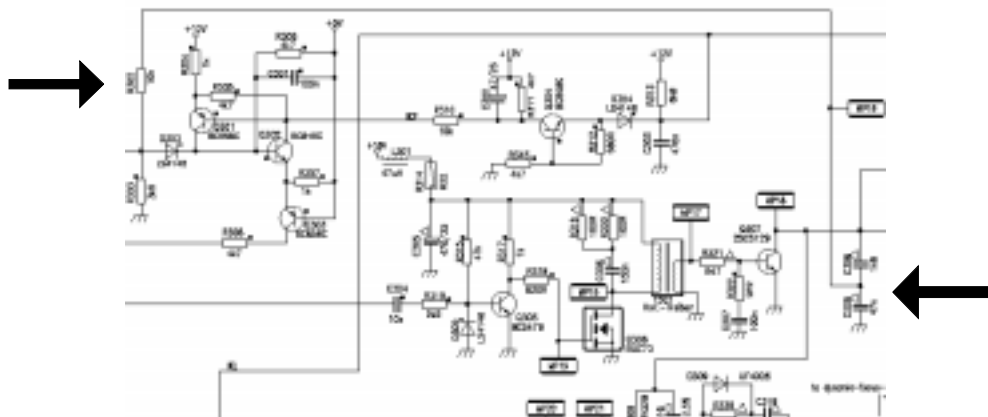
**Service - Info**

Unit type                    : Chassis TV 17

No.: 254

**Concern:** Improvement of the reliability.

**Remedy:** To improve the reliability the capacitor in position C 309 has to be removed and replaced by a replacement version. Additional the resistor in position R 302 has to be observed and if necessary to be replaced.



Spare part number capacitor : 0109091  
Spare part number resistor : 0031134

Modifications reserved !



**Service-Info**

Concern : TV 17 NVM values depending on the set type

Info 256

The chassis TV 17 exists in different versions and was used with several picture tubes. After an EEPROM swap or after a new initialisation the geometry, video and program parameter will be deleted and replaced by standard values. Therefore these parameter have to be set again. But attention, **at first** the set has to be set into the delivery status ( info menu / parameter „reset“ ) alike the instruction manual. **After** that, the below declared NVM addresses have to be observed and if necessary to be altered according the below declared table:

NVM-Values for chassis TV 17.1 B/G												
Picture tube:	007C	007D	0080	0082	0083	00E0	00E1	0201	0203	0205	0207	0213
A66 EAK 71X...	14	A0	08	41	00	20	20	F5	26	20	20	32
	<b>0214</b>	<b>0215</b>	<b>0218</b>	<b>0219</b>	<b>0270</b>	<b>02EB</b>	<b>02EC</b>	<b>0FD8</b>	<b>0FEB</b>	<b>0FE9</b>	<b>00F0</b>	
	01	0E	01	10	14	0D	10	00	C6	12	37	

NVM-Values for chassis TV 17.1 Multi												
Picture tube:	007C	007D	0080	0082	0083	00E0	00E1	0201	0203	0205	0207	0213
A66 EAK 071X...	14	A0	08	41	00	20	20	F5	26	20	20	32
	<b>0214</b>	<b>0215</b>	<b>0218</b>	<b>0219</b>	<b>0270</b>	<b>02EB</b>	<b>02EC</b>	<b>0FD8</b>	<b>0FEB</b>	<b>0FE9</b>	<b>00F0</b>	
	01	0E	01	10	14	0D	10	01	C6	12	37	

NVM-Values for chassis TV 17.6 B/G														
Picture tube:	007C	007D	0080	0082	0083	00E0	00E1	00F0	0201	0203	0205	0207	020B	020D
A66 EAK 071X...	14	A0	08	41	00	20	20	37	F5	26	20	20	0A	28
	<b>020F</b>	<b>0211</b>	<b>0213</b>	<b>0214</b>	<b>0215</b>	<b>0218</b>	<b>0219</b>	<b>0270</b>	<b>02EB</b>	<b>02EC</b>	<b>0FDD</b>	<b>0FE9</b>	<b>0FEB</b>	<b>0FEF</b>
	21	24	32	01	0E	01	00	14	0D	10	00	12	C6	02

NVM-Values for chassis TV17.7 B/G													
Picture tube:	007C	007D	0080	0082	0083	00E0	00E1	00F0	0213	0214	0215	0219	0FE9
A66 EAK 552X...	17	C0	08	41	00	20	20	37	32	01	0E	FD	12
	<b>0201</b>	<b>0203</b>	<b>0205</b>	<b>0207</b>	<b>020B</b>	<b>020D</b>	<b>020F</b>	<b>0211</b>	<b>0270</b>	<b>02EB</b>	<b>02EC</b>	<b>0FEB</b>	
	F5	26	20	20	0A	28	21	24	14	0D	10	C6	

NVM-Values for chassis TV 17.3 4:3															
Picture tube:	0000	007C	007D	0080	00F0	01C0	0200	0201	0203	0205	0207	020B	020D	0211	0213
A 80 EJA 33X...	01	1C	20	0A	14	00	FF	F9	29	20	20	0A	28	24	32
	<b>0214</b>	<b>0215</b>	<b>0216</b>	<b>0217</b>	<b>0218</b>	<b>0219</b>	<b>0270</b>	<b>02EB</b>	<b>02EC</b>	<b>0378</b>	<b>04CF</b>	<b>04D2</b>	<b>04E9</b>	<b>0FD8</b>	<b>0FDD</b>
	01	0E	FF	E0	01	2F	14	0D	10	F4	01	02	03	01	01
	<b>0FE9</b>	<b>0FEB</b>													
	13	C6													

NVM-Values for chassis TV 17.3 16:9															
Picture tube:	0000	0043	0044	007C	0080	0081	00F0	01D3	01D4	01E8	01AC	01AD	01AE	01AF	01B0
W66EHU13X...	01	00	00	0E	0C	80	14	00	51	FF	9C	04	AB	01	CF
	<b>01D5</b>	<b>01D6</b>	<b>01D7</b>	<b>01D8</b>	<b>0200</b>	<b>0201</b>	<b>0203</b>	<b>0207</b>	<b>020A</b>	<b>020B</b>	<b>020D</b>	<b>020F</b>	<b>0211</b>	<b>0213</b>	<b>0215</b>
	04	E7	01	90	FF	E5	20	20	FF	D2	1E	1C	1C	05	F5
	<b>0216</b>	<b>0217</b>	<b>0219</b>	<b>0270</b>	<b>02EB</b>	<b>02EC</b>	<b>0378</b>	<b>04CF</b>	<b>04D2</b>	<b>04E9</b>	<b>0FD8</b>	<b>0FE9</b>	<b>0FEB</b>		
	FF	C0	DF	14	0D	10	F4	01	02	03	01	12	C6		



### **Service-Mode:**

Simultaneously press and then release the **red** ( picture menu ) and **blue** ( videotext ) button on the remote control. Simultaneously press and then release within 5 seconds the buttons „program -“ and „volume +“ at the local control panel. The NVM menu appears on the screen. Select with the buttons „▲ / ▼“ on the remote control the parameter „NVM addr.“ The NVM menu appears on the screen.

The settings can be selected with the **red** ( picture menu ) button on the remote control and changed with buttons „volume +“ and „volume -“. Each changing of an address has to be stored **separately** with the button „OK“ on the remote control. After the changing of the addresses leave the service mode with the button „TV“ . To activate the modification switch off the set with the main power switch and start it again.

**Attention: The changing of other addresses can effect further failure!**

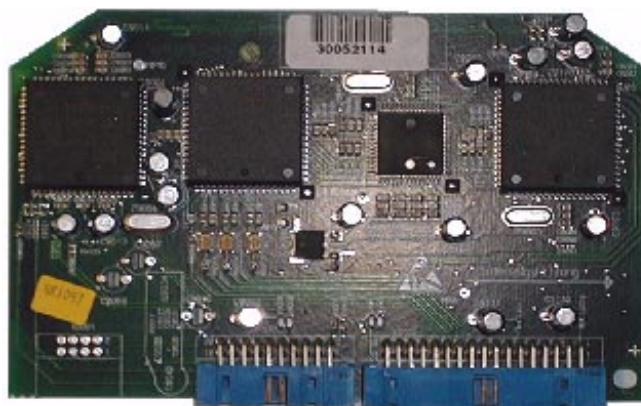
**Modifications reserved !**

**Service - Info**

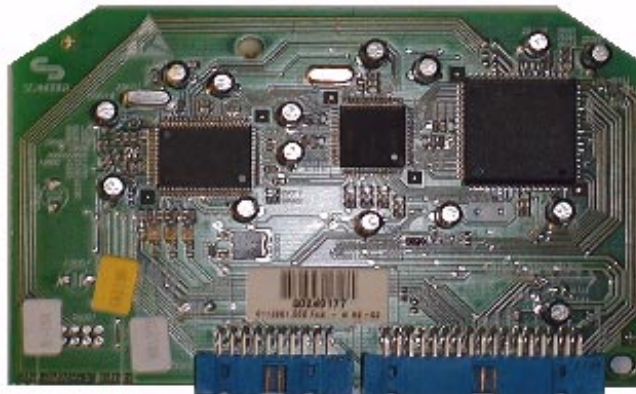
Part : Feature-Box TV 17

Concern: Distinguishing mark between Feature-Box version 1 and version 2

1. Feature-Box version 1:

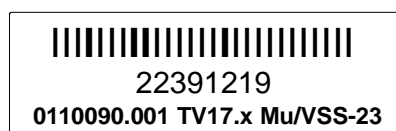


2. Feature-Box version 2:



**For information:**

- The main recognisable distinguishing mark between the feature box versions is the number of the integrated IC's ( version 1: four pieces / version 2: three pieces).
- In case that the feature box version 2 is integrated the software version X 4.5x or Y 4.5x has to be used.
- Each TV 17 board have got an identification sticker ( see below sketch ). In case of an integrated feature box version 2 the chassis identification number starts with the figures " 011... ".



↑  
Identifications number

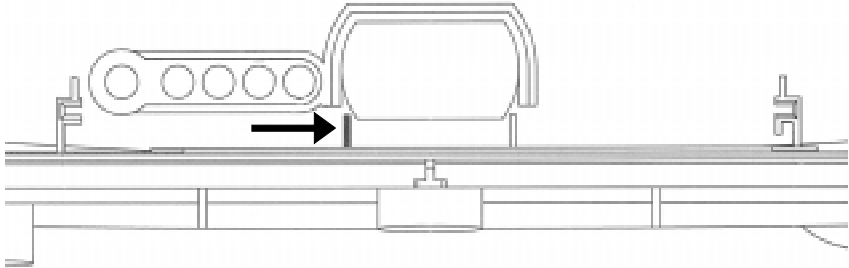


## Service information !

**Concern:** Sets in connection with the cabinet type 70241

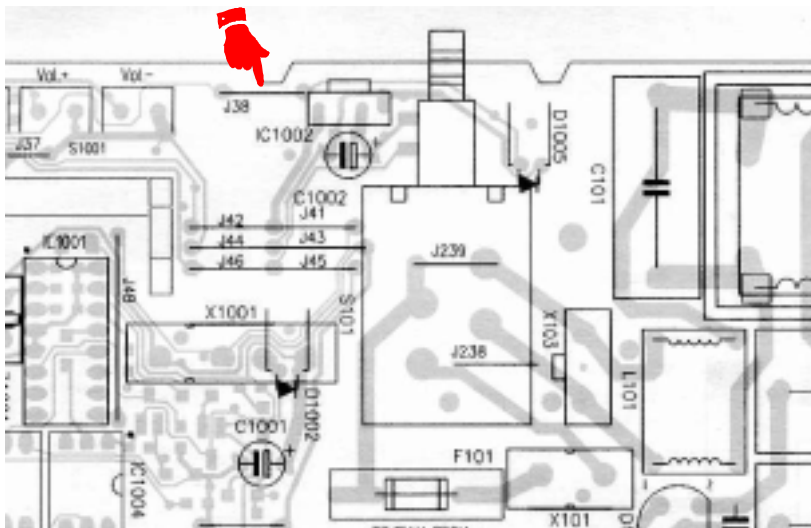
- ① Jamming push button of the main power main power switch
- ② Stby LED without function

① To avoid the jamming of the push button, the plastic rip at the left side, below the push button aperture has to be removed alike sketch 1.



**Sketch 1:** front side cabinet inside view

② The soldering pin of the jumper „J38“ may be damaged by a plastic rip (sketch.2). As a result of this the stand-by LED is without function. To avoid this the left plastic rip below the push button aperture has to be removed alike sketch 1.



**Sketch 2:** Layout TV 17



Date : 11.02.00

**Service - Info**

Unit type             : Chassis TV 17.1  
Concern part no.:    : 0101591.2

KD0002K

No.: 250

**Concern:** Timerfunction not available.

**Remedy:** If the timerfunction don't switch off the set despite all data's are duly entered, the NVM Address „**0FD7**“ has to be set to data „**00**“ according the following instruction.

**Service-Mode:**

Simultaneously press and then release the red and blue button on the remote control. Simultaneously press and then release within five seconds the buttons „program -“ and “volume+“ at the local control panel. The main service menu appears on the screen:

Versionsnummer	X	X.XX
NVM - Reset		Aus
TV - Type		4 : 3
MSP - Type		BG
Funktionstasten		4
KISI - Suchlauf		Ein
VGA - Modus		Aus
Testmode- Daten		Aus
VPS/PDC - Anzeige		Aus
Testbild		Aus
auto. Formatschaltung		Ein
Front AV		Aus

OK.. save

TV.. leave menu

Select with the buttons „▲ / ▼“ on the remote control the parameter „NVM addr.“. The NVM menu appears on the screen:

4 : 3

NVM             addr.   0000         data 255

OK . . save

TV . . leave menu

The settings can be selected with the red button on the remote control and changed with the buttons volume +/- on the remote control. Each changing of an address has to be stored **separately** with the button „OK“ on the remote control. After the changing of the addresses leave the service mode with the button “TV“ on the remote control. To activate the changing, switch off the TV with the main power switch and start it again.

**Attention: The changing of other addresses can effect further failure!**

Modifications reserved!