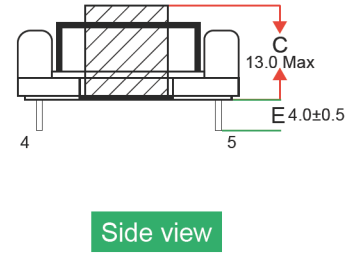
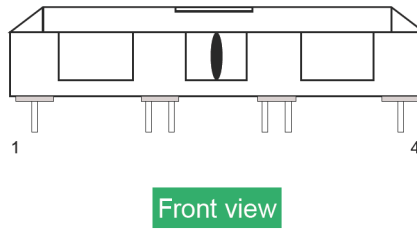
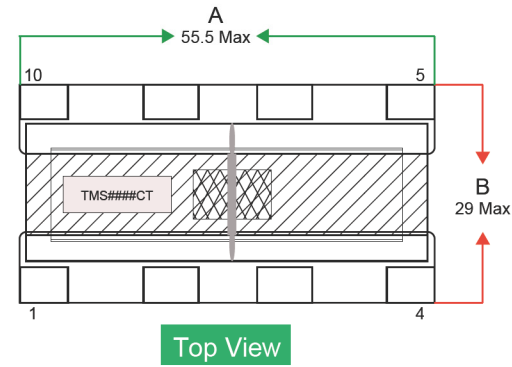
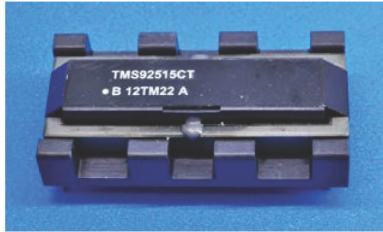


Transformer

Model:TMS92515CT



Test data—inspection report

TEST ITEM	L(1-2)	L(4-3)	L(6,7-8,9)	LK(1-2)	LK(4-3)	DCR(1-2)	DCR(4-3)	DCR(6,7-8,9)
UNIT	H	H	uH	mH	mH	KΩ	KΩ	mΩ
TEST CONDITOOON	1KHZ, 1.0V	1KHZ, 1V	1KHZ, 1V	Short pri 6,7-8,9 10KHZ, 1V	Short pri 6,7-8,9 10KHZ, 1V	/	/	/
SPEC	1.8MIN	1.8MIN	59.0MIN	325.0±10%	325.0±10%	1.05~1.22	1.05~1.22	35.0MAX
1	3.05	3.03	97.30	325.0	333.0	1.13	1.13	19.90
2	3.22	3.22	103.00	318.0	321.0	1.12	1.11	20.10
3	2.99	3.00	94.80	317.0	317.0	1.12	1.12	19.80
4	3.06	3.06	97.40	320.0	322.0	1.13	1.13	19.90
5	3.24	3.24	103.90	320.0	322.0	1.12	1.13	19.80
6	3.38	3.38	109.00	321.0	329.0	1.12	1.12	19.70
7	3.08	3.09	98.20	332.0	322.0	1.13	1.14	20.10
8	3.30	3.30	106.10	319.0	321.0	1.13	1.12	19.70
9	3.33	3.33	107.10	326.0	330.0	1.11	1.12	19.80
10	3.48	3.48	112.50	317.0	321.0	1.12	1.13	19.80
11	3.15	3.14	100.10	331.0	332.0	1.13	1.13	19.90
12	3.11	3.11	99.10	329.0	326.0	1.11	1.11	20.90

TEST ITEM	DIMENSION A	DIMENSION B	DIMENSION C	DIMENSION D	DIMENSION E	DIMENSION F	DIMENSION G	DIMENSION H
UNIT	mm	mm	mm	mm	mm	mm	mm	mm
TEST CONDITOOON	/	/	/	/	/	/	/	/
SPEC	55.5MAX	29.5MAX	14.0MAX	23.3±0.5	4.0±0.5	17.0±0.5	14.2±0.5	15.38±0.5
1	54.17	28.80	12.78	23.41	4.01	16.98	14.41	15.41
2	54.44	28.80	12.80	23.37	4.07	16.87	14.09	15.52
3	54.48	28.75	12.83	23.36	4.09	17.04	14.12	15.51
4	54.03	28.85	12.74	23.34	4.02	16.94	14.27	15.30
5	54.50	28.80	12.88	23.39	4.15	16.87	14.20	15.34
6	54.19	28.60	12.69	23.37	4.05	16.96	14.28	15.56
7	54.42	28.80	12.83	23.39	4.00	17.05	14.22	15.40
8	54.47	28.81	12.83	23.38	4.04	17.00	14.23	15.24
9	54.50	28.78	12.88	23.38	4.18	16.79	14.10	15.41
10	54.42	28.76	12.85	23.34	4.01	16.88	14.15	15.34
11	54.51	28.78	12.86	23.39	4.03	16.77	14.13	15.55
12	54.49	28.75	12.81	23.39	4.14	16.96	14.17	15.40

INSPECTION ITEM		AOL	RESULT	USION ACCEPTED REJECTED WE CERTEIFY THAT ALL PRODUCTS HAD PASSED HI-POT TEST.
1	IR	Maj	/	
2	ELEC.CHARATERISTICS	Maj	OK	
3	MECHANICAL DIMENSION	Maj	OK	
4	APPEARANCE	Min	OK	
5	MARKING TMS92515CT . B 12TM22A	Maj	OK	
6	TERMINAL PULL TEST	Min	/	
7	OPERATING TORQUE	Maj	/	
8	SOLDERABILITY	Maj	/	
9	PACKING	Maj	OK	
10	HI-POT: P-S 2.0KVac 3mA 2S	Cri	OK	
	P-C 2.0KVac 3mA 2S	Cri	OK	
	S-C 3.5KVac 3mA 2S	Cri	OK	
Checked By		Prepared By		TEST CONDITION TEMPERATURE 26°C HUMIDITY: 70%RH