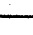
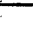





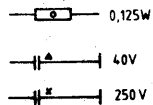
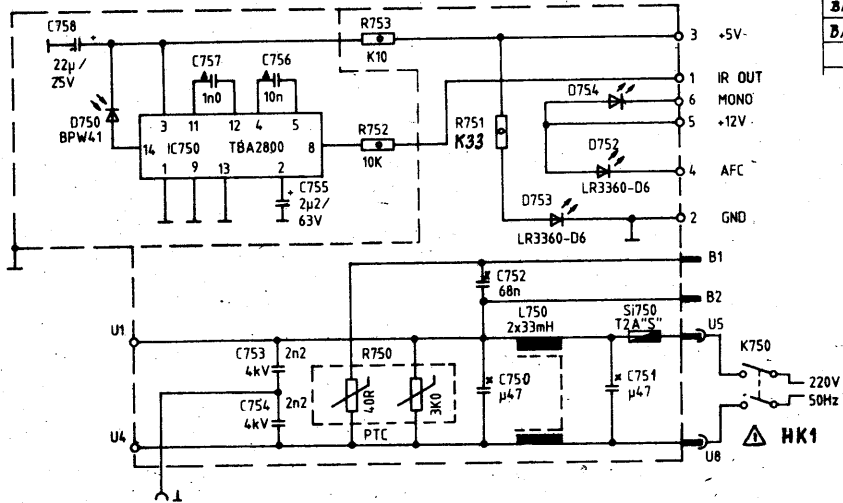
 MOS alkatrészek védelmi intézkedéseit figyelembe kell venni!

-  0,125W
-  0,25W
-  6.3V-25V
-  40V-50V
-  63V
-  100V
-  160V

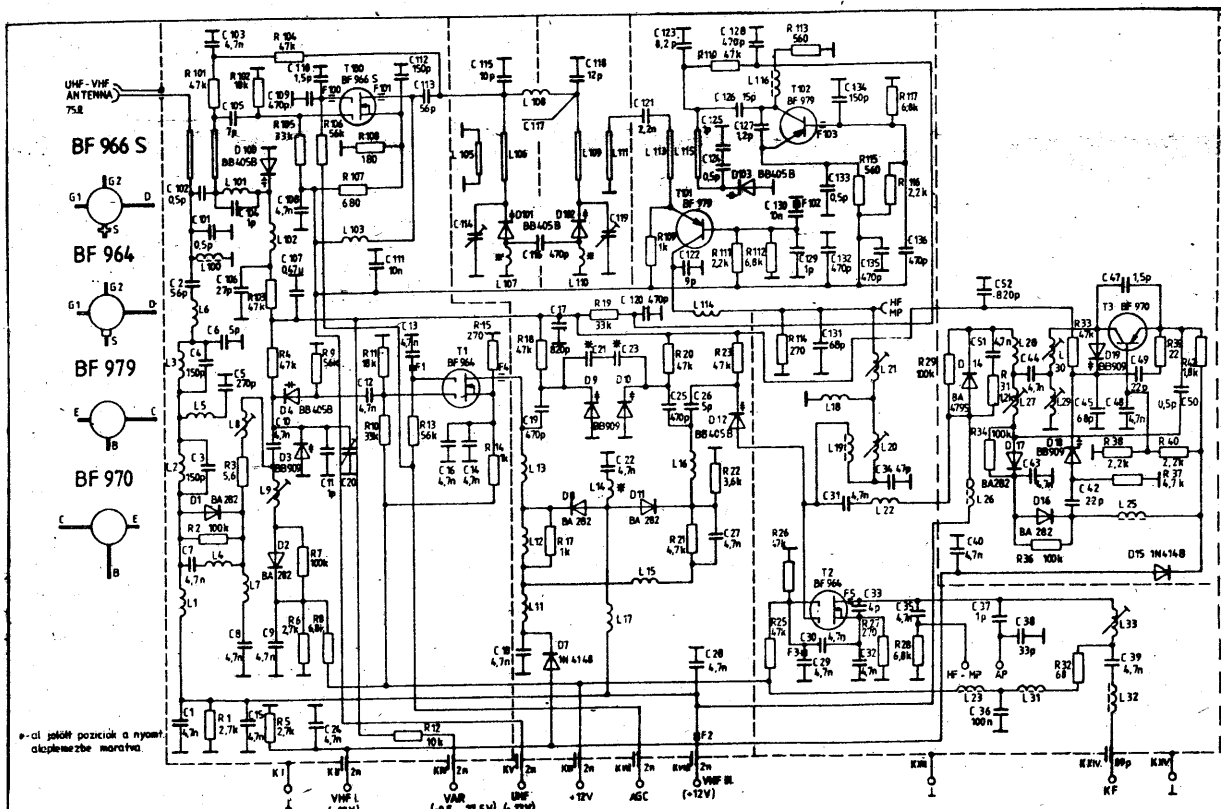
| Szerelt rajzsám | R396 | "A" | T365 | C377 | R415 | R414 | R405 | R404 |
|-----------------|------|-----|---------|------|------|------|------|------|
| BA 177 C | 3k9 | 5 | — | — | — | — | — | — |
| BA 177 E | 1k0 | 6 | BC548 B | μ10 | 3k3 | 2k2 | 6k8 | 3k3 |

XA 051 A / 9

| Rajtszám | D754 | |
|----------|-----------|--|
| BA177 P | — | |
| BA177 X | LR3360-06 | |



XA 051 M/6



XA044M/2



| | | |
|----------|-----------|--|
| Rajzszám | D754 | |
| BA 177 P | — | |
| BA177 X | LR3360-DC | |

-5V

R OUT

MONO

-12V

AFC

GND

B+

B-

US

Le

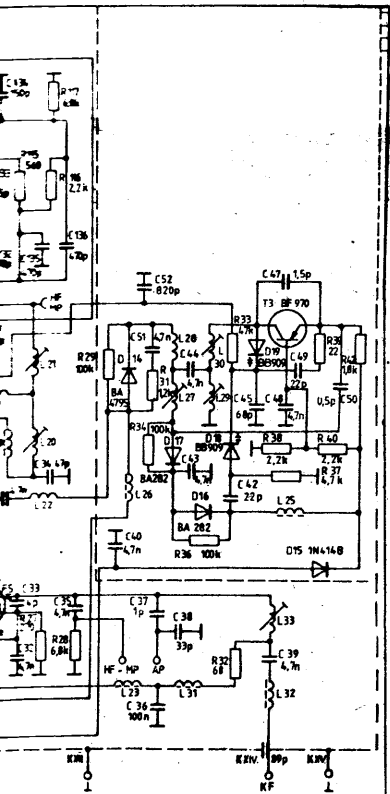
K750

220V

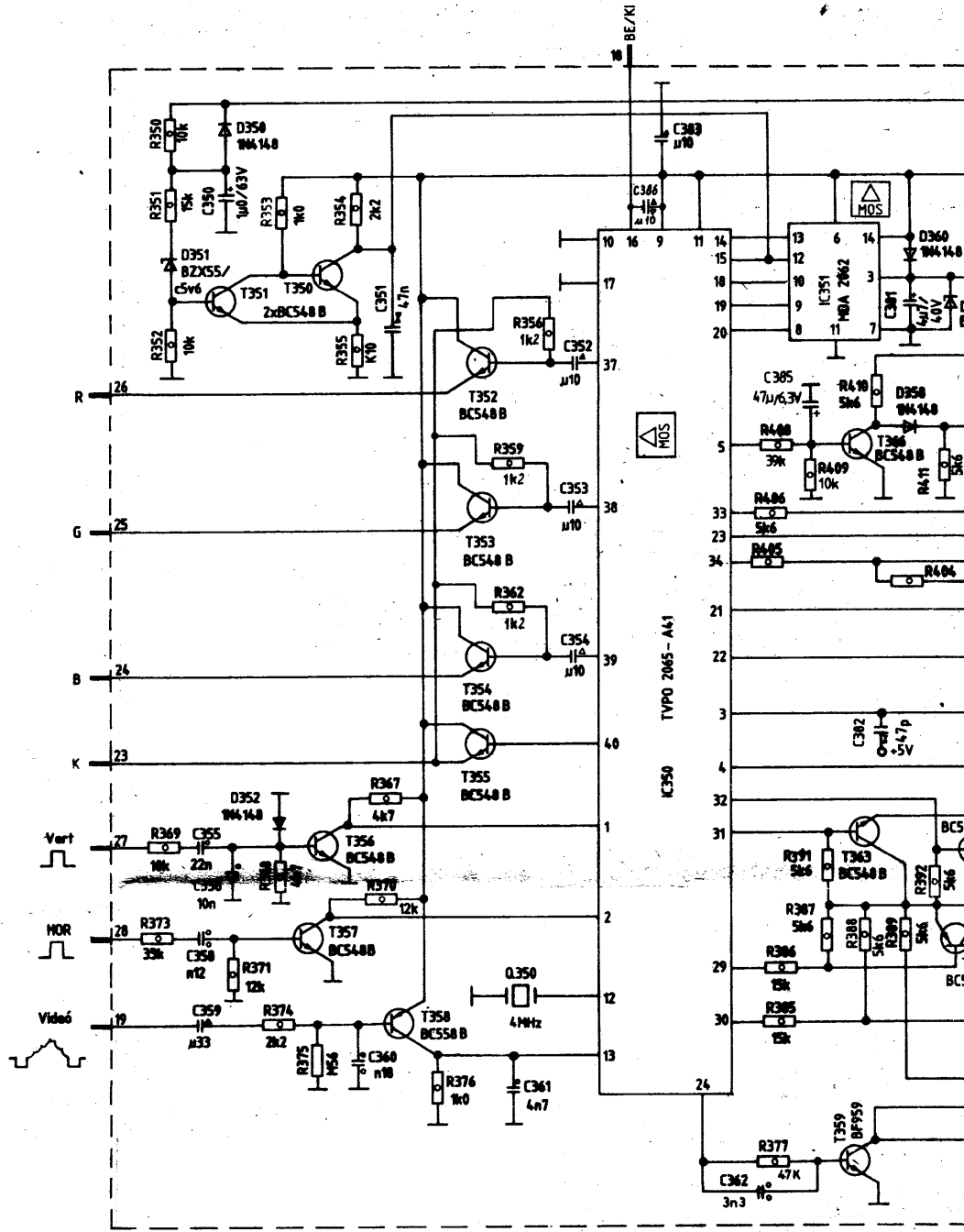
50Hz

HK1

M16



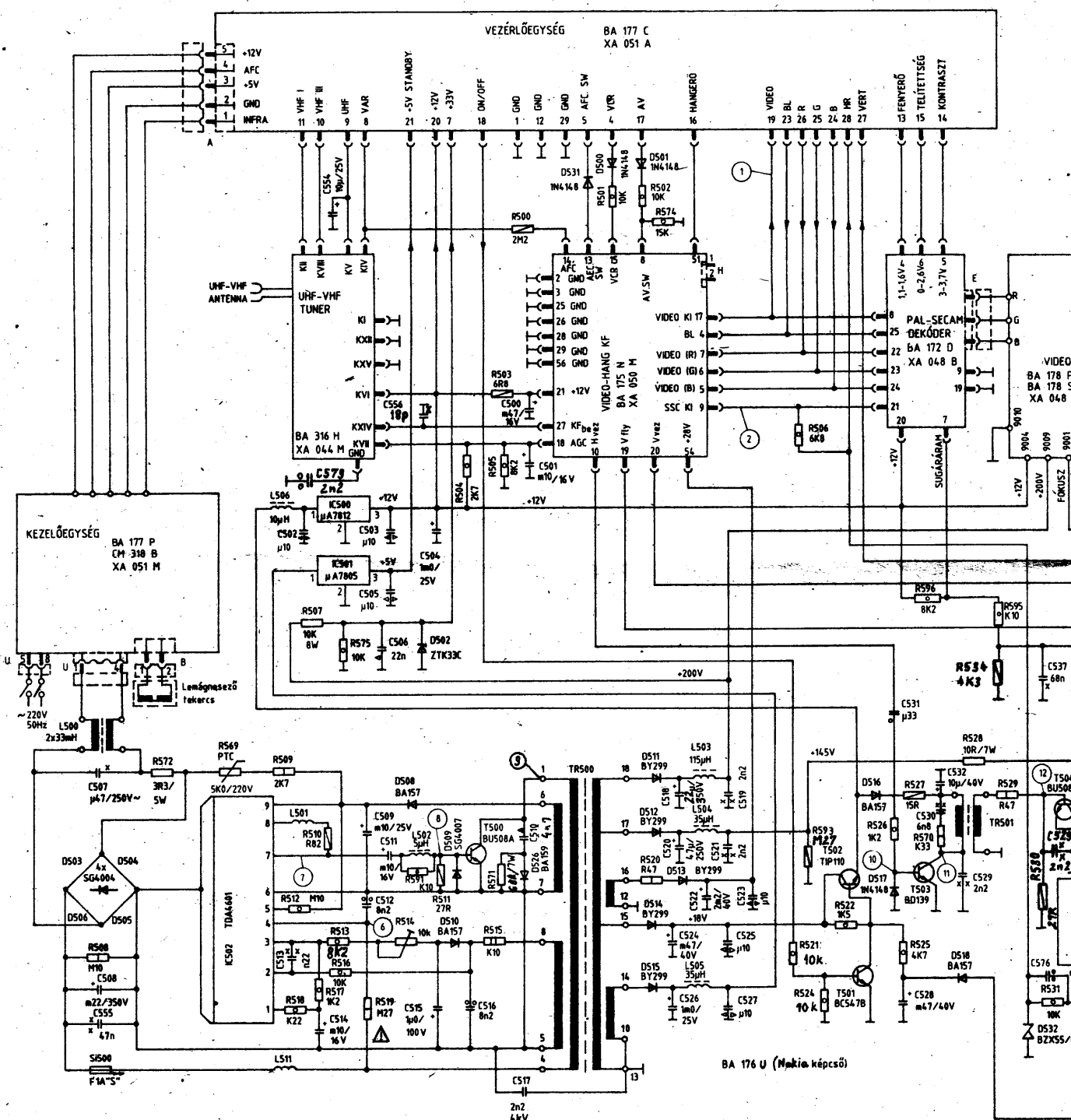
XA044M/2



MOS MOS alkatrészek védelmi infézkedéseit figyelembe kell venni!

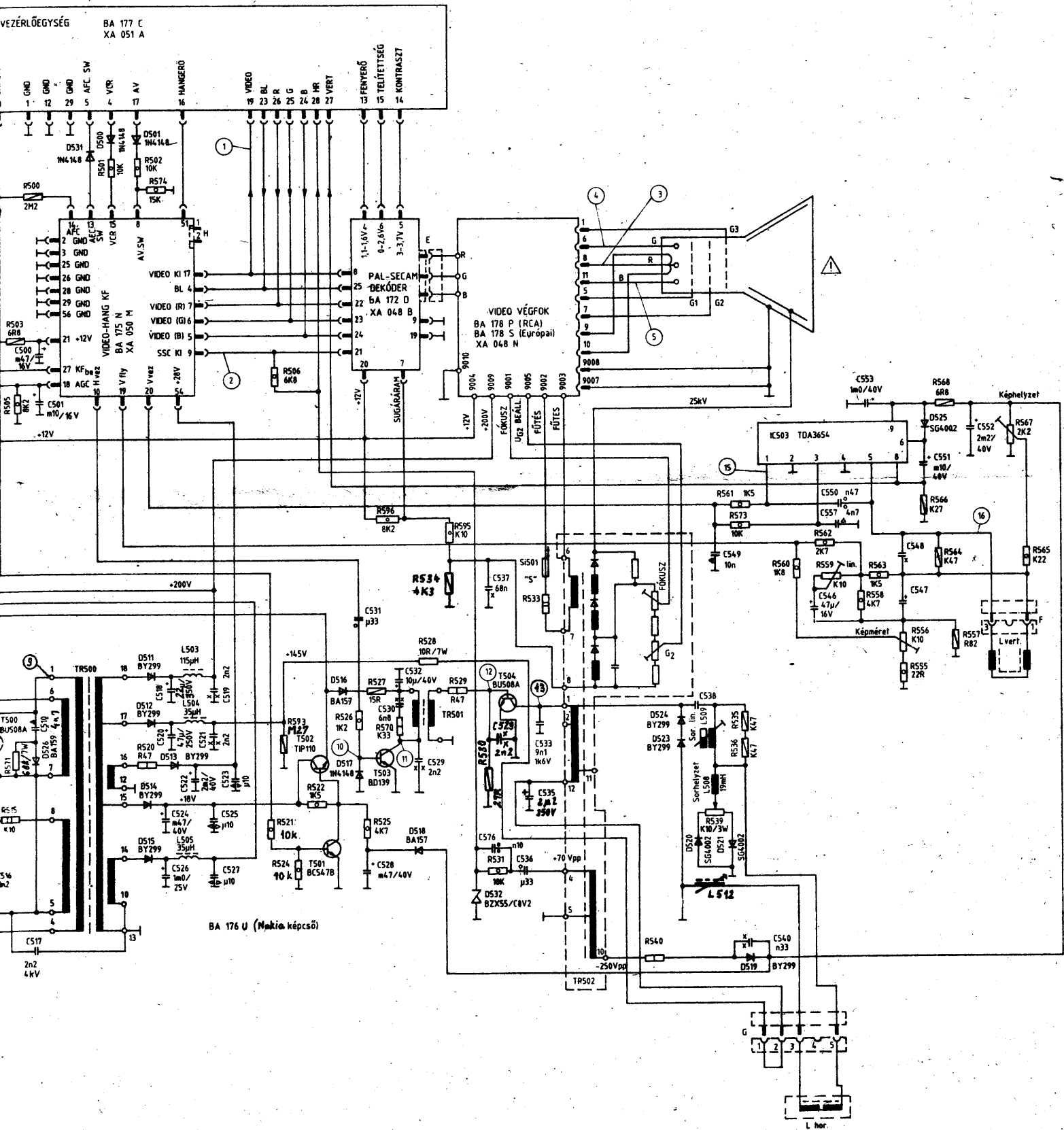
- 0,125W
- 0,25W
- 6,3V-25V
- 40V-50V
- 63V
- 100V
- 160V

| | |
|------------------|------|
| Szerelt rajzszám | R396 |
| BA 177 C | 3K9 |
| BA 177 E | 1K0 |



- | | | | | | |
|--|--------|--|------|--|-------|
| | 0,125W | | 32V | | 400V |
| | 0,5W | | 40V | | 1000V |
| | 1W | | 63V | | 1500V |
| | 2W | | 100V | | 160V |
| | | | 250V | | |

| | Képcső | Készülék | Tasak kap. rajz száma | Video-végfok | RS33 | RS40 | RS54 | CS38 |
|-----------------|---------------|----------|-----------------------|--------------|------|------|------|------|
| CTV025A/1 Nokia | A59 EAF 01X01 | AA 407S | HX 920E | RCA | 2R2 | 4R7 | — | A47 |
| CTV025M/1 Nokia | A59 EAF 01X01 | AA 407T | HX 920E | RCA | 2R2 | 4R7 | — | A47 |

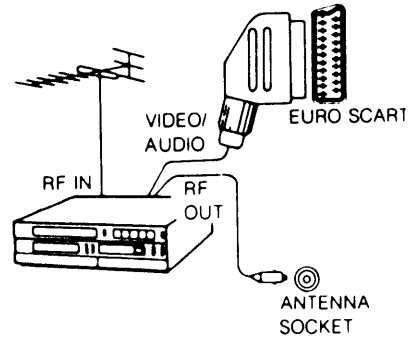


A/V FUNCTION

■ EURO-SCART SOCKET

A video cassette recorder, video disc player, TV games, home computer or video camera can be connected to this AV socket with an appropriate connecting cable.

When program mode "AV" is selected, the TV is switched for direct video input mode, and the input RF stages of the receiver are muted.

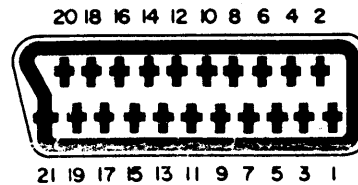


VCR OPERATION BY SCART JACK

Most VCR supply in "PLAY BACK" mode a switching signal to the EURO-SCART socket. If the TV receiver is connected with a SCART cable to such VCR, it will automatically switch to "AV" mode as soon you turn the VCR to "PLAY BACK" mode. This way you can enjoy the VCR picture without switching channels.

■ SPECIFICATIONS OF THE CONNECTOR

1. Audio output 1, right channel $0.5 V_{RMS}$
2. Audio input 1, right channel $0.5 V_{RMS}$
3. Audio output 2, left channel $0.5 V_{RMS}$
4. GND (audio)
5. GND
6. Audio input 2, left channel $0.5 V_{RMS}$
7. RGB input, blue (B)
8. Switch signal video (status)
9. GND
10. Reserved for clock signals (not connected)
11. RGB input, green (G)
12. Reserved for remote control (not connected)
13. GND
14. GND (remote control) (not connected)
15. RGB input, red (R)
16. Switch signal RGB
17. GND (video)
18. GND
19. Video output 1 $V_{pp}/75 \text{ ohm}$
20. Video input 1 $V_{pp}/75 \text{ ohm}$
21. Shield



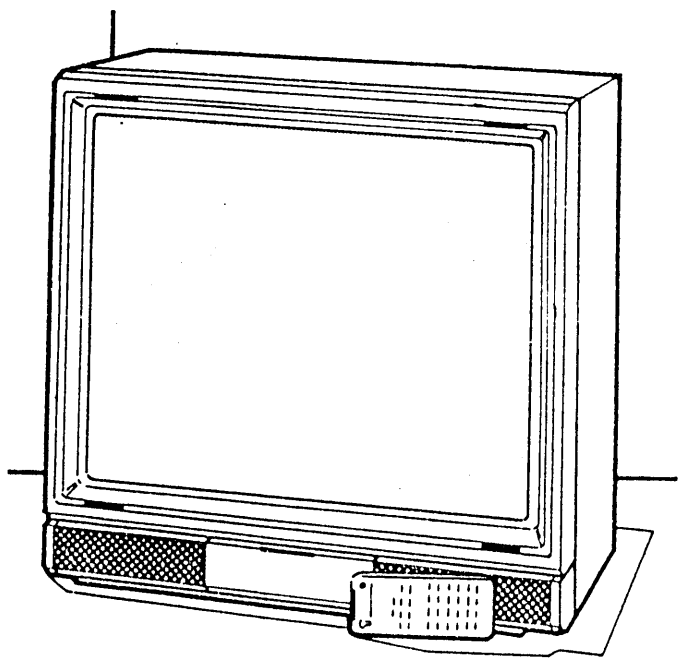
To connect a home VCR to the TV receiver, connect the coaxial cable from the RF OUT socket of the VCR to antenna socket of TV set, and connect the antenna cable to the RF IN socket of the recorder.



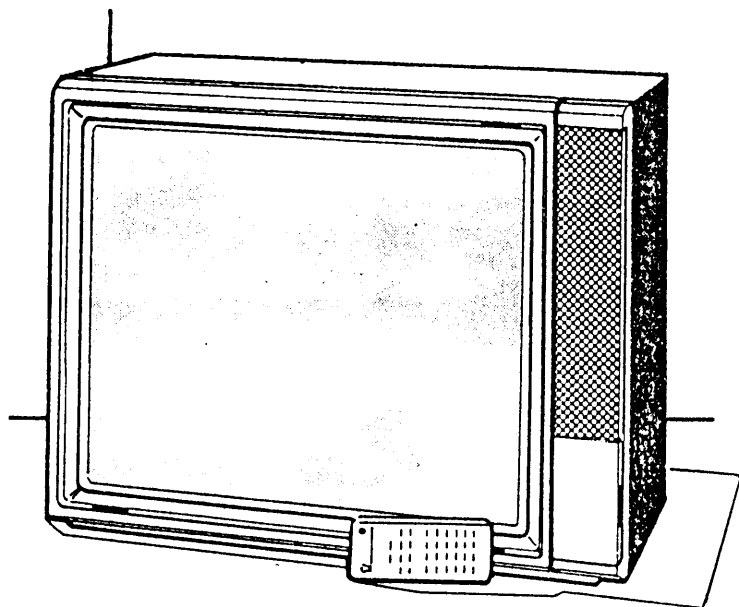
CTV 022A, CTV 022M,
CTV 025A, CTV 025M.

ЦВЕТНИ ТЕЛЕВИЗОРИ С ДИСТАНЦИОННО
УПРАВЛЕНИЕ

УПЪТВАНЕ ЗА ЕКСПЛОАТАЦИЯ

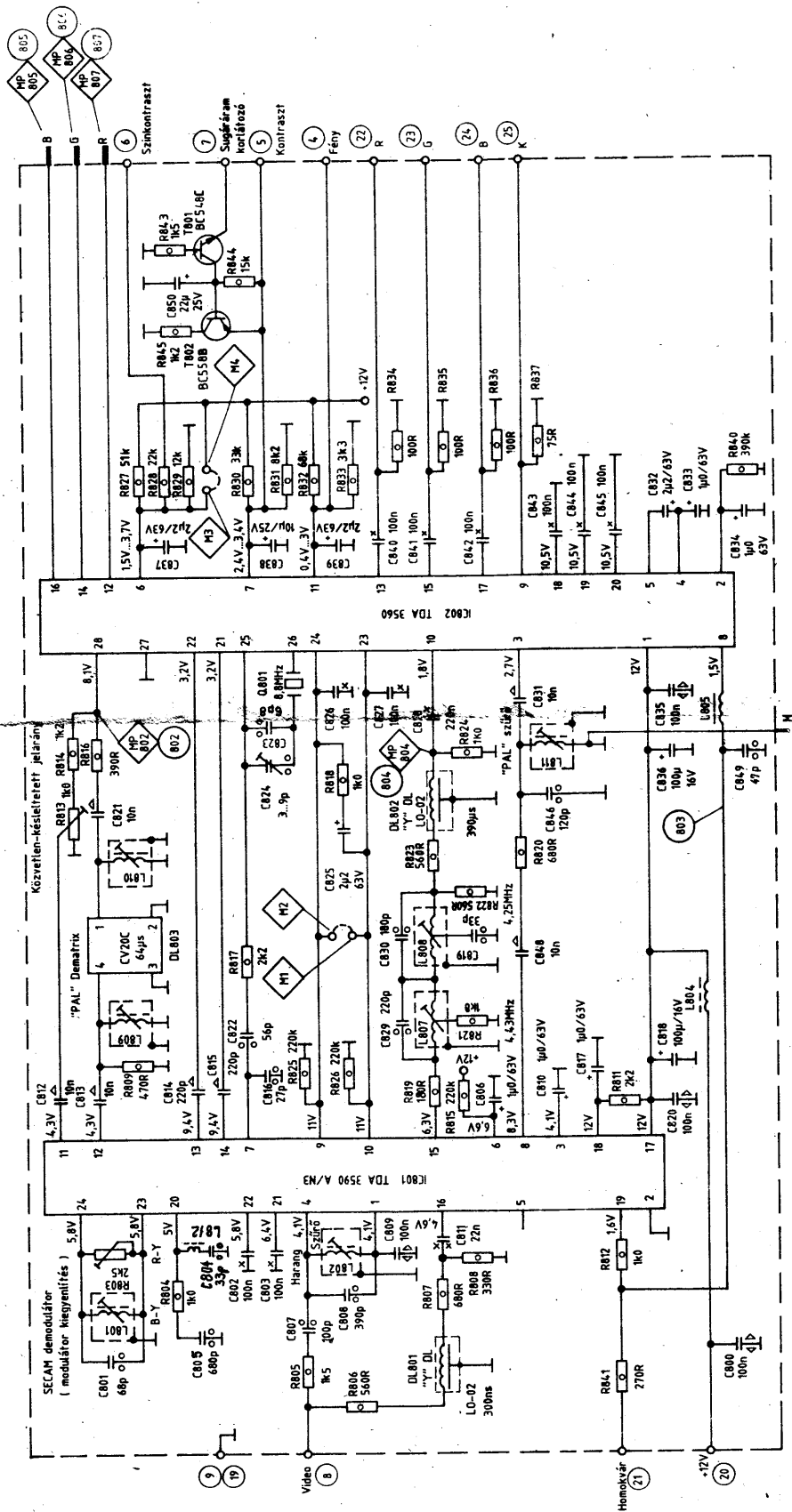


CTV 022M
CTV 025M

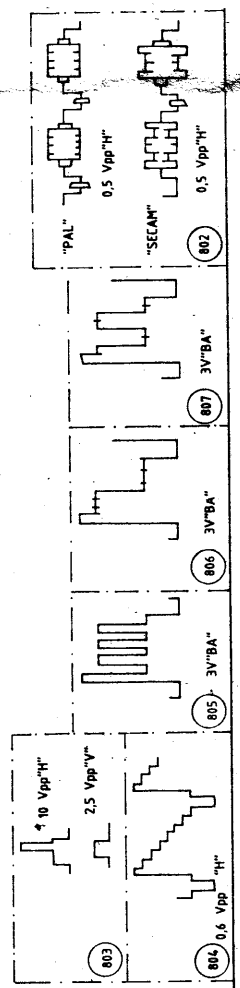


CTV 022A
CTV 025A

Молим преди включване на апарата да прочетете упътването ни
за експлоатация

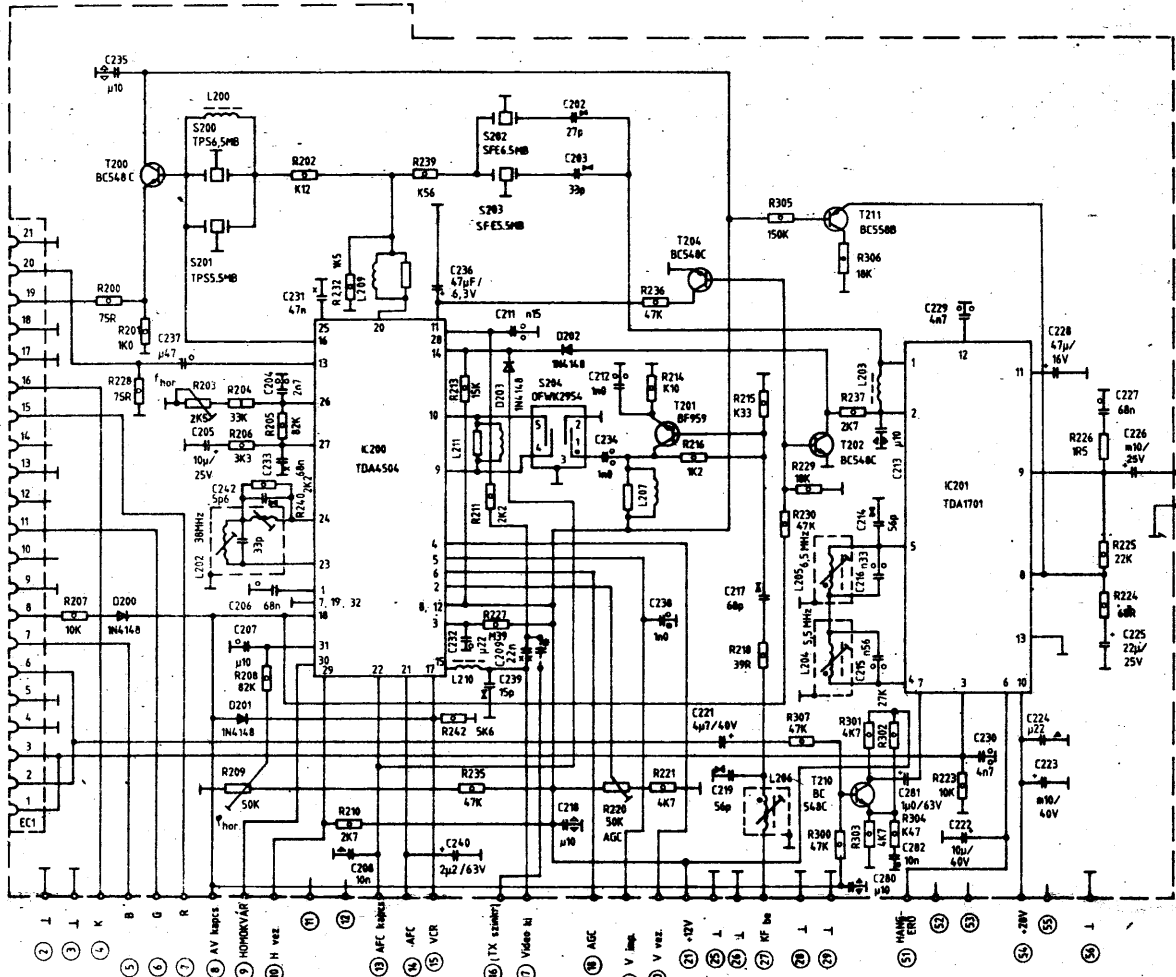


XA 048 B/8



Video out
1,0 Vpp 5mm
video output

audio out



- 3,9W
- 0,125W 63V
- 0,25W 100V
- 32V 160V
- 50V 250V
- 40V 400V

*-al jelölést alkalmazz a TX-es kivételével a jelölést helyre fordítva!

XA 050 M/11

