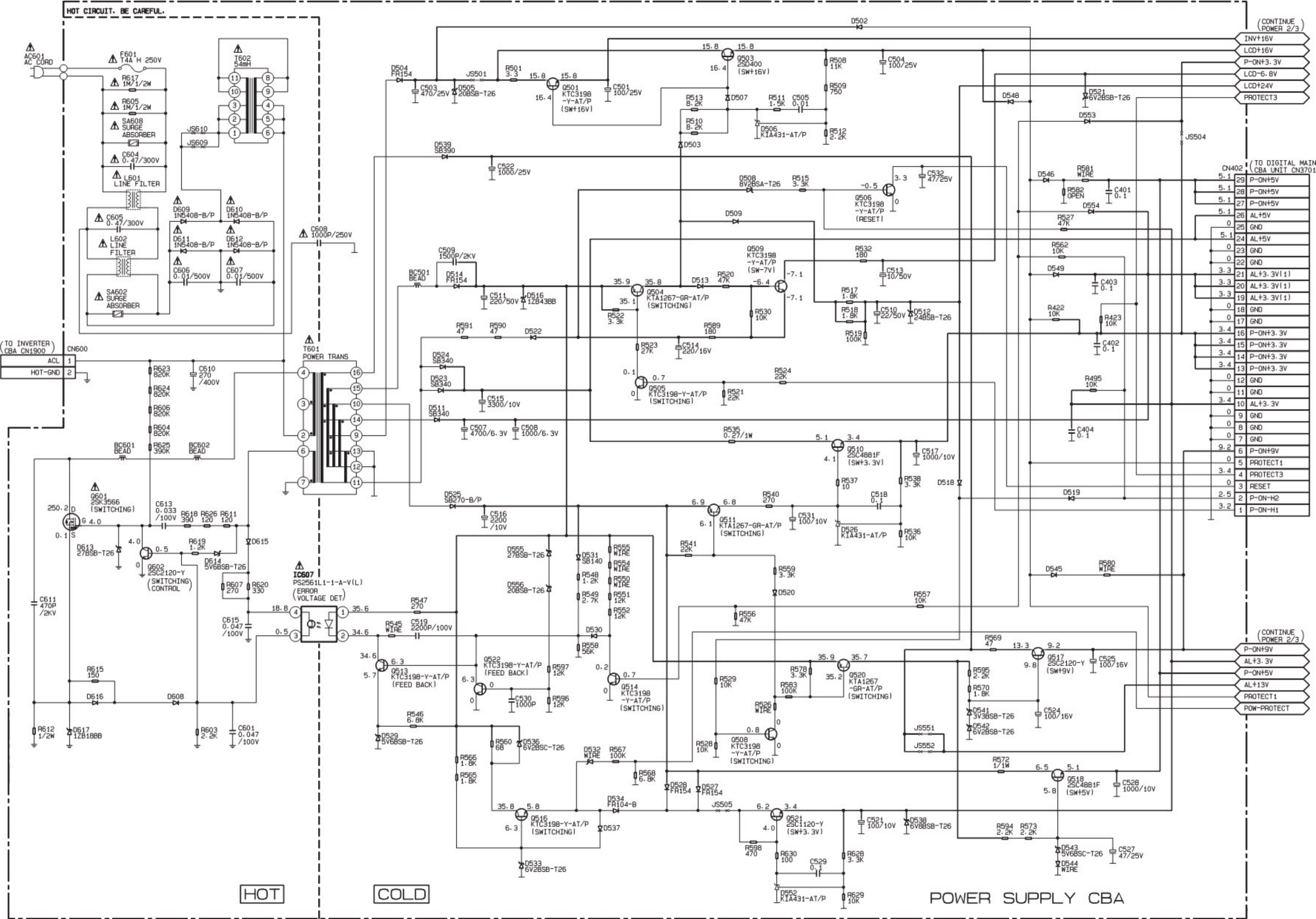


Otherwise it may cause some components in the power supply circuit to fail.



(CONTINUE POWER 2/3)

INVT+16V	
LCD+16V	
P-ON+3.3V	
LCD-6.8V	
LCD+24V	
PROTECT3	
29	P-ON+5V
5.1	P-ON+5V
28	P-ON+5V
5.1	P-ON+5V
26	AL+5V
0	GND
25	AL+5V
0	GND
24	GND
0	GND
22	GND
0	GND
3.3	21 AL+3.3V(1)
0	GND
3.3	20 AL+3.3V(1)
0	GND
0	18 GND
0	17 GND
3.4	16 P-ON+3.3V
0	GND
3.4	15 P-ON+3.3V
0	GND
3.4	14 P-ON+3.3V
0	GND
3.4	13 P-ON+3.3V
0	GND
0	12 GND
0	11 GND
3.4	10 AL+3.3V
0	GND
0	9 GND
0	8 GND
0	7 GND
9.2	6 P-ON+9V
0	GND
3.4	5 PROTECT1
0	GND
4	PROTECT3
0	GND
2.5	2 P-ON-H2
3.2	1 P-ON-H1

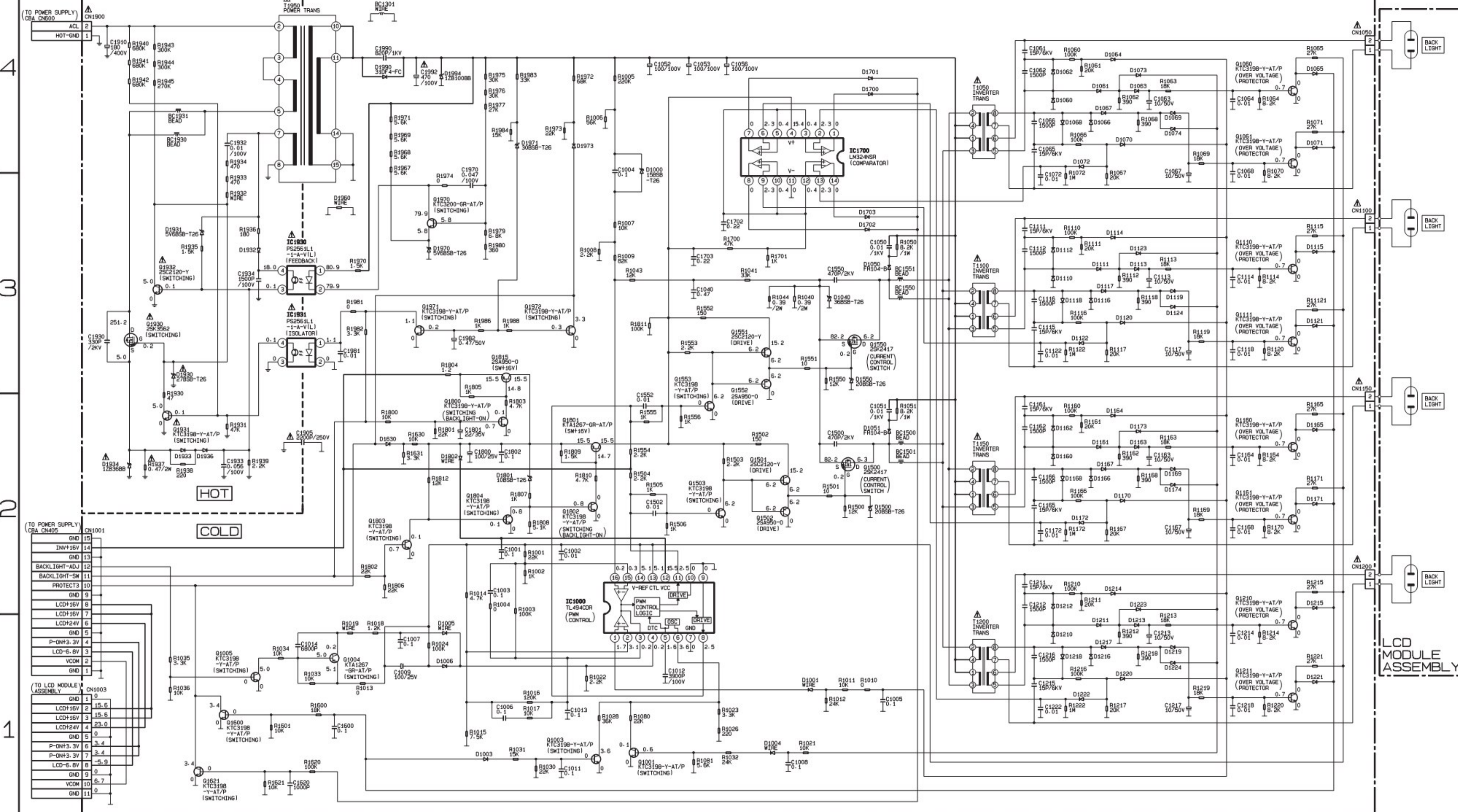
(CONTINUE POWER 2/3)

P-ON+9V
AL+3.3V
P-ON+5V
AL+13V
PROTECT1
POW-PROTECT

UNLESS OTHERWISE SPECIFIED: DIODES ARE 1SS133.

# INVERTER CBA

HOT CIRCUIT. BE CAREFUL.



4  
3  
2  
1

A B C D E F G

UNLESS OTHERWISE SPECIFIED, DIODES ARE 1SS133.