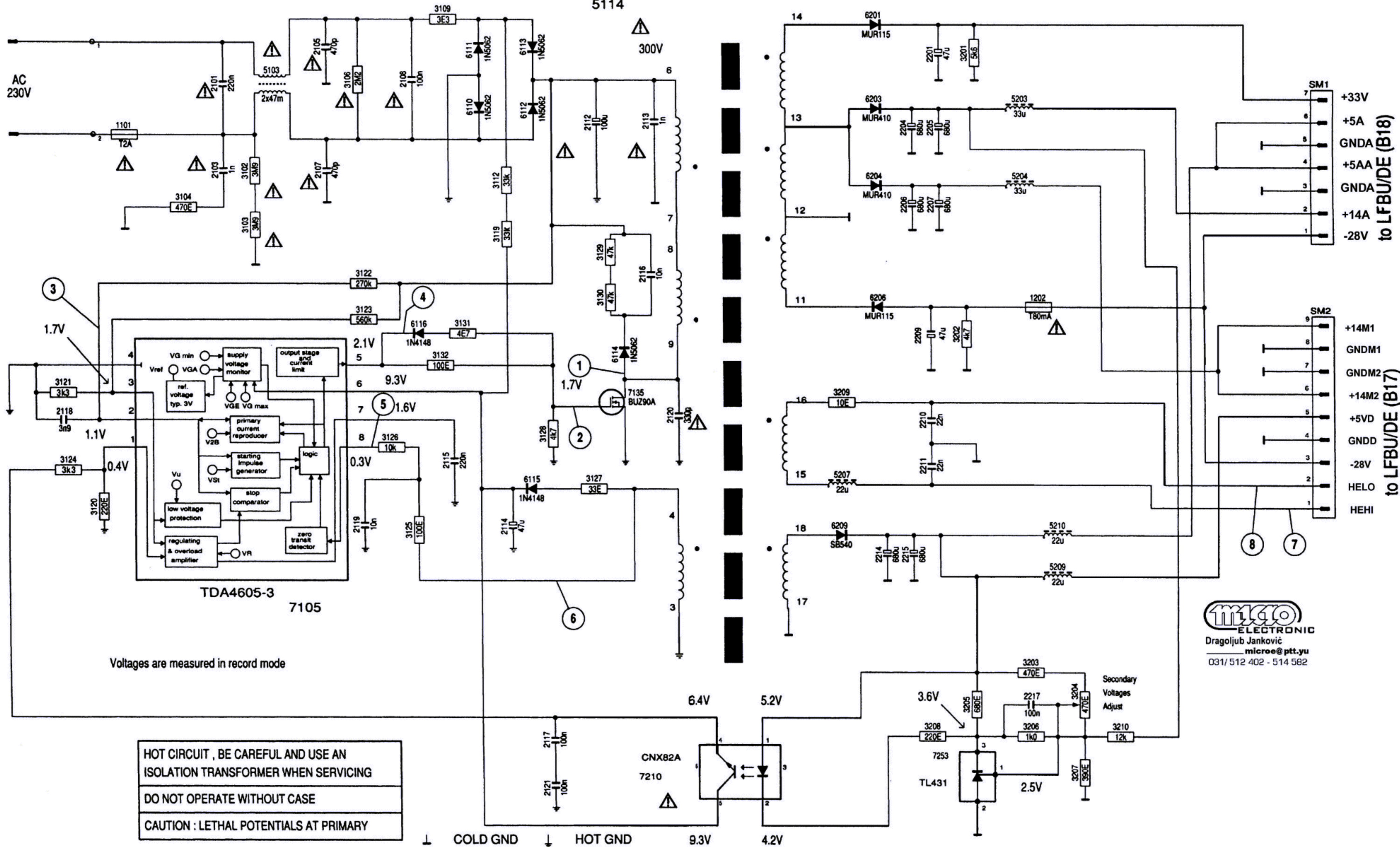


# SMPOWERTRANS

5114



Voltages are measured in record mode

HOT CIRCUIT , BE CAREFUL AND USE AN ISOLATION TRANSFORMER WHEN SERVICING  
DO NOT OPERATE WITHOUT CASE  
CAUTION : LETHAL POTENTIALS AT PRIMARY

⊥ COLD GND ⊥ HOT GND 9.3V 4.2V

**MICO**  
ELECTRONIC  
Dragoljub Jankovic  
microe@ptt.yu  
031/512 402 - 514 582