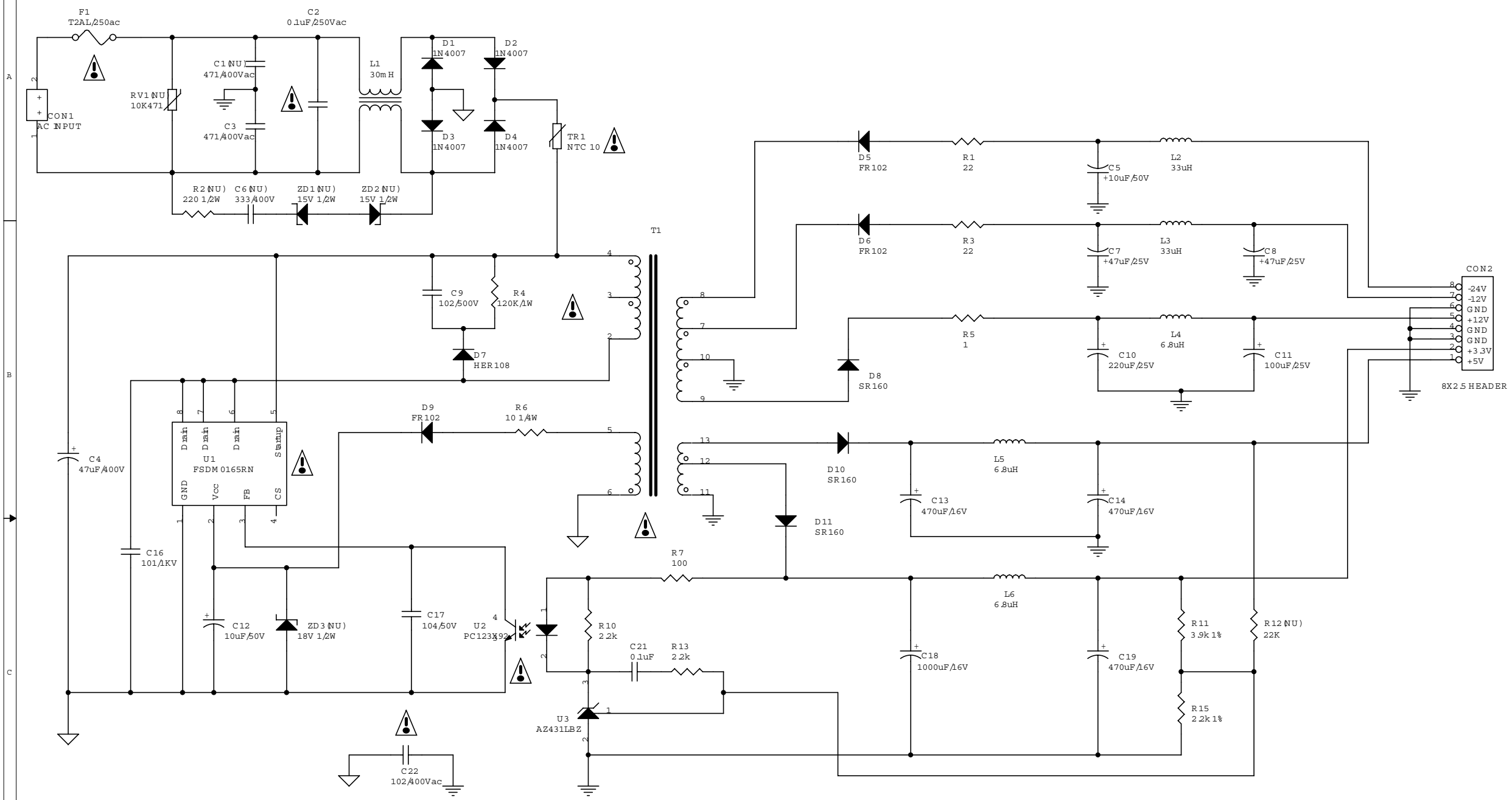



Power supply for DVP3XXX/XX



C1	A1
C2	A1
C3	A1
C4	B1
C5	A4
C6	A1
C7	B4
C8	B4
C9	B2
C10	B4
C11	B4
C12	C1
C13	B3
C14	B4
C16	C1
C17	C2
C18	C3
C19	C4
C22	C2
C21	C2
CON1	A1
CON2	B5
D1	A2
D2	A2
D3	A2
D4	A2
D5	A3
D6	B3
D7	B2
D8	B3
D9	B2
D10	B3
D11	C3
F1	A1
L1	A2
L2	A4
L3	B4
L4	B4
L5	B3
L6	C3
R1	A3
R2	A1
R3	B3
R4	B2
R5	B3
R6	B2
R7	C2
R10	C2
R11	C4
R12	C4
R13	C2
R15	C4
R17	C2
RV1	A1
T1	B2
TR1	A2
U1	B1
U2	C2
U3	C2
ZD1	A1
ZD2	A2
ZD3	C1

*** CAUTION :**
 THE PARTS MARKED WITH  ARE IMPORTANT PARTS ON THE SAFETY.
 PLEASE USE THE PARTS HAVING THE DESIGNATED PARTS NUMBER WITHOUT FAIL.

" PowerBoard Top Side

