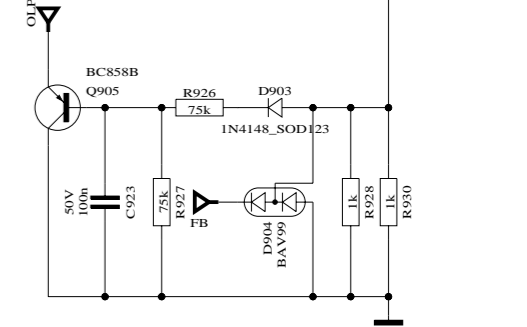
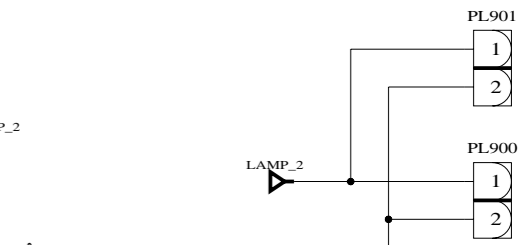
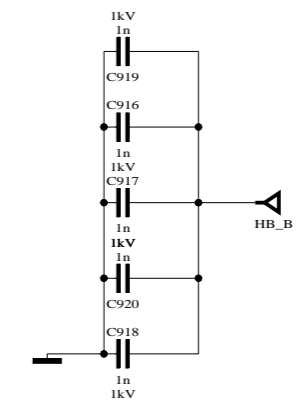
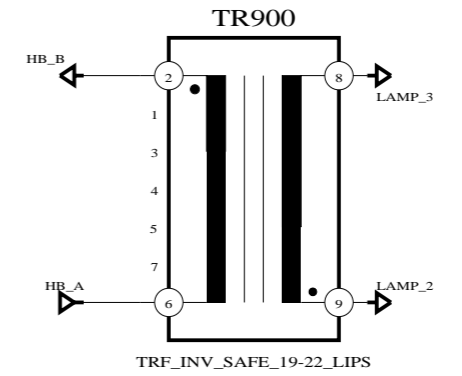
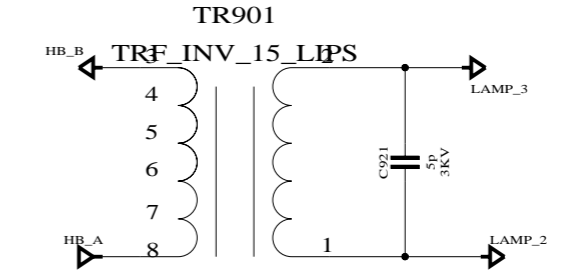
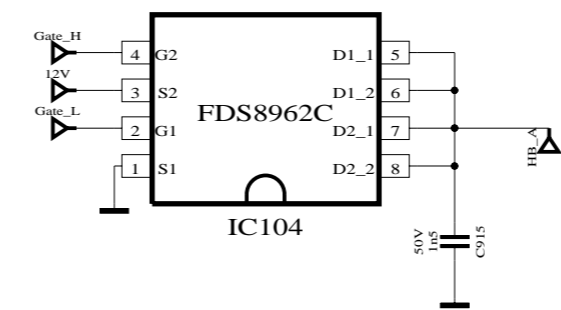
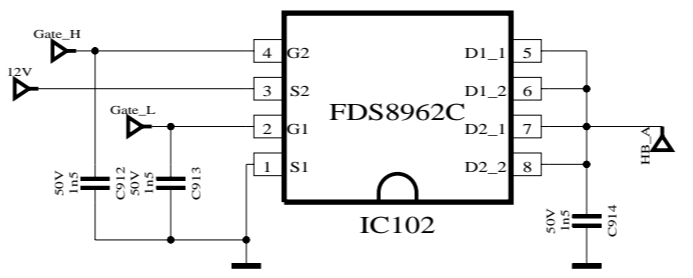
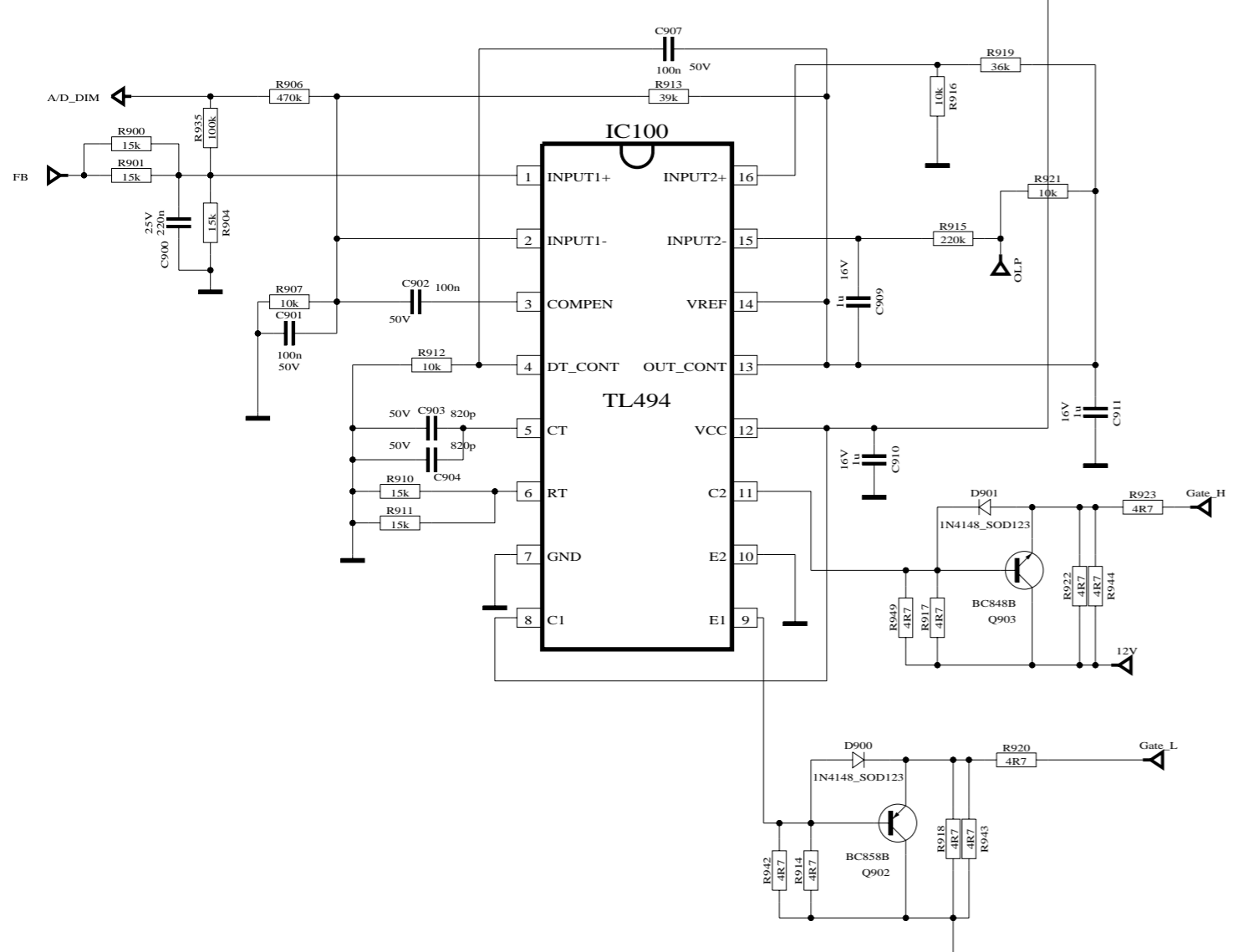
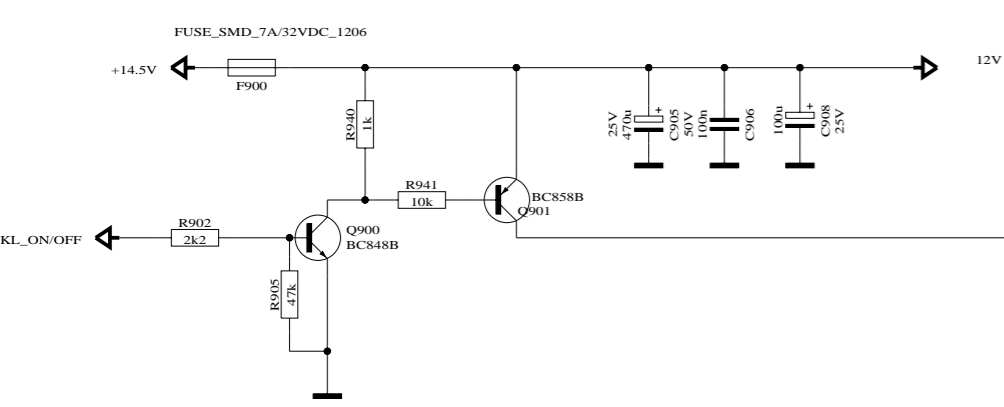
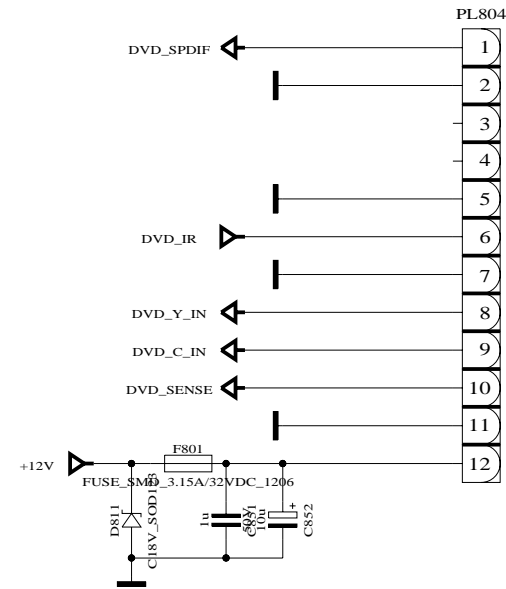
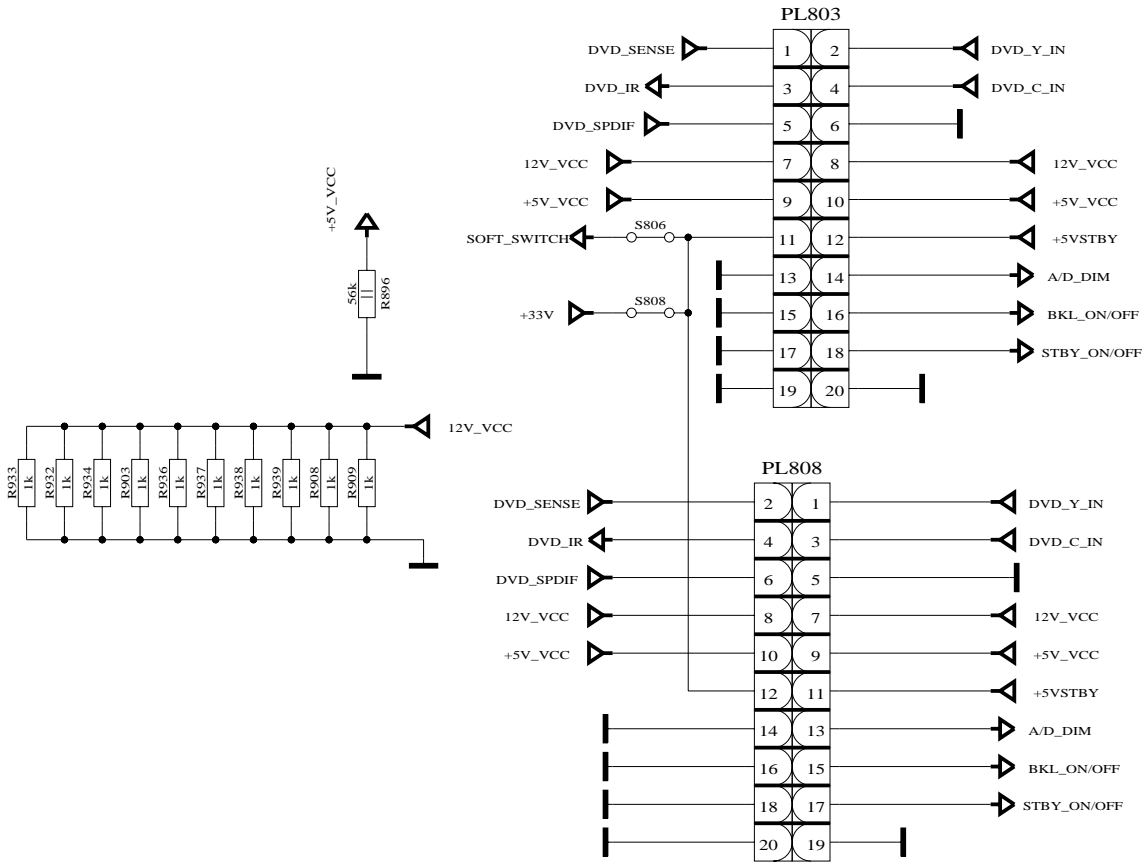


VESTEL 16'-19"LCD INTEGRATED POWER SUPPLY
17IPS16
—PPSU SECTIO

Ver.		DATE	Sheet
00	SMPS Group	13-02-2009	1/3



VESTEL 16'-19' LCD INTEGRATED POWER SUPPLY			
17IPS16		INVERTER SECTION	
Ver.	Author	DATE	Sheet
00	SMPS Group	13.02.2009	2/3



VESTEL 16'-19"LCD INTEGRATED POWER SUPPLY 17IPS16			
Ver.	SMPS Group	DATE	Sheet
00		13-02-2009	3/3