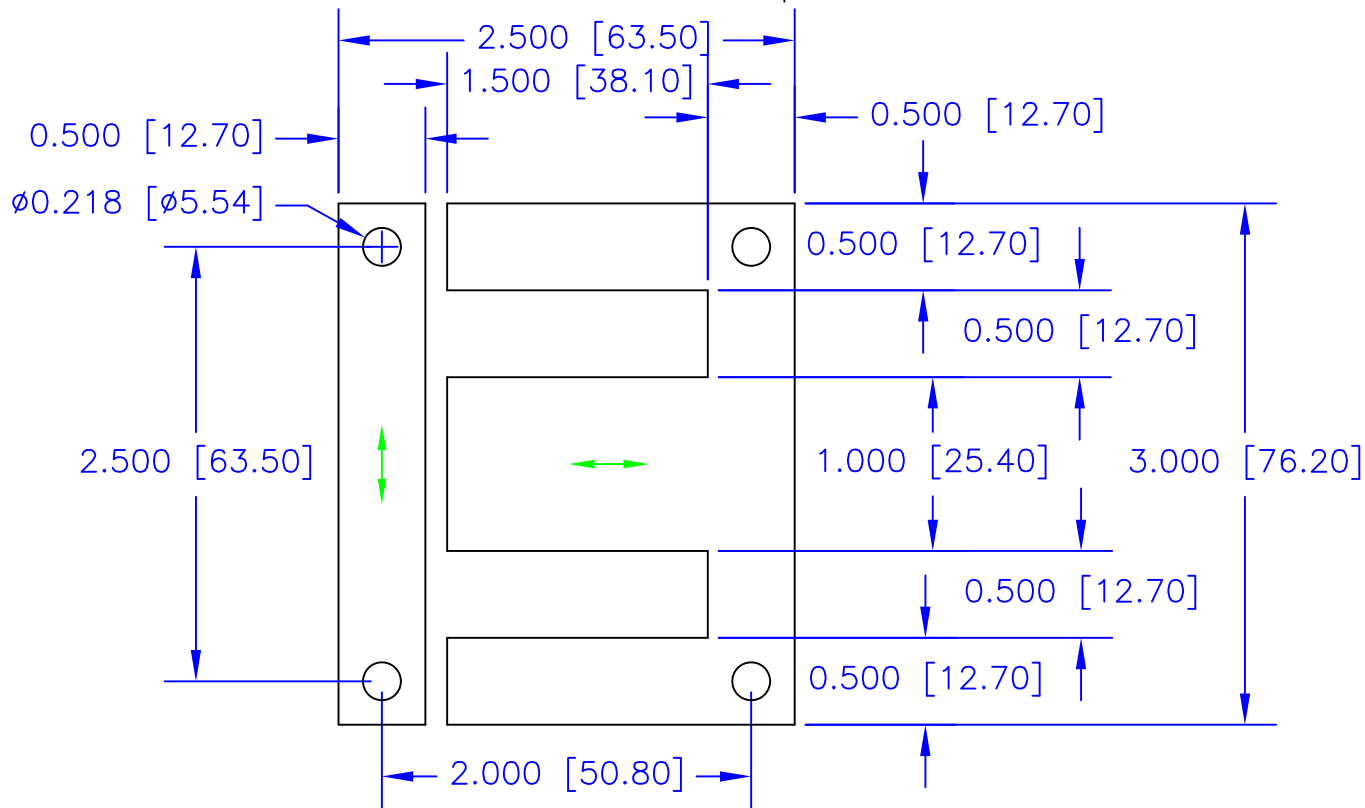


REVISIONS				
ZONE	REV	DESCRIPTION	DATE	APPROVED



←→ Line grain orientation.

General Application

1. Audio amplifiers; current, output, power.
2. Transformers: chokes and saturable reactors.
3. Ferro-resonated regulators.

Description: Has directional electrical characteristics.
Extreme high permeability and low core loss.

DIMENSIONS ARE IN INCHES [MILLIMETERS]. X.XXX = ±0.010 X.XX = ±0.03 ANGLES = ±0.05 UNLESS OTHERWISE SPECIFIED		EDCOR Electronics 7130 National Parks Highway, Carlsbad, NM 88220 Voice: (575)887-6790 Fax: (575)887-6880 www.edcorusa.com		
DRAWING BY Brian Weston		Date 9/2012		
CHECKED BY Brian Weston		SIZE A	FSCM NO.	DWG NO. 20000-EI100
APPROVED BY Larry Weston		Date 9/2012	SCALE: 1:1	©2012 EDCOR Electronics
SHEET: 1 of 1		REV		