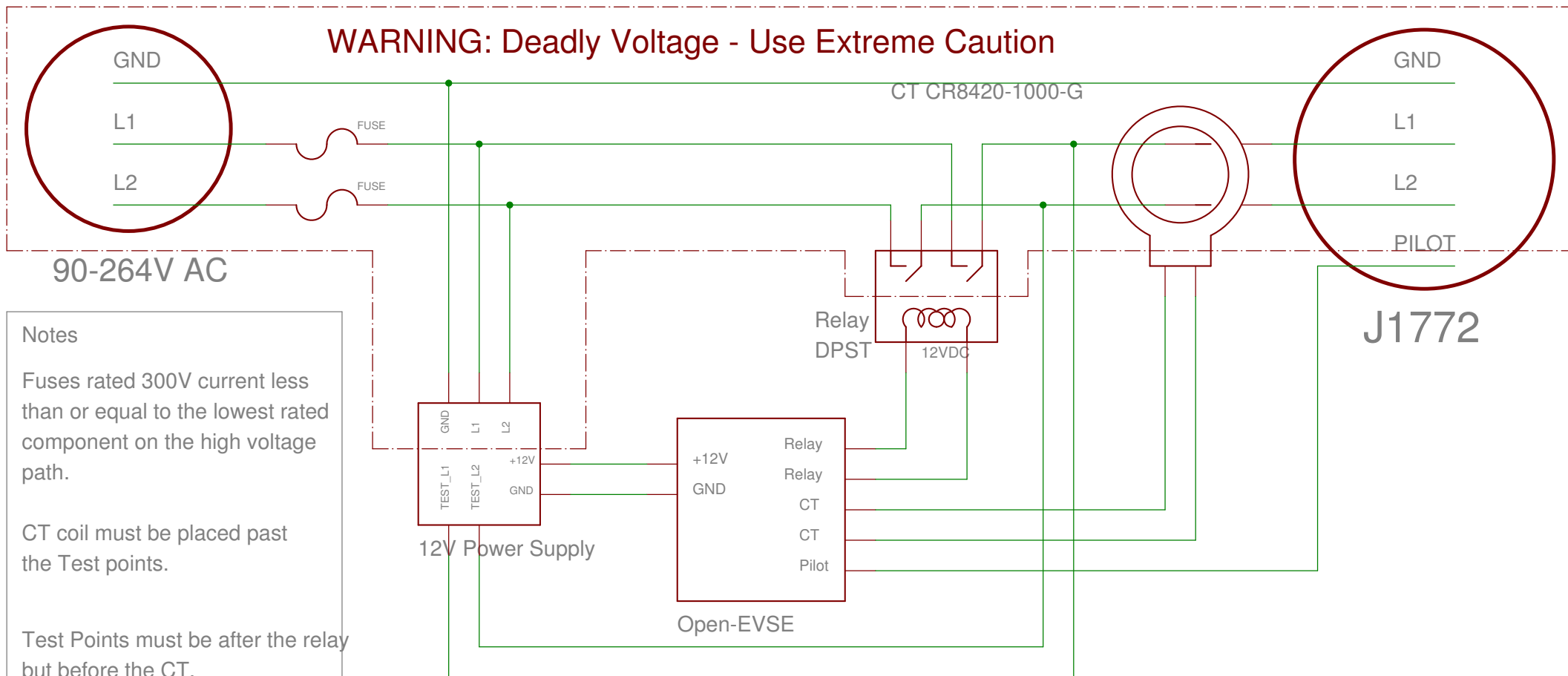


For More Information: <http://code.google.com/p/open-evse/>

## WARNING: Deadly Voltage - Use Extreme Caution



### Notes

Fuses rated 300V current less than or equal to the lowest rated component on the high voltage path.

CT coil must be placed past the Test points.

Test Points must be after the relay but before the CT.

For More Information: <http://code.google.com/p/open-evse/>