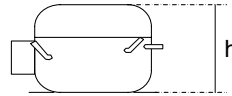


OPERATION:

Application:	L.B.P.	Max. Ambient Temp:	43°C
Refrigerant:	R600a	(1) Max. Steady Discharge Temp:	120°C
Operation:	Capillary	(1,2) Max. Peak Discharge Temp:	135°C
Cooling:	Static	Max. Steady Condensing Temp:	60°C
		(2) Max. Peak Condensing Temp:	70°C
		Max. Winding Temp:	130°C
		Max. Impurities:	30 mg
		Max.Total Compressor Water Content:	100 mg

COMPRESSOR:

Displacement:	11.14 cc	Oil Type:	Mineral
Bore:	25.40 mm	(4) Viscosity:	10 cSt
Stroke:	22.00 mm	Suction Muffler:	Semi-direct
(3) Net Wt:	9.1 kg		
Case Size:	2 (h = 165.5 mm)		
Oil Charge:	170 cc		



ELECTRICAL:

Power Supply:	220 - 240V	Motor Type:	RSCR
Voltage Limits:	187 - 264V	Locked Rotor Current:	12.7 / 6.36 A**
Frequency:	50 Hz		
Phase:	1 ph		
		Main Winding Resistance at 25°C:	14.6 Ω
		Start Winding Resistance at 25°C:	14.0 Ω

** Maximum current / Measured after 4 seconds

- (1) Measured 5cm. from the shell with insulated thermocouples
- (2) For transient conditions during 'Pull Down'
- (3) Net weight is with oil but without electrics
- (4) Measured at 40°C

For rated performance,

the suction line must be connected to the stub marked 'AS' on the attached drawing.

A run capacitor must be used with RSCR and CSR compressors.

ELECTRICAL COMPONENTS:

ECC Starting Device: K 100-xx
 (1) ZEM Starting Device: PTC- 7100DT / 8100
 ZEM PTC Resistance: 14 Ω
 'Combo' PTC Resistance: 14 Ω
 Run Capacitor: 5.0 μF

-xx Protector short code

PROTECTORS:

PROTECTORS	BDG ¾	Combo	Electrica ¾	Texas ¾	Texas 4TM
Type	AE 72 FU x	C2-265 NFBYY xx	T 0762 / xx	MRA 38057 xxxx	4TM 265 NFBYY xx
Open °C	115 - 125 °C	115 - 125 °C	115 - 125 °C	115 - 125 °C	115 - 125 °C
Close °C	71 - 53 °C	70 - 52 °C	70 - 52 °C	70 - 52 °C	70 - 52 °C
U.T.C	2.1 A 70 °C	1.90 A 70 °C	1.83 A 70 °C	1.75 A 70 °C	1.90 A 70 °C
Time Check Current	8.6 A	9.2 A (5-15s)	7.30 A	6.35 A	9.2 A (5-15s)
Max. Current	17.0 A	17.2 A (2s max.)	20.0 A	12.8 A	17.2 A (2s max.)
Code (if any)	FP	29	H0	V4	408
Alt. protectors:	AF 72 FU x DT				

PTC-71.. / 81.. and Combo are for Terminal Cover version only.

(1) BDG protector AF type is for use with PTC-71.. only, and PTC-71.. is only fitted with BDG protector.

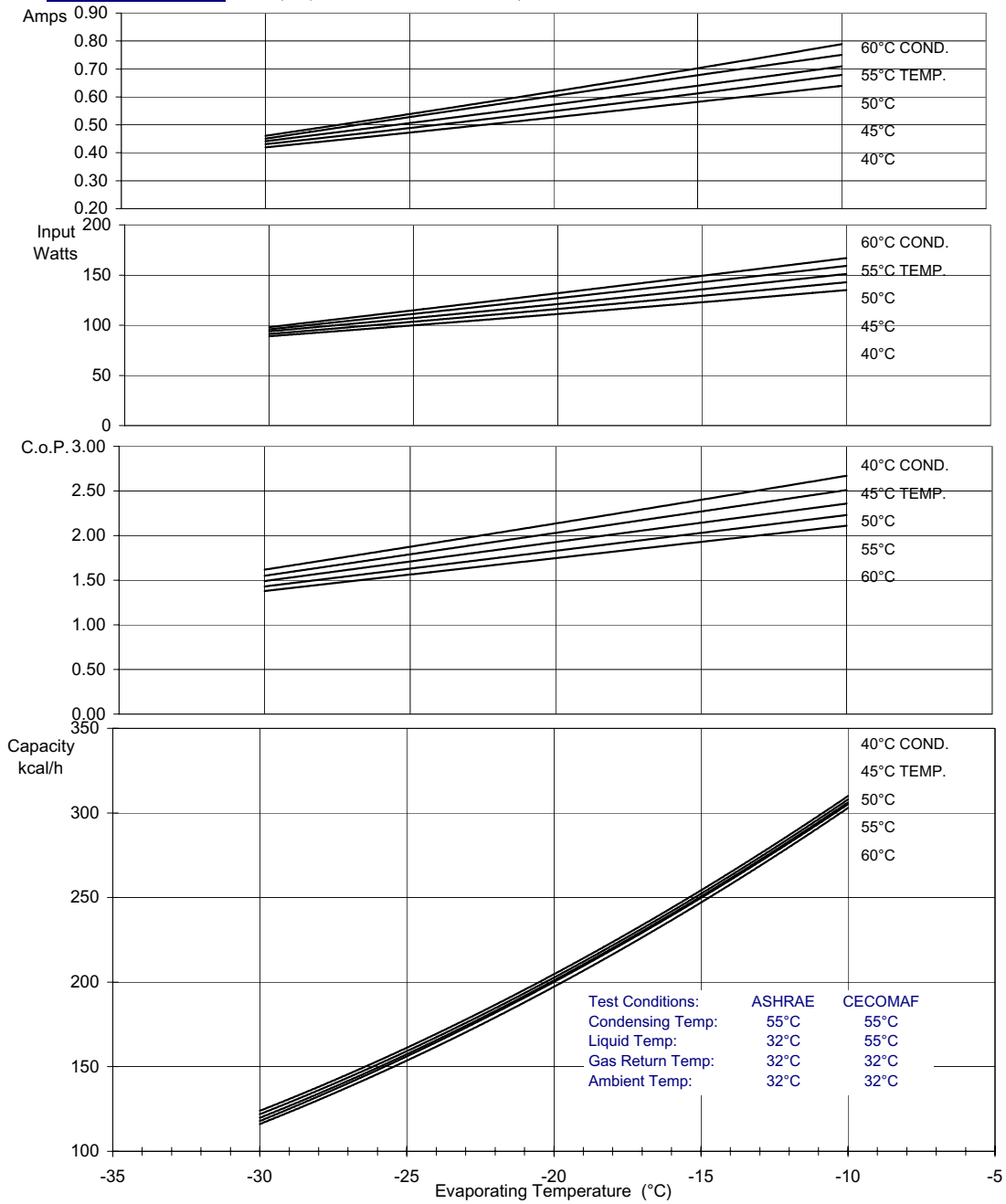


HTK12AA

PRODUCT SPECIFICATION

PERFORMANCE: (Graphs are at ASHRAE conditions)

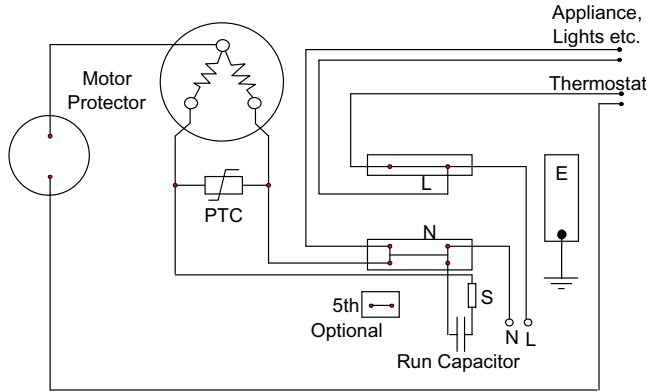
220V 50Hz



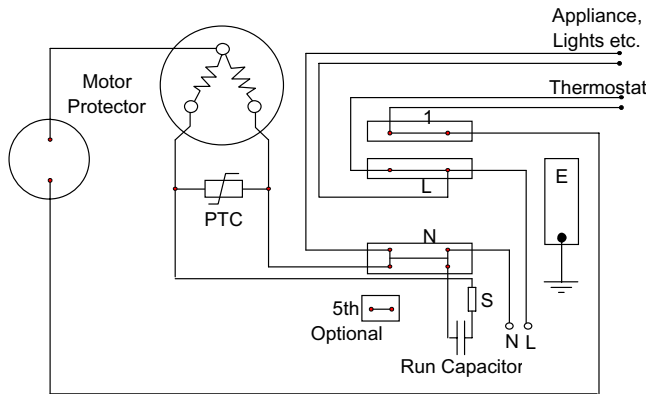
Test Conditions:	ASHRAE	CECOMAF
Condensing Temp:	55°C	55°C
Liquid Temp:	32°C	55°C
Gas Return Temp:	32°C	32°C
Ambient Temp:	32°C	32°C

	Evaporating Temperature °C	-30	-25	-23.3	-20	-15	-10	
ASHRAE:	Capacity	Kcal/h	118	156	170	200	250	305
	C.o.P.	W / W	1.43	1.63	1.70	1.83	2.03	2.23
CECOMAF:	Capacity	W	113	149		191	239	291
	C.o.P.	W / W	1.18	1.34		1.50	1.67	1.83
	Input Power	W	96	111	116	127	143	159
	Current	A	0.45	0.53	0.55	0.60	0.68	0.75

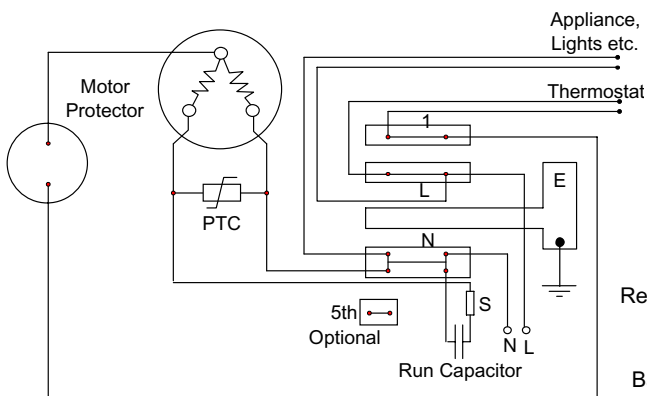
Circuit Diagram for ECC Terminal Board Standard Version



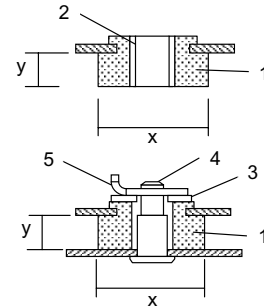
Circuit Diagram for ECC Terminal Board Frontal Version



Circuit Diagram for ECC Terminal Board Rast 5 Version



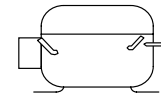
Mounting Accessories



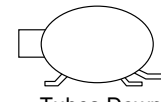
x = 26mm or 28.5mm
y = 9mm or 10.3mm
Other sizes available

1. Rubber grommet
2. Sleeve
3. Washer
4. Steel pin
5. Clip

Recommended Transport Positions when fitted into appliances



Upright



Tubes Down

Compressor Label

