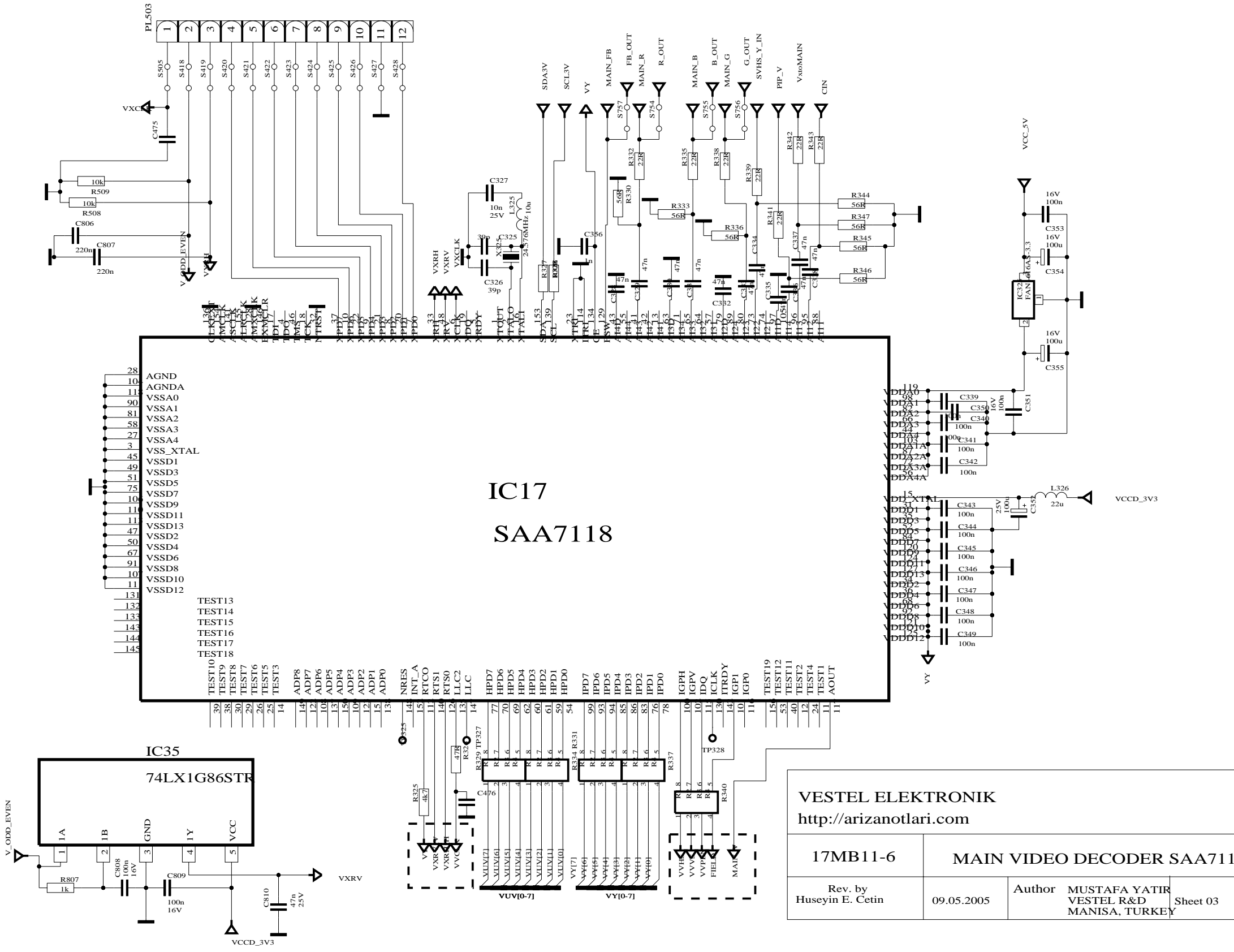


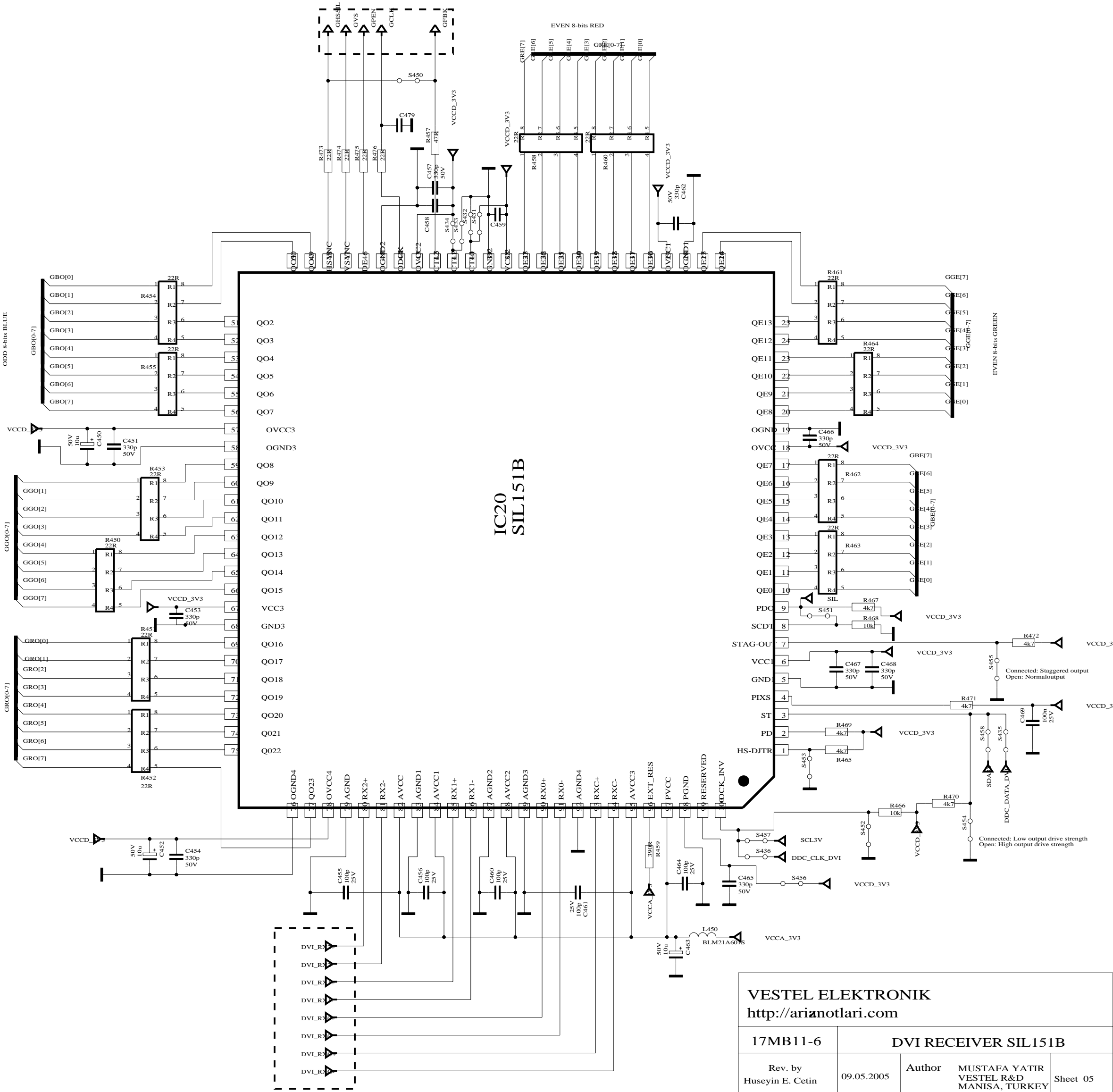
VESTEL ELEKTRONIK				
http://ariznotlari.com				
17MB11-6		A/V Board IN/OUT		
Rev. by Huseyin E. Cetin	09.05.2005	Author MUSTAFA YATIR VESTEL R&D MANISA, TURKEY	Sheet 02	



IC17
SAA7118

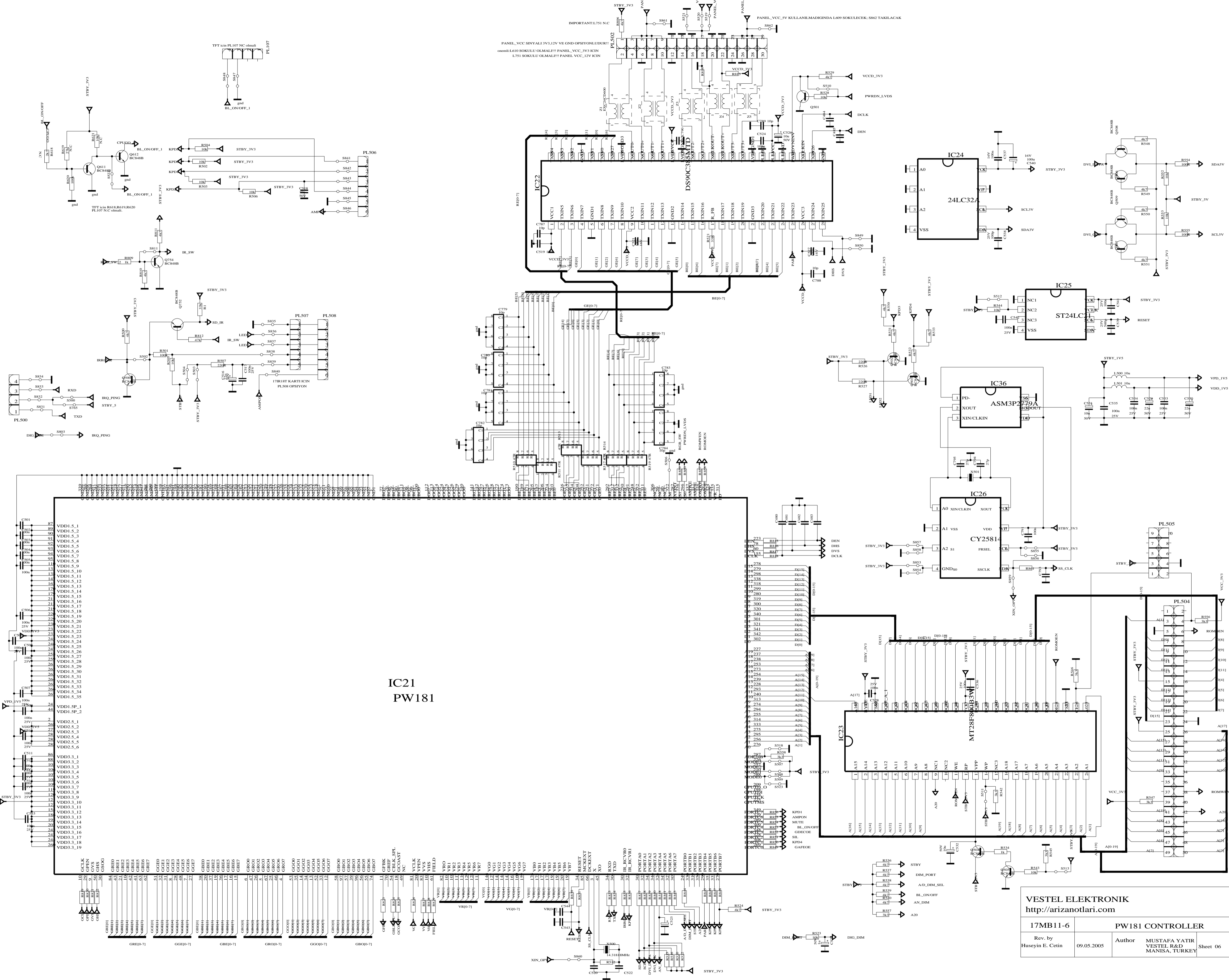
VESTEL ELEKTRONIK
<http://arizanotlari.com>

17MB11-6	MAIN VIDEO DECODER SAA7118	Author	MUSTAFA YATIR VESTEL R&D MANISA, TURKEY
Rev. by Huseyin E. Cetin	09.05.2005	Sheet 03	



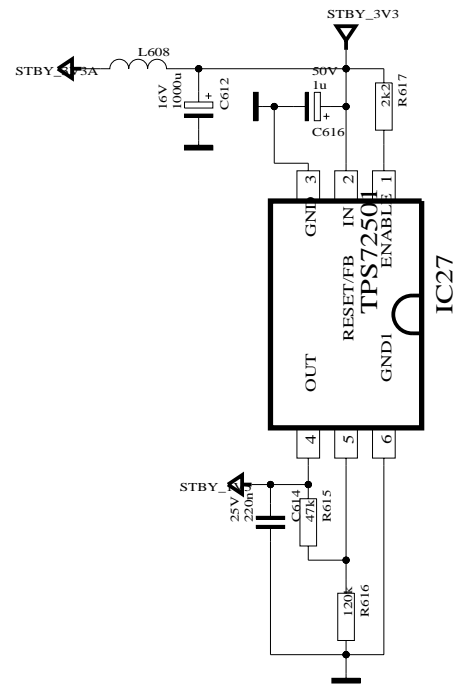
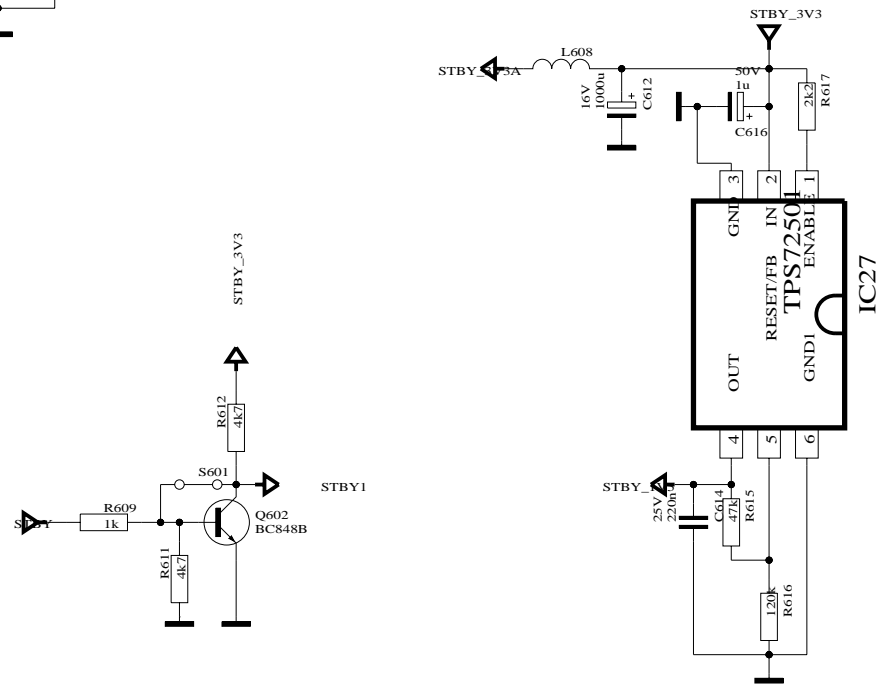
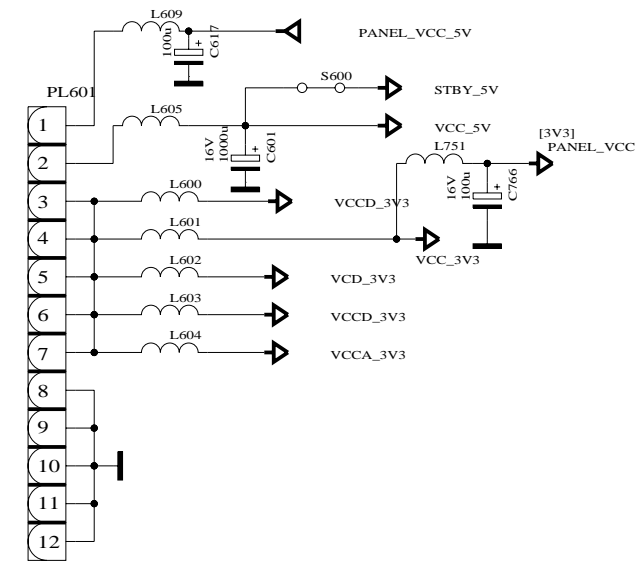
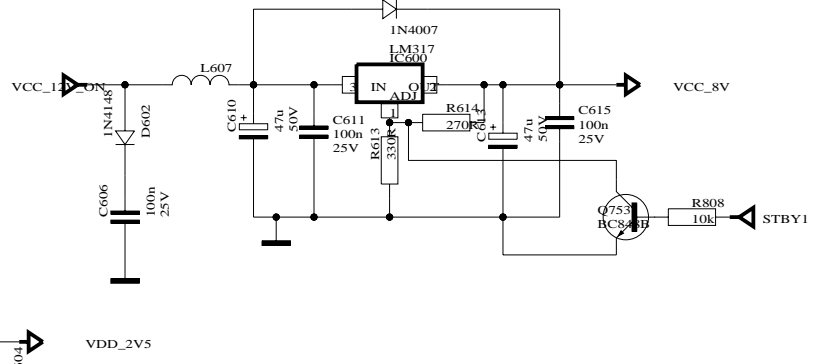
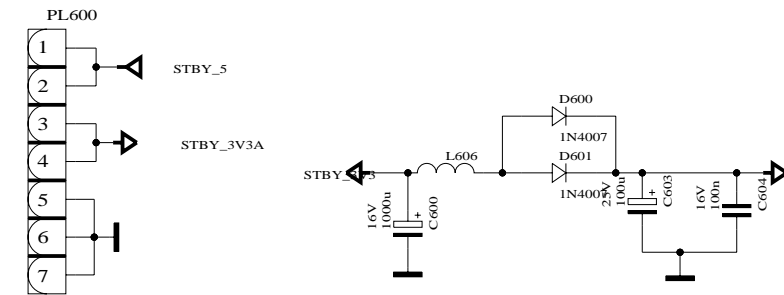
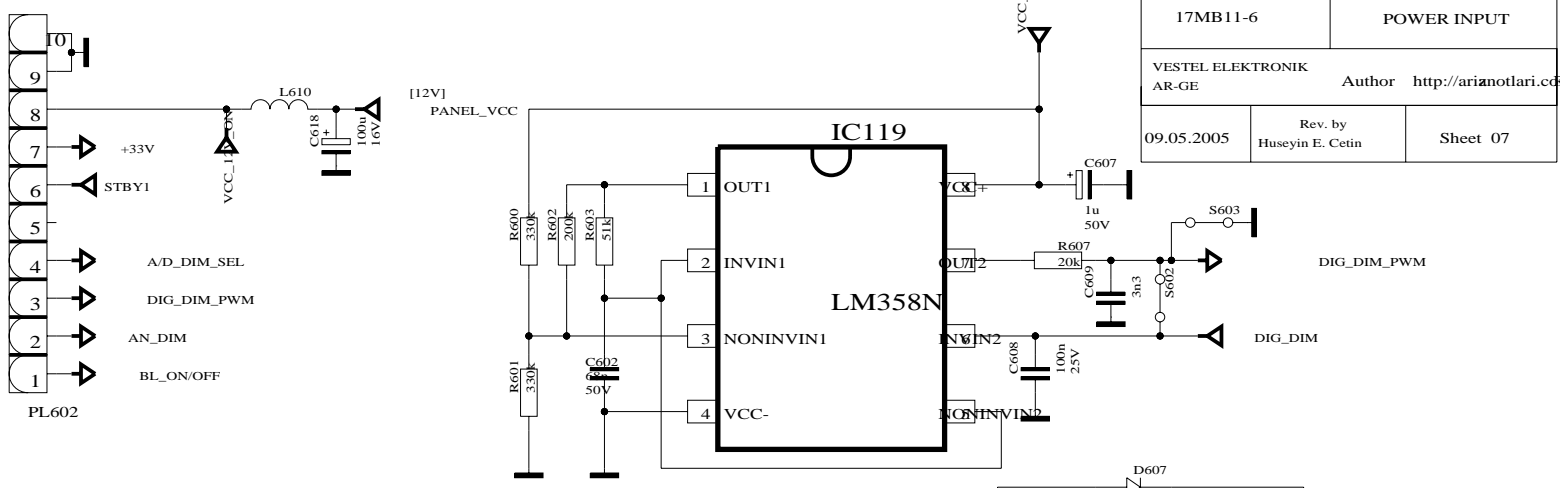
VESTEL ELEKTRONIK
<http://ariznotlari.com>

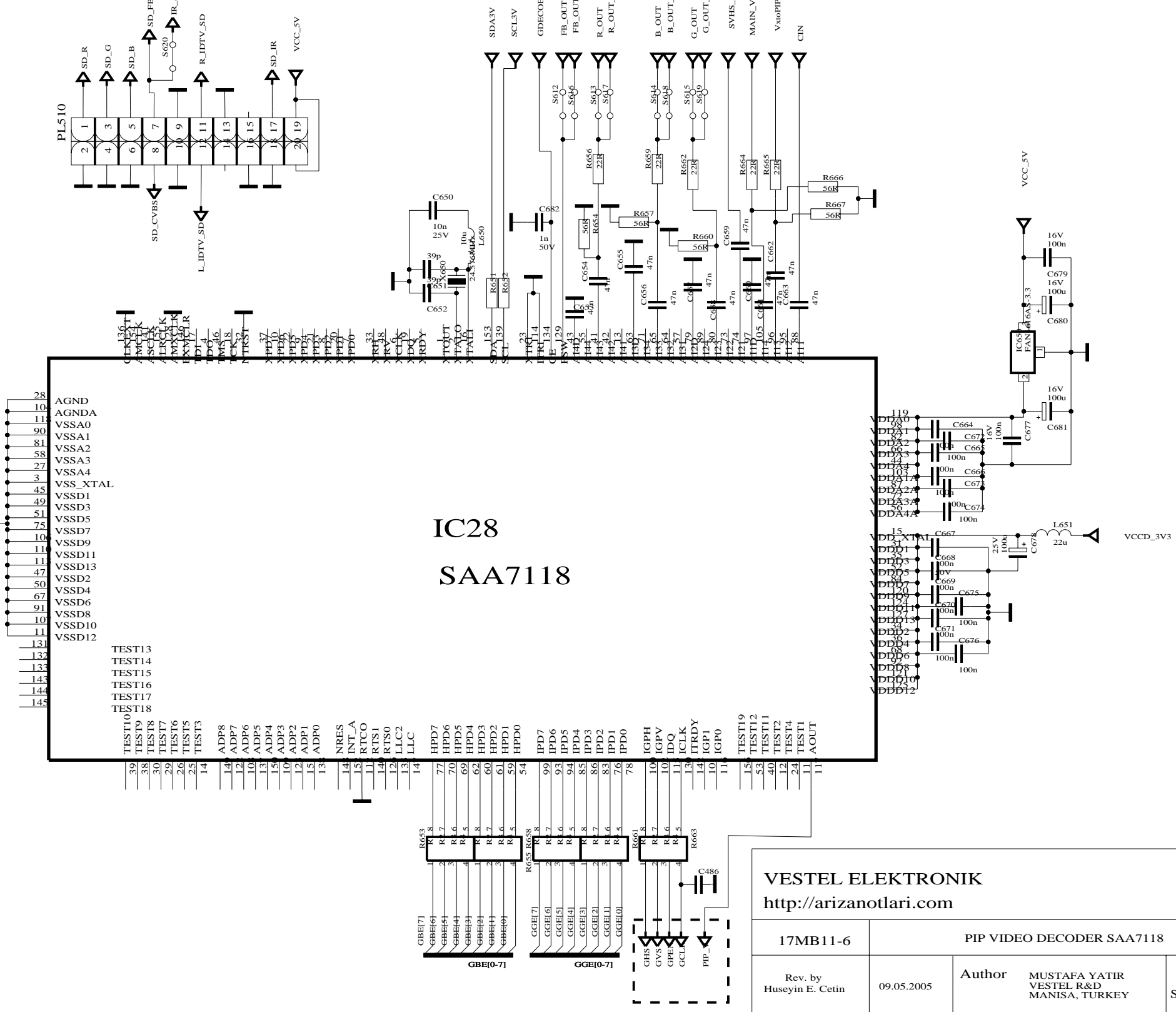
17MB11-6		DVI RECEIVER SIL151B		
Rev. by Huseyin E. Cetin	09.05.2005	Author MUSTAFA YATIR VESTEL R&D MANISA, TURKEY	Sheet 05	



VESTEL ELEKTRONIK http://arizantolari.com	
17MB11-6	PW181 CONTROLLER
Rev. by Huseyin E. Cetin	Author MUSTAFA YATIR VESTEL R&D MANISA, TURKEY
09.05.2005	Sheet 06

17MB11-6		POWER INPUT	
VESTEL ELEKTRONIK AR-GE		Author http://arianotlari.com	
09.05.2005	Rev. by Huseyin E. Cetin	Sheet 07	

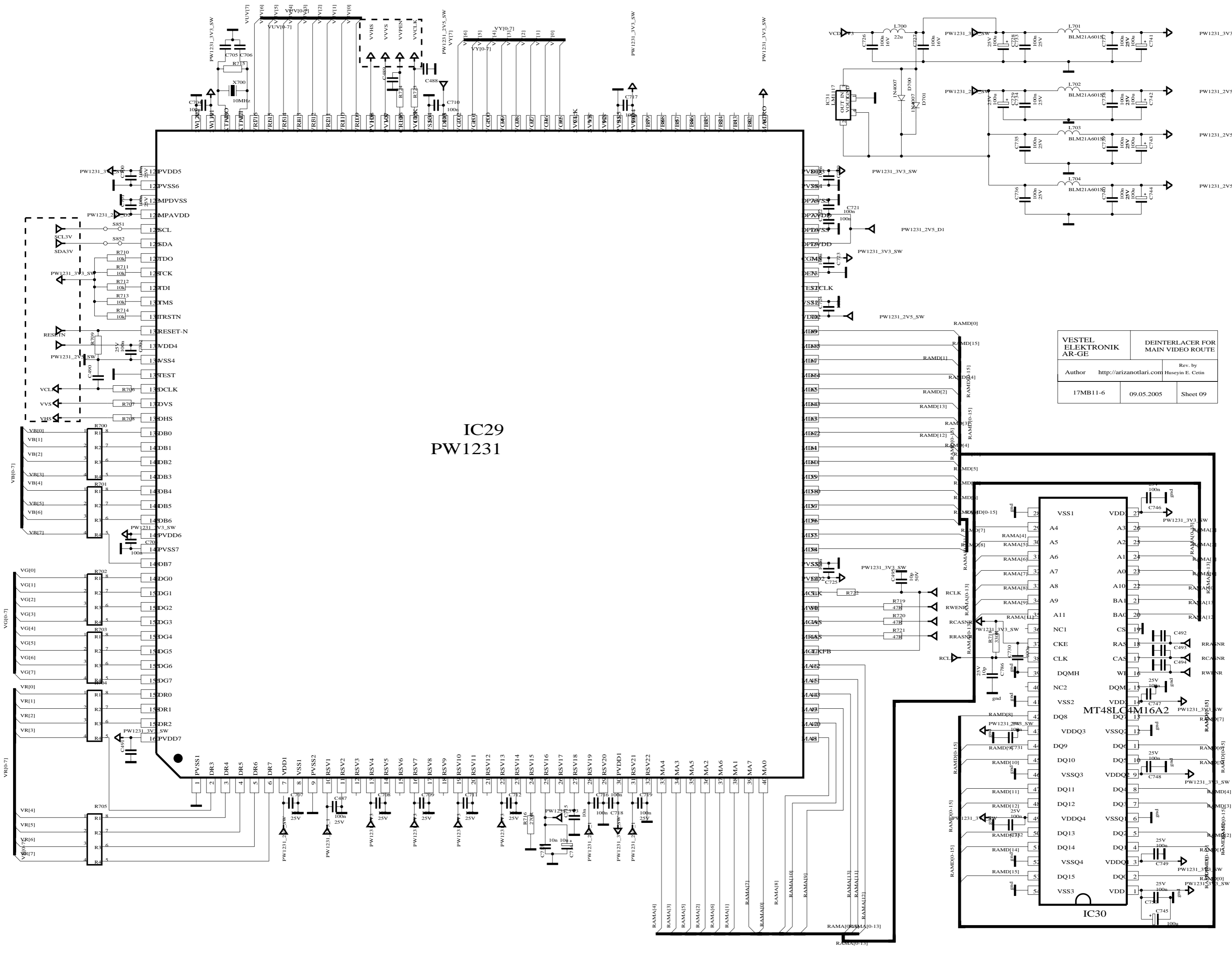




IC28
SAA7118

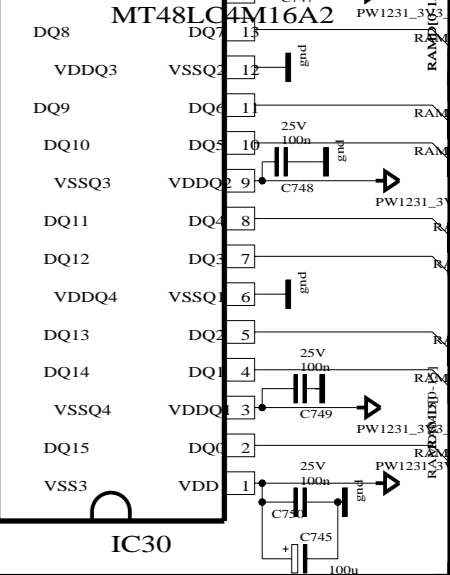
VESTEL ELEKTRONIK
<http://arizanotlari.com>

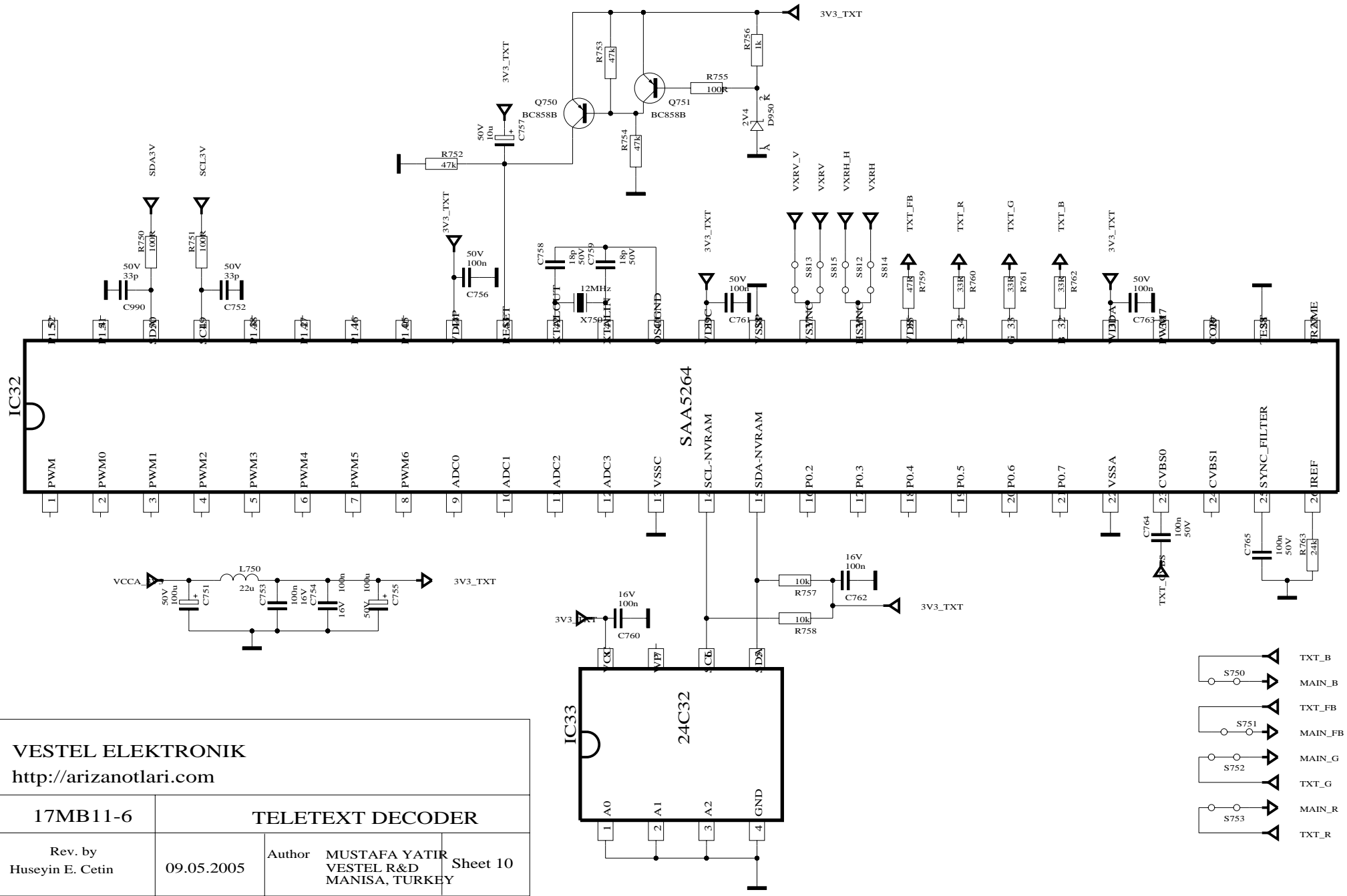
17MB11-6	PIP VIDEO DECODER SAA7118		
Rev. by Huseyin E. Cetin	09.05.2005	Author MUSTAFA YATIR VESTEL R&D MANISA, TURKEY	Sheet 08



IC29
PW1231

VESTEL ELEKTRONIK AR-GE		DEINTERLACER FOR MAIN VIDEO ROUTE	
Author	http://arizantolari.com	Rev. by	Huseyin E. Cetin
17MB11-6	09.05.2005	Sheet	09





VESTEL ELEKTRONIK http://arizanotlari.com			
17MB11-6	TELETEXT DECODER		
Rev. by Huseyin E. Cetin	09.05.2005	Author MUSTAFA YATIR VESTEL R&D MANISA, TURKEY	Sheet 10

