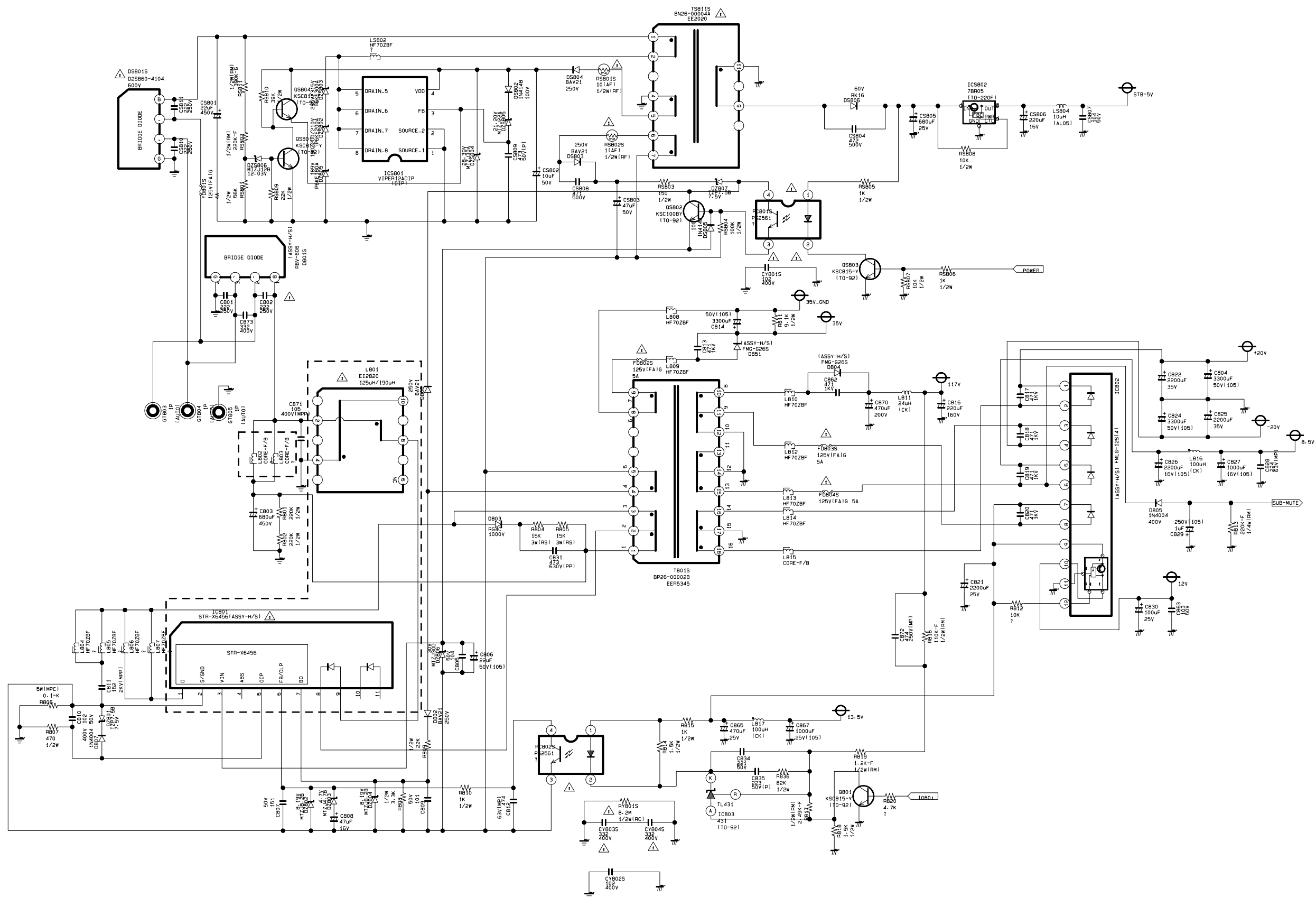


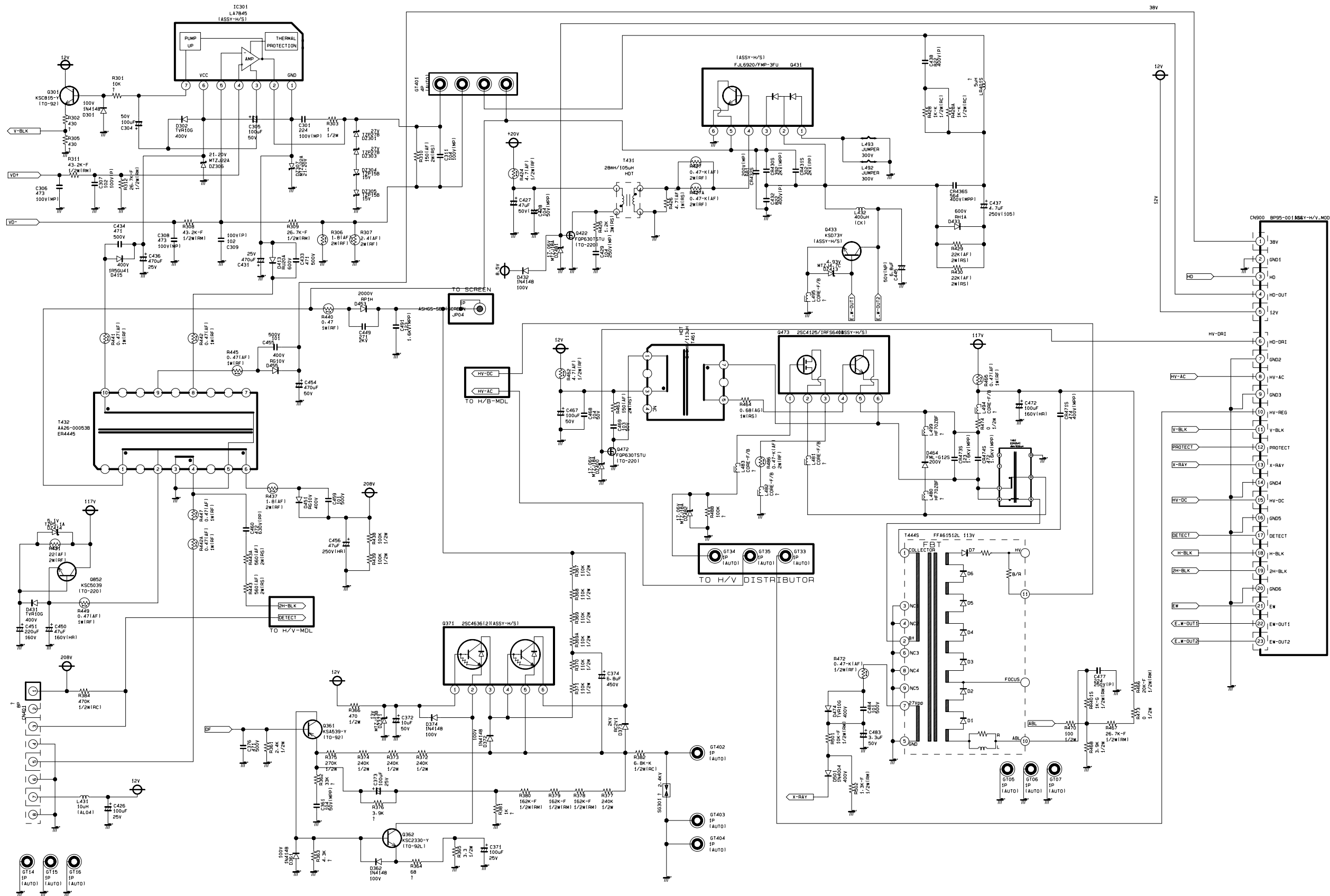
6-11 SUB 1

This Document can not be used without Samsung's authorization.



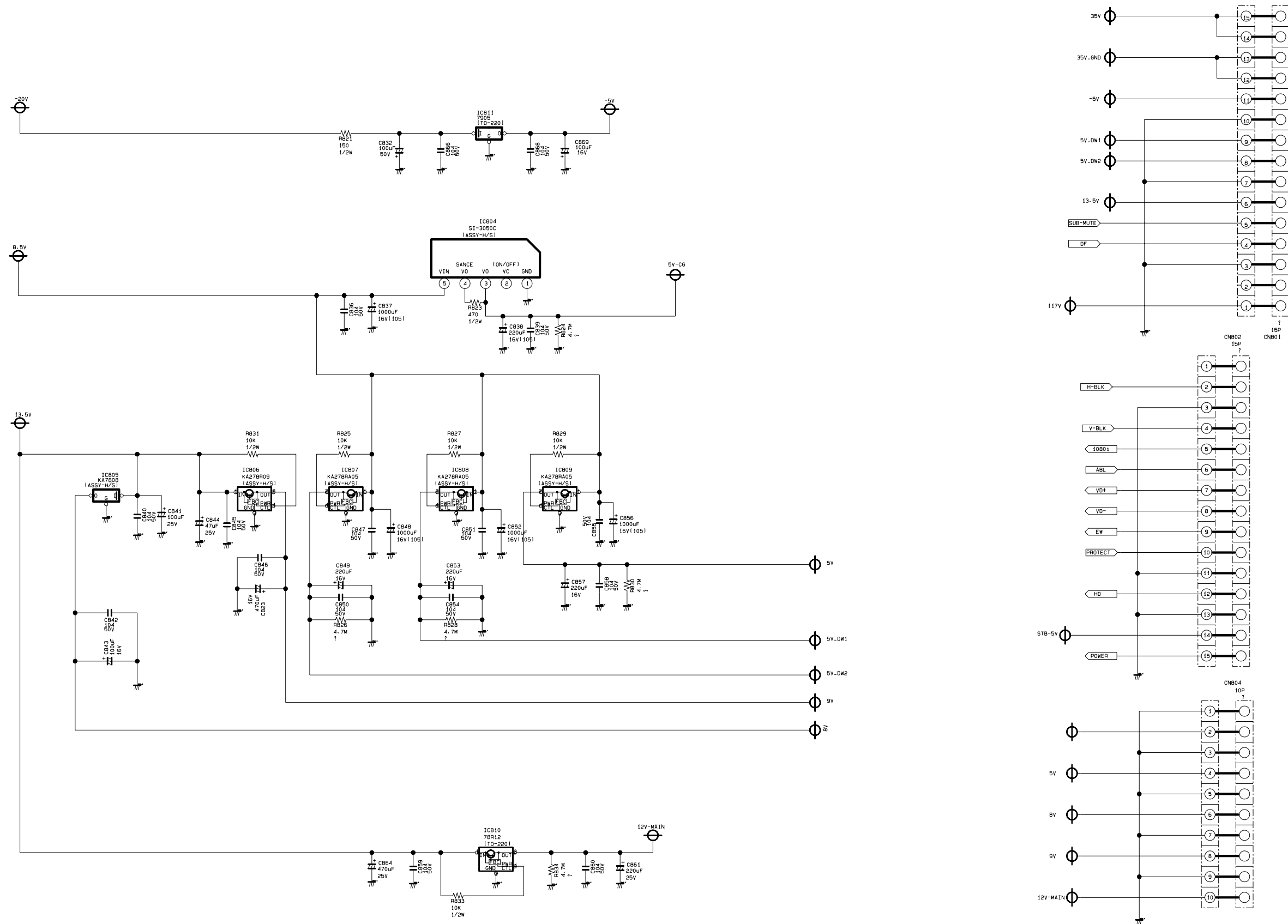
6-12 SUB 2

This Document can not be used without Samsung's authorization.



6-13 SUB 3

This Document can not be used without Samsung's authorization.



6-14 SUB 4

This Document can not be used without Samsung's authorization.

