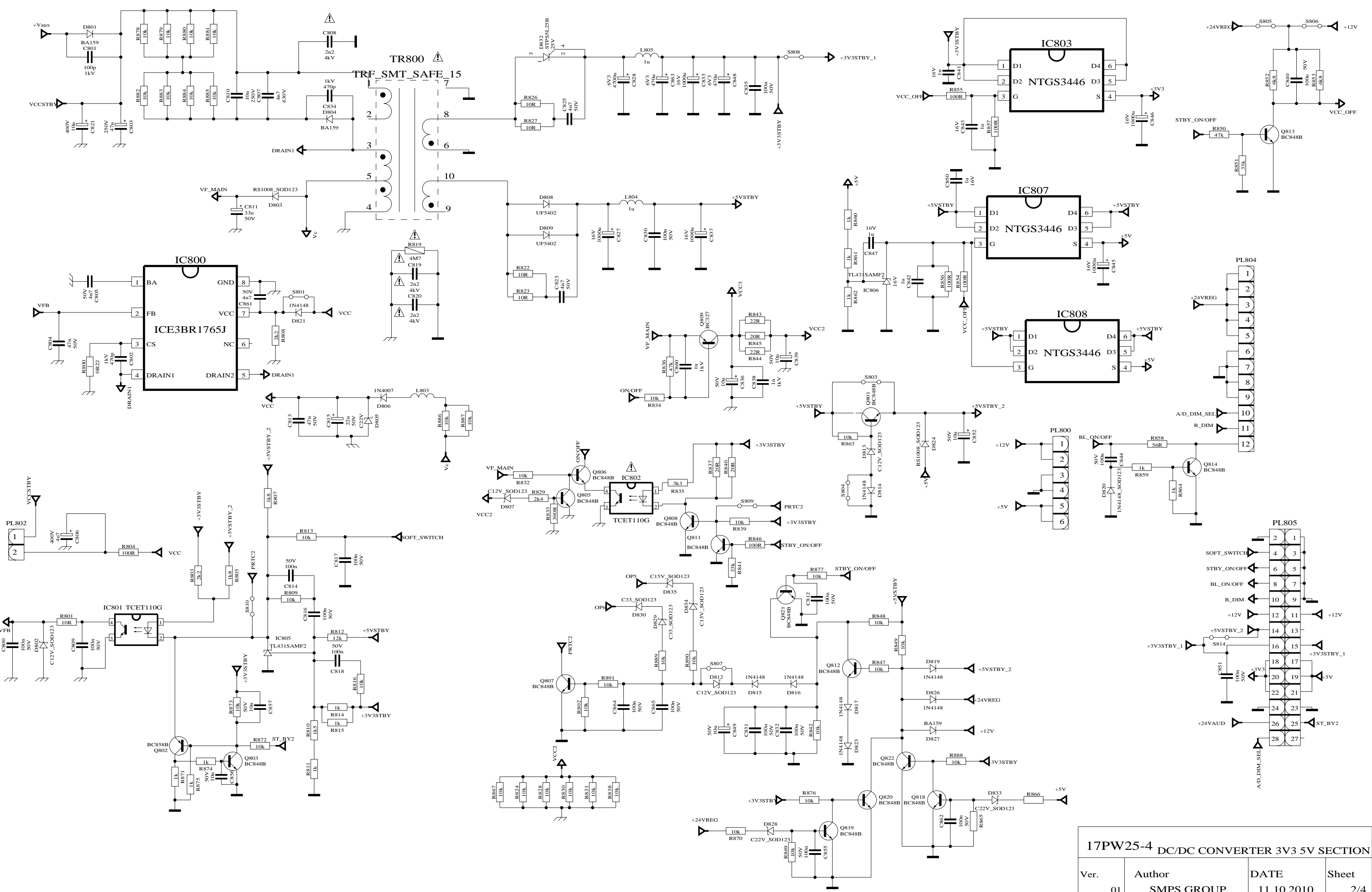


**17PW25-4 — PFC FLYBACK PSU SECTION**

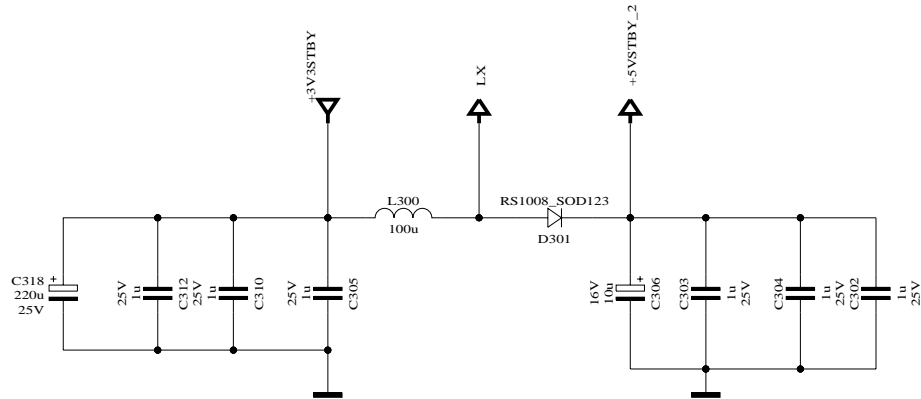
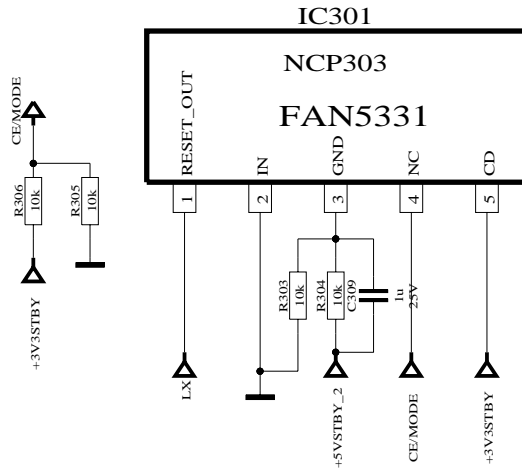
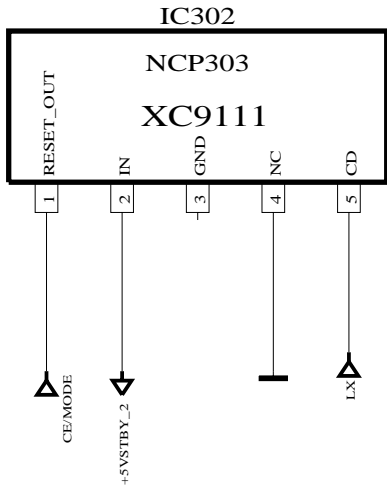
Ver.	Author	DATE	Sheet
01	SMPS GROUP	11-10-2010	1/4



17PW25-4 DC/DC CONVERTER 3V3 5V SECTION

Ver.	Author	DATE	Sheet
01	SMPS GROUP	11.10.2010	2/4

# STEP UP DEVRELERI



17PW25-4 DC/DC CONVERTER 4V2 SECTION

Ver.

01

Author

SMPS GROUP

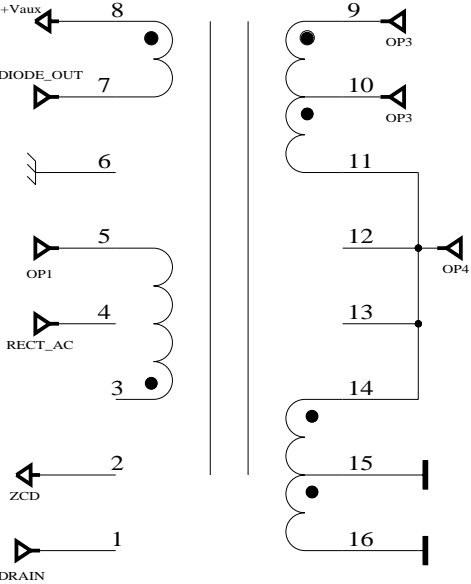
DATE

11.10.2010

Sheet

3/4

# TRF\_SMPS\_SAFE\_EE5154\_26\_32



## TR400

