

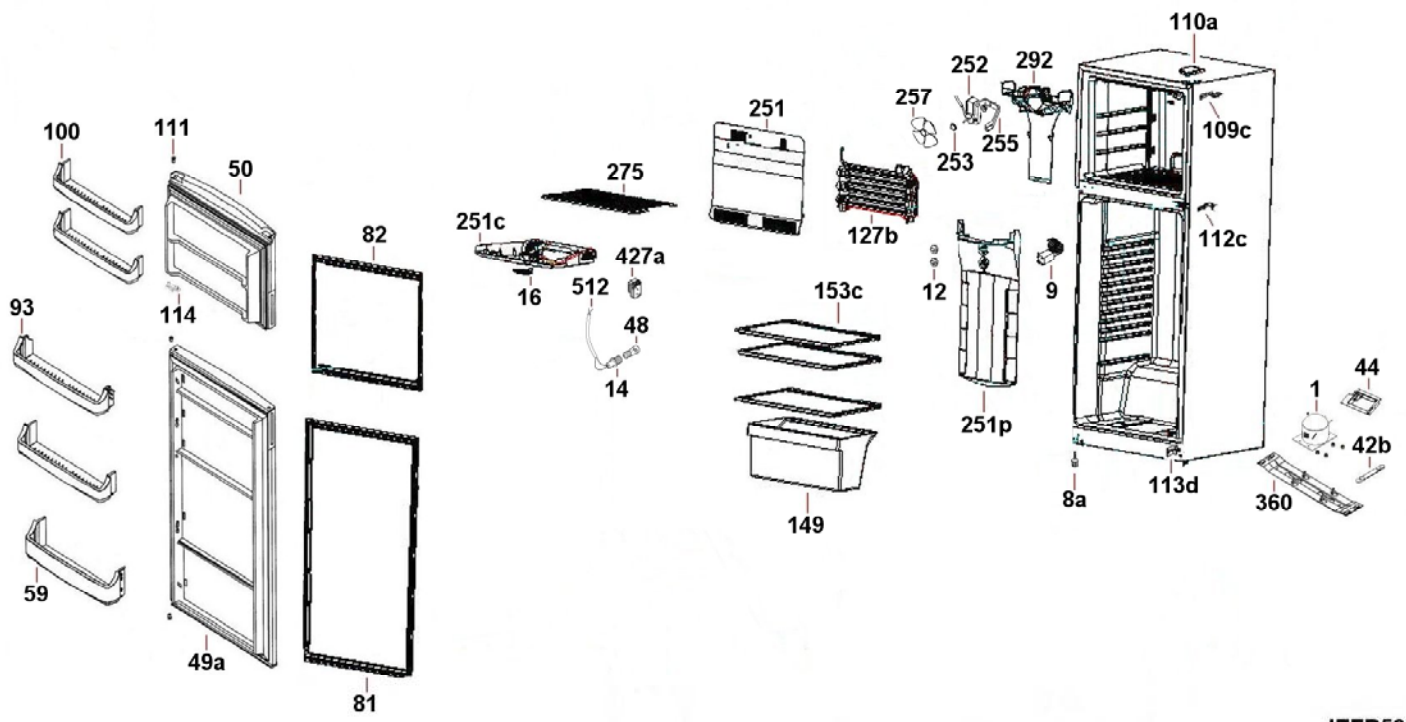


**CANDY**

REFRIGERATORS

34001280 CDNF3800A

Service Manual



IEFR5369



34001280 CDNF3800A 1006 (01/02/2010)

		Ricambio Part No. Piece E-Teil Pieza	Inizio Beginning Debut Begin Inicio	Fine Ending Fin End Fin
Ref.	Descrizione - Description - Beschreibung - Descripcion			
1	Compressor	49020236		
8a	Adjustable levelling foot	49019937		
9	Refrigerator thermostat	49020227		
12	Thermostat knob	49020235		
14	Internal light lampholder	49020199		
16	Inner light lampcover	49020196		
42b	Compressor fixing plate	49019935		
44	Drip water evaporat.tray	49020220		
48	Inner light bulb	49020198		
49a	Refrigerat. door complete	49020243		
50	Freezer door complete	49020192		
59	Lower bottles shelf	49020241		
81	Refrigerator gasket	49020239		
82	Freezer gasket	49020194		
93	Jars door rail	49020240		
100	Freezer door rail	49020195		
109c	Upper hinge	49020219		
110a	Upper hinge cover	49020218		
111	Door sleeve for hinge	49020193		
112c	Middle hinge	49020217		
113d	Lower hinge	49020223		
114	Door safety holder (R/H)	49020242		
114a	Door safety holder (L/H)	49023052		
127b	Freezer evaporator	49020205		
149	Crisper	49020238		
153c	Glass shelf	49020237		
201a	Hinge hole plug	49020216		
251	Evaporator cover panel	49020204		
251c	Evapora.cover-Upper panel	49020197		
251p	Evaporator cover panel (Refrigerator)	49020234		
252	Fan motor	49020214		

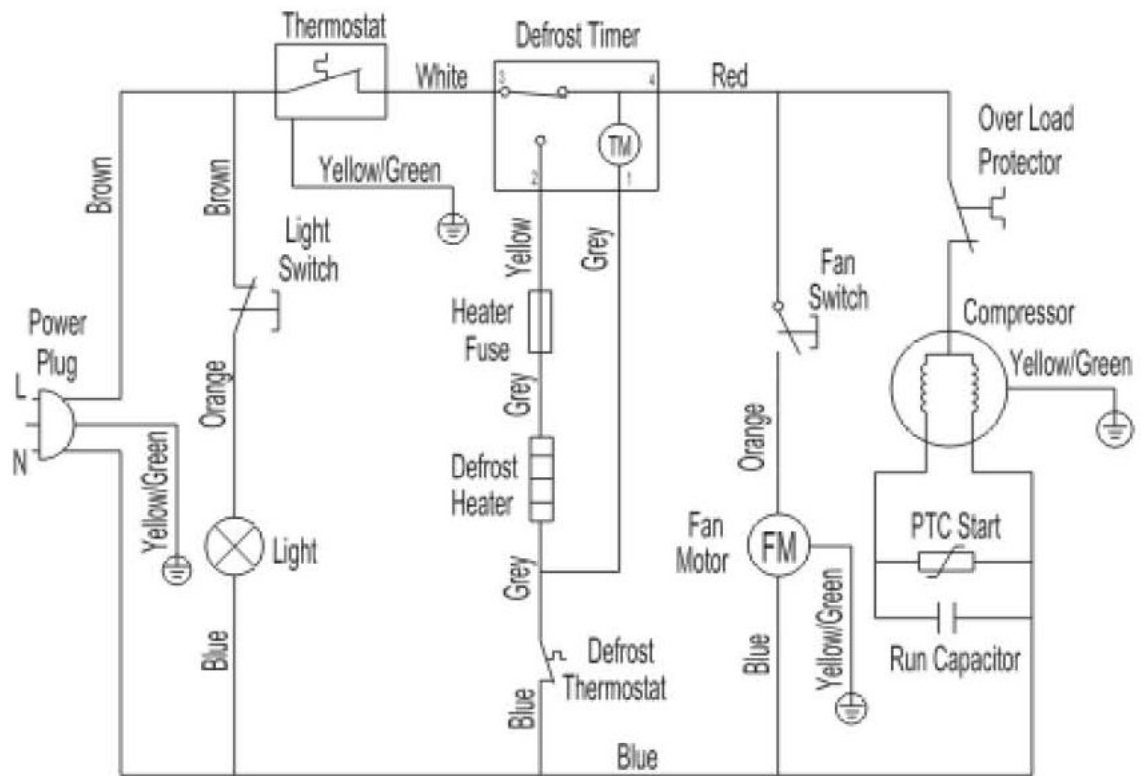


34001280 CDNF3800A 1006 (01/02/2010)

Ref.	Descrizione - Description - Beschreibung - Descripcion	Ricambio Part No. Piece E-Teil Pieza	Inizio Beginning Debut Begin Inicio	Fine Ending Fin End Fin
253	Buffer	49020212		
255	Rear stirrup	49020209		
257	Fan	49020206		
264b	Air diffuser cover	49022665		
270b	Defrost sensor and thermal fuse assy	49023747		
275	Freezer grill	49020203		
292	Rear shelter	49020215		
360	Compressor cross piece	49020221		
427a	Electronic defrost timer	49020201		
512	Harness-wiring internal	49020202		

# Circuit Diagram

## 1 Schematic Circuit Diagram



**thermostat = termostato**

**defrost timer = timer di fine sbrinamento**

**heater fuse = termofusibile**

**defrost heater = resistenza di sbrinamento**

**fan motor = motoventilatore**

**over load protector = protettore termico**

**compressor = compressore**

**run capacitor = condensatore di marcia**

**blue = blu**

**brown = marrone**

**orange = arancio**

**white = bianco**

**red = rosso**

**grey = grigio**

**yellow = giallo**

**yellow/green = giallo/ verde**