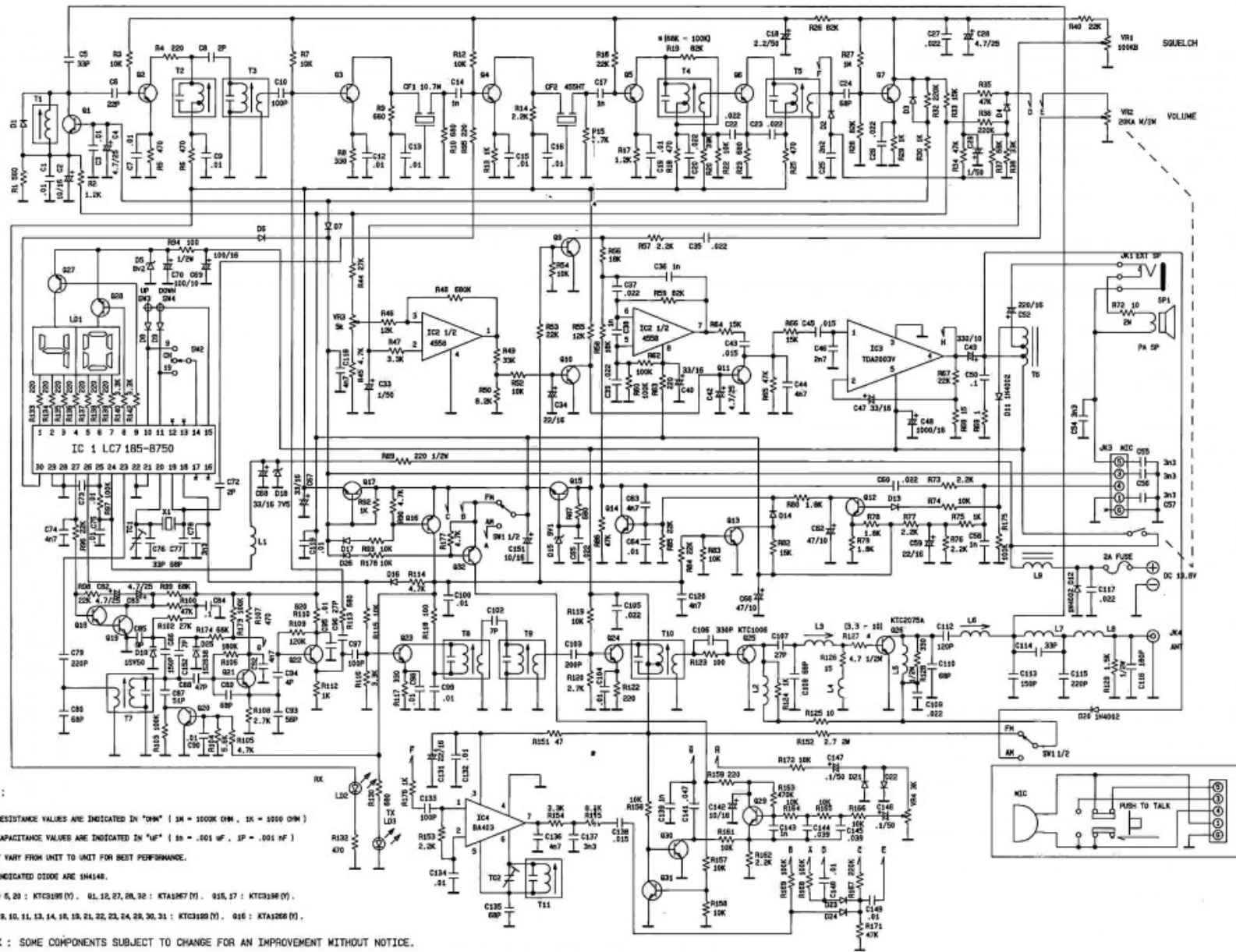


ELECTRICAL DIAGRAM



NOTES :

- 1) ALL RESISTANCE VALUES ARE INDICATED IN "OHM" (1K = 1000 OHM , 1K = 1000 OHM)
- 2) ALL CAPACITANCE VALUES ARE INDICATED IN "UF" (10 = .001 UF , 1P = .001 UF)
- 3) R MAY VARY FROM UNIT TO UNIT FOR BEST PERFORMANCE.
- 4) NOT INDICATED DIODES ARE 1N4148.
- 5) Q2 TO 5, 20 : KTC3198 (Y) , Q1, 12, 27, 28, 32 : KTA1267 (Y) , Q15, 17 : KTC3198 (Y) ,
- 6, 7, 8, 10, 11, 13, 14, 15, 18, 19, 21, 22, 23, 24, 25, 30, 31 : KTC3180 (Y) , Q16 : KTA1268 (Y) ,

REMARK : SOME COMPONENTS SUBJECT TO CHANGE FOR AN IMPROVEMENT WITHOUT NOTICE.