

1A, Single Li-ion Battery Linear Charger

Descriptions

The WS4503S is a complete constant-current / constant voltage linear charger for single cell Lithium-Ion batteries. No external sense resistor is needed, and no blocking diode is required due to the internal MOSFET architecture. Thermal feedback regulates the charge current to limit the die temperature during high power operation or high ambient temperature. The charge voltage is fixed at 4.2V, and the charge current can be programmed externally with a single resistor.

The WS4503S automatically terminates the charge cycle when the charge current drops to 1/10 the programmed value after the final float voltage is reached.

When the input supply (wall adapter or USB supply) is removed, the WS4503S automatically enters a low current state, dropping the battery drain current to less than 2uA. The WS4503S can be put into shutdown mode, reducing supply current to 50uA.

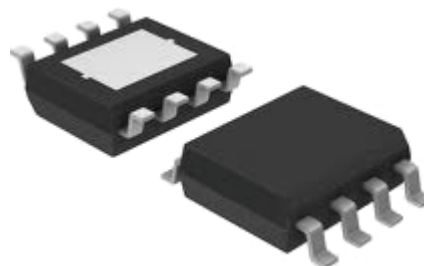
The WS4503S is available in a SOP-8L package with expose pad. Standard product is Pb-free and Halogen-free.

Features

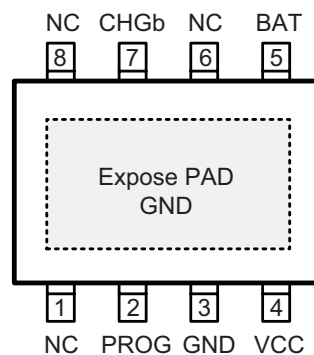
- Programmable Charge Current Up to 1A
- Over-Temperature Protection
- Under Voltage Lockout Protection
- Automatic Recharge Threshold 4.05V
- Charge Status Output Pin
- 2.9V Trickle Charge Threshold
- Soft-Start Limits Inrush Current

Applications

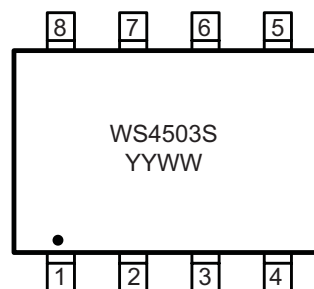
- MP3/MP4 Player
- Bluetooth device
- Others portable device



SOP-8L



Pin configuration (Top view)

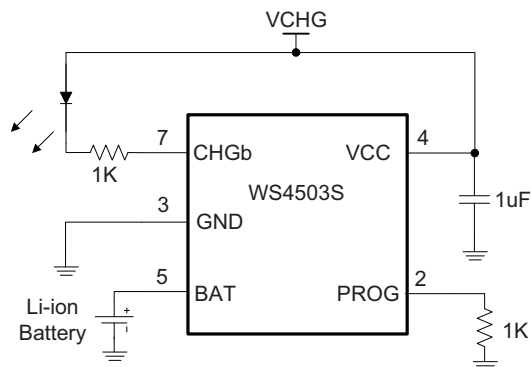


WS4503S = Device code
 YY = Year
 WW = Week

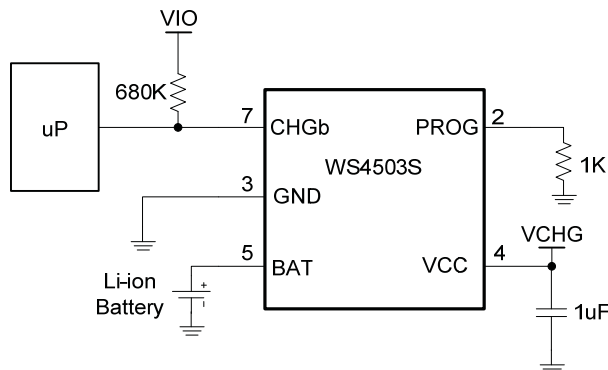
Order information

Device	Package	Shipping
WS4503SA-8/TR	SOP-8L	2500/Reel&Tape
WS4503SB-8/TR	SOP-8L	2500/Reel&Tape

Typical applications



Typical applications W/T LED indicate

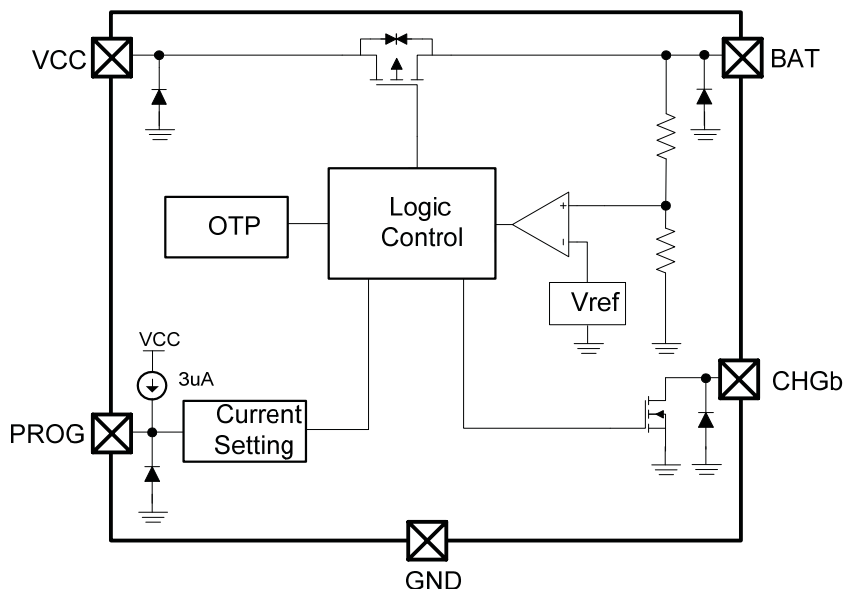


Typical applications W/T microprocessor detect

Pin descriptions

Pin Number	Pin Name	Function
1	NC	Not connected
2	PROG	Charge current setting, charge current monitor and shutdown pin. The charging current is given by $I_{BAT} = (1/R_{PROG}) * 1000(A)$. The chip will be shutdown when PROG pin floating
3	GND	Ground
4	VCC	Power Supply
5	BAT	Charge Current Output. Provides charge current to the battery
6	NC	Not connected
7	CHGb	Open-Drain Charge Status Output. When the battery is charging, the CHGb pin is pulled low. When the charge cycle is completed or VCC is removed, the CHGb is forced high impedance.
8	NC	Not connected
	Expose Pad	Ground

Block Diagram



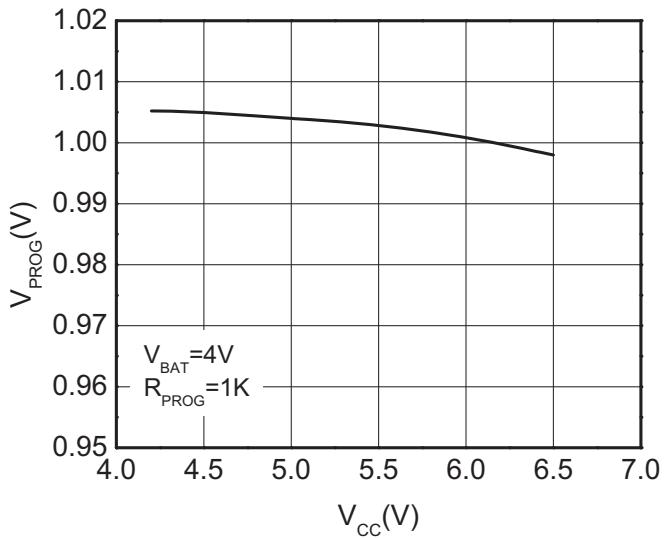
Absolute Maximum ratings

Parameter	Symbol	Rating	Unit
Supply Voltage	VCC	-0.3~7	V
PROG Voltage	V _{PROG}	-0.3~VCC	V
BAT Voltage	V _{BAT}	-0.3~7	V
CHGb Voltage	V _{CHGb}	-0.3~VCC	V
PROG Pin Current	I _{PROG}	1000	mA
Power Dissipation	Pd	Internal Limited	W
Junction Temperature	T _J	150	°C
Operation Temperature	T _{opr}	-45~85	°C
Storage Temperature	T _{stg}	-55~150	°C
Lead Temperature (Soldering 10s)	T _L	260	°C

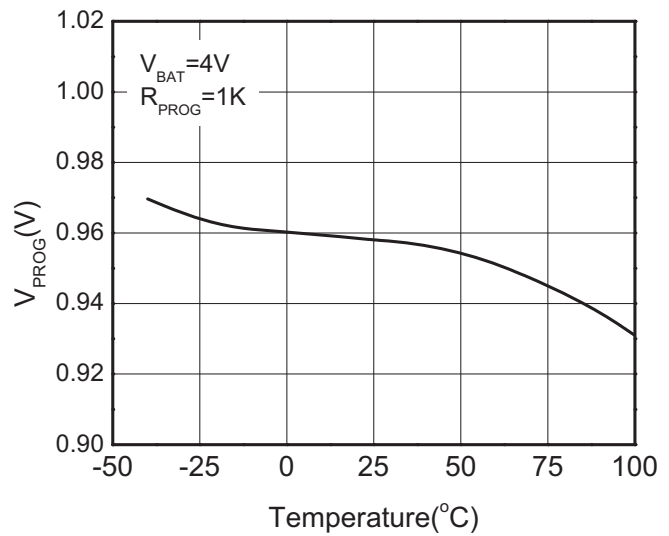
Electronics Characteristics (VCC=5V, Ta=25°C, unless otherwise noted)

Symbol	Parameter	Condition	Min.	Typ.	Max.	Unit
I _{SPLYCHRG}	Charge Mode Supply Current	R _{PROG} =1kΩ		600	2000	uA
		R _{PROG} =10kΩ		300	2000	uA
I _{BATCHRG}	Charge Mode Battery Current	R _{PROG} =1kΩ	850	1000	1150	mA
		R _{PROG} =10kΩ	90	100	110	mA
V _{PROGCHRG}	PROG Pin Voltage	R _{PROG} =1kΩ	0.90	1.00	1.10	V
		R _{PROG} =10kΩ	0.90	1.00	1.10	V
I _{SPLYSTBY}	Standby Mode Supply Current			130	500	uA
I _{BATSTBY}	Standby Mode Battery Current			-2.5	-6.0	uA
I _{SPLYASD}	Shutdown Mode Supply Current			50	70	uA
I _{BATASD}	Shutdown Mode Battery Current			±1	±2	uA
V _{FLOAT}	Float Voltage	WS4503SA	4.17	4.20	4.22	V
		WS4503SB	4.22	4.24	4.27	V
I _{TRIKL}	Trickle Charge Current	R _{PROG} =1kΩ	70	100	120	mA
V _{TRIKL}	Trickle Charge Voltage Threshold		2.8	2.9	3.0	V
V _{TRIKL, HYS}	Trickle Charge Voltage Hysteresis		60	100	120	mV
V _{UVLO}	UVLO Threshold		3.3	3.8	4.0	V
V _{UVLO, HYS}	UVLO Hysteresis		150	200	300	mV
V _{RECHRG}	Auto Recharge Battery Voltage		4.0	4.05	4.1	V
V _{CHGb}	CHGb Pin Output Low Voltage	I _{CHGb} =5mA		0.25	0.6	V
T _{LIM}	Junction Temperature In Constant Temperature Mode			165		°C
R _{ON}	Power FET ON Resistance			600		mΩ
T _{SS}	Soft-Start Time	R _{PROG} =1kΩ		100		us
T _{RECHRG}	Recharge Comparator Filter Time		0.75	2	4.5	ms
T _{TERM}	Termination Comparator Filter Time		0.4	1	2.5	ms
I _{PROG}	PROG Pin Pull-up Current			3		uA

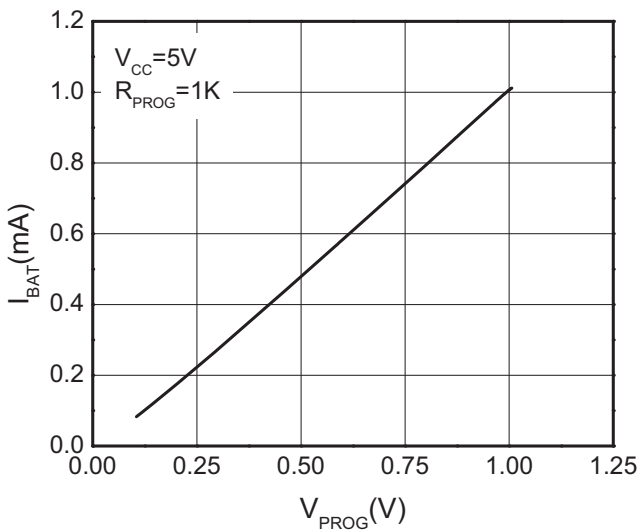
Typical Characteristics (Ta=25°C, unless otherwise noted)



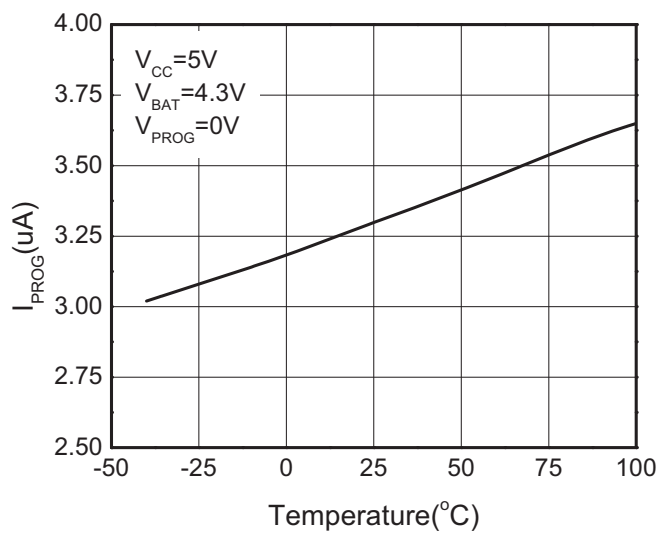
PROG pin vs. Supply voltage (CC mode)



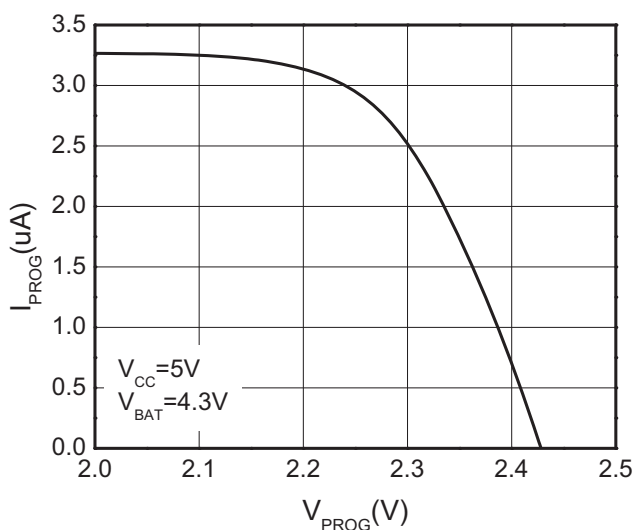
PROG pin vs. Temperature



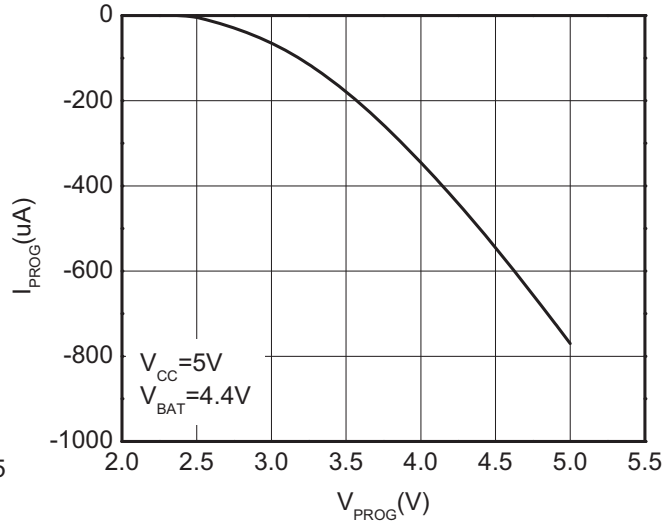
Charge current vs. PROG pin voltage



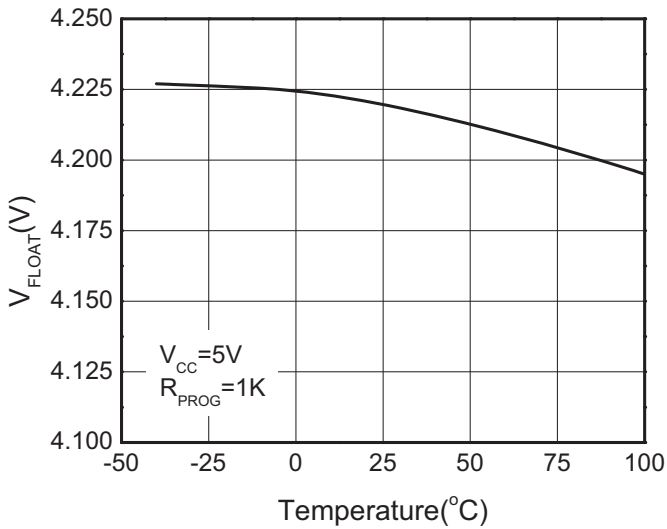
PROG pin Pull-Up current vs. Temperature



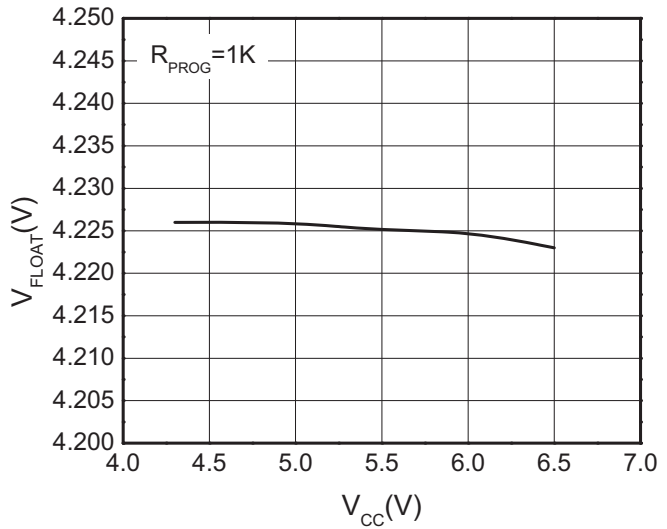
PROG pin Pull-Up current vs. PROG pin voltage



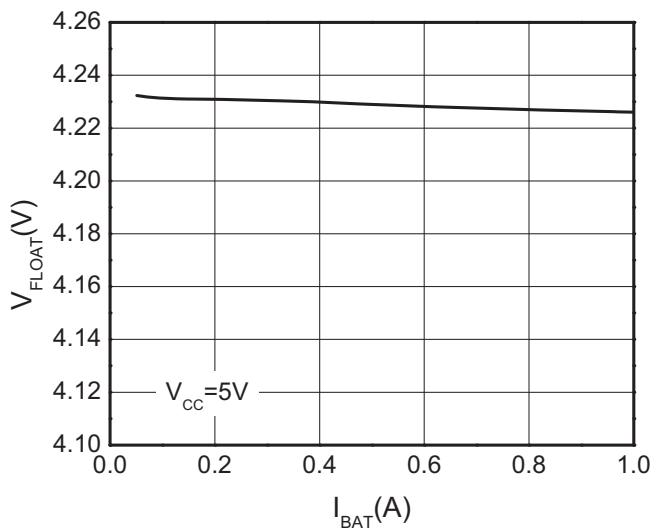
PROG pin clamp current vs. PROG pin voltage



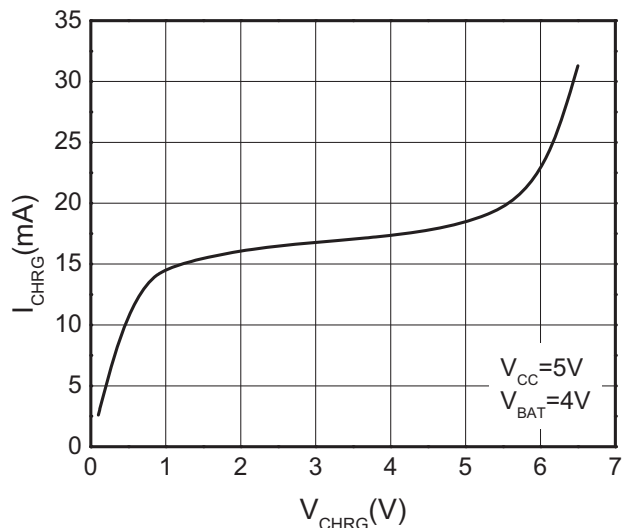
BAT pin output float voltage vs. Temperature



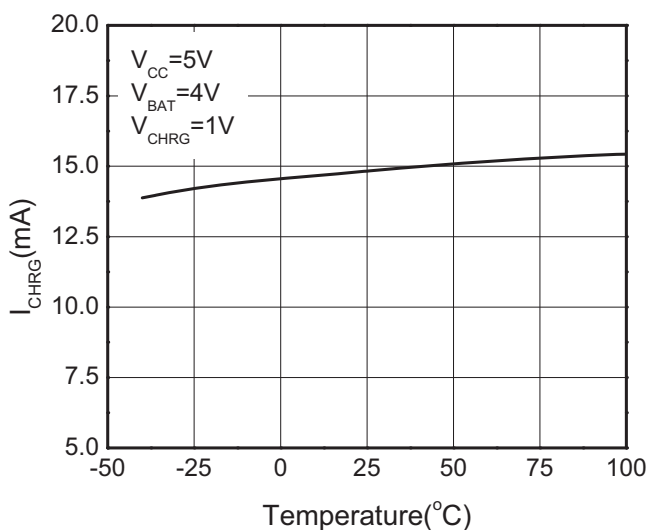
BAT pin output float voltage vs. Supply voltage



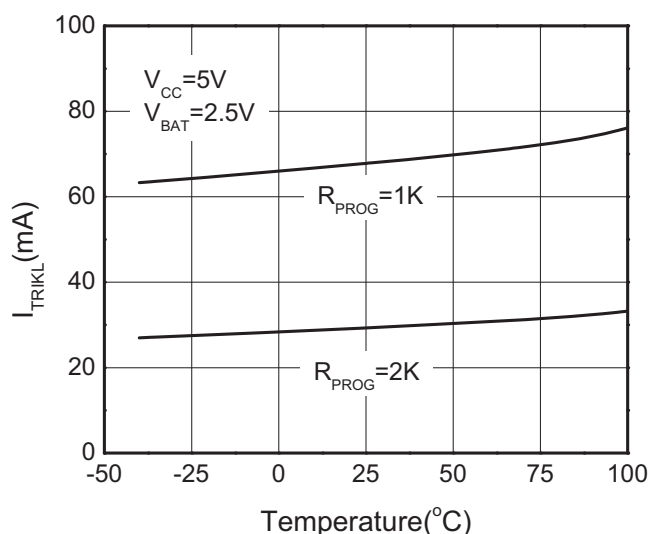
BAT pin output float voltage vs. Charge current



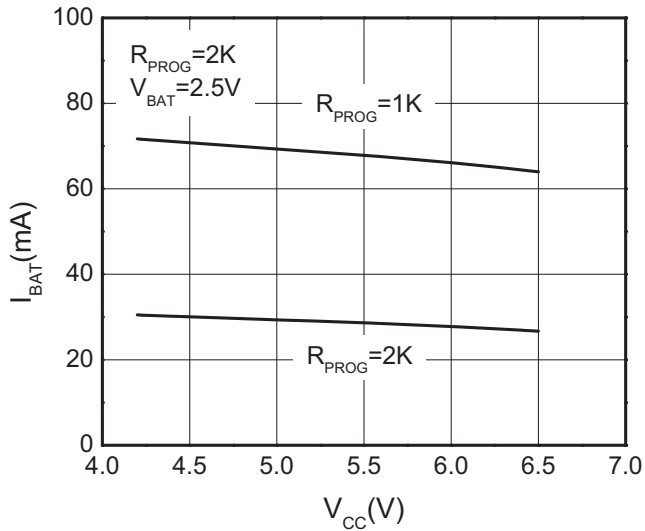
CHGb pin current vs. CHGb pin voltage



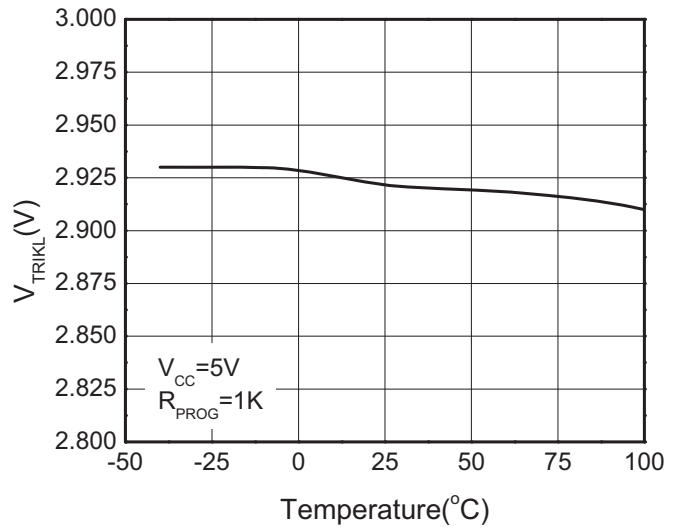
CHGb pin current vs. Temperature



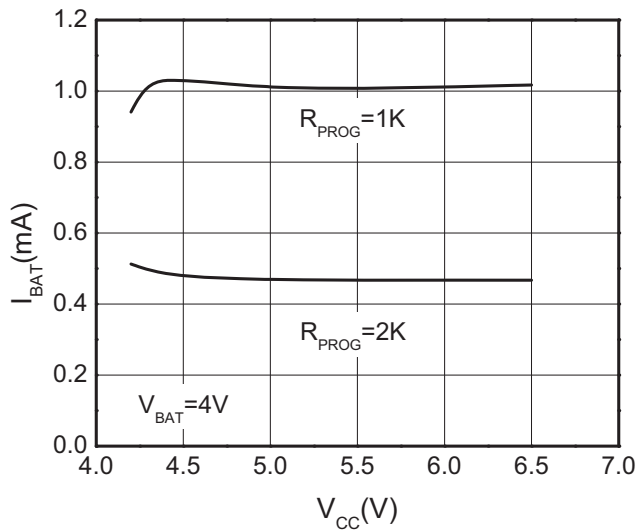
Trickle charge current vs. Temperature



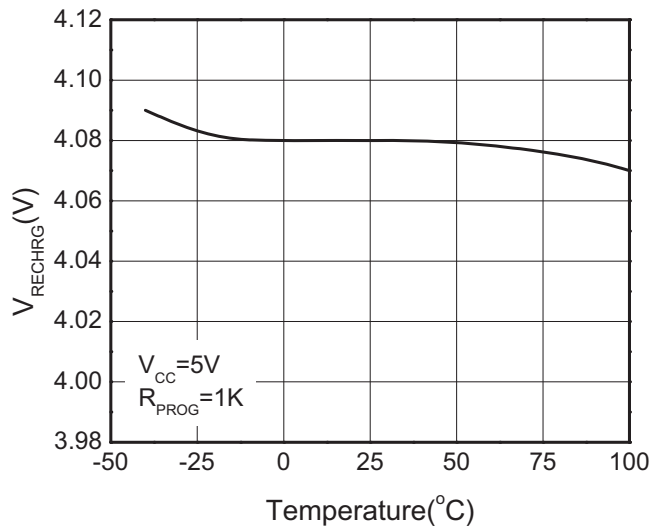
Trickle charge current vs. Supply voltage



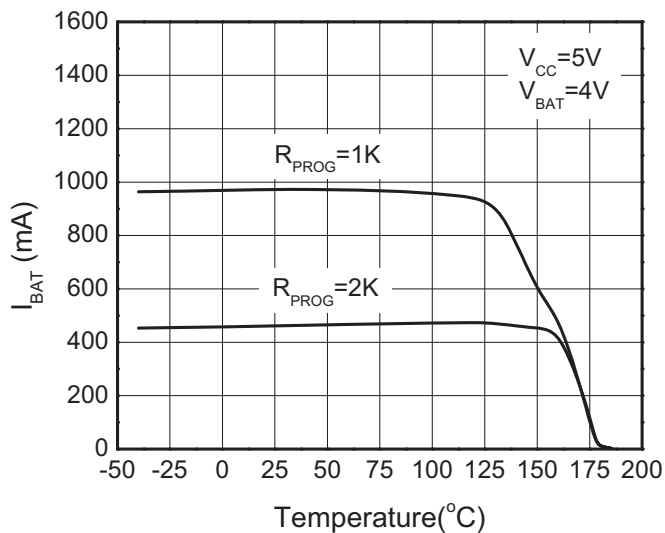
Trickle charge threshold vs. Temperature



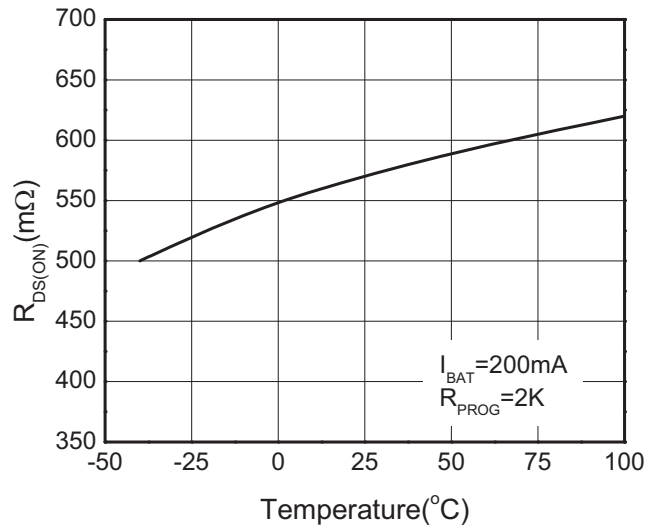
Charge current vs. Supply voltage



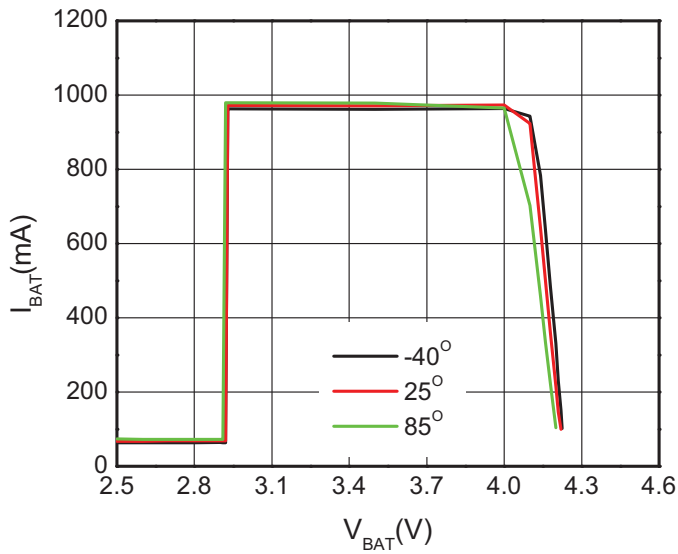
Charge current vs. Battery voltage



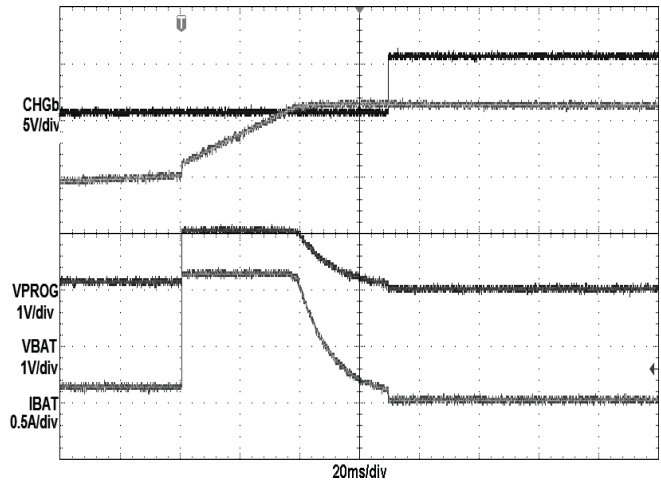
Charge current vs. Temperature



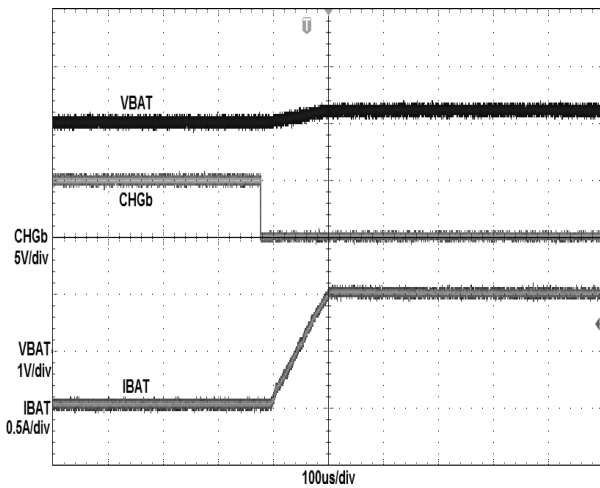
Power FET ON resistance vs. Temperature



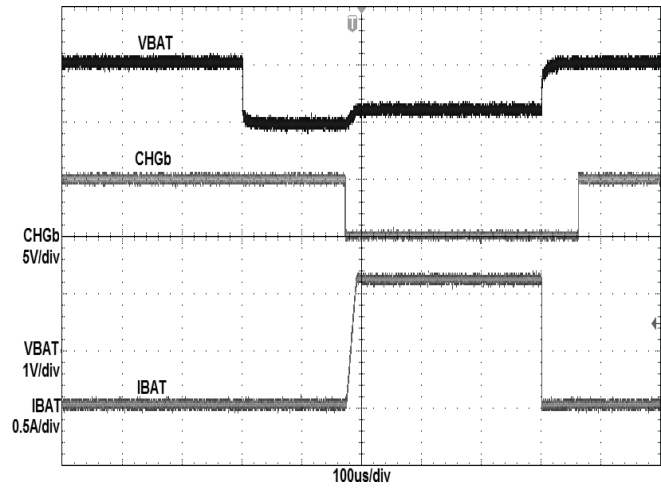
Fully charge period waveform



Fully charge period waveform



Soft start



Recharge waveform

Operation informations

The WS4503S is a single cell Lithium-Ion battery charger using a constant-current / constant-voltage algorithm. It can deliver up to 1A of charge current (using a good thermal PCB layout) with a final float voltage accuracy of ±1%. The WS4503S includes an internal P-channel power MOSFET and thermal regulation circuitry. No blocking diode or external current sense resistor is required; thus, the basic charger circuit requires only two external components.

Normal charge cycle

A charge cycle begins when the voltage at the VCC pin rises above the UVLO threshold level and a 1% program resistor is connected from the PROG pin to ground or when a battery is connected to the charger output. If the BAT pin is less than 2.9V, the charger enters trickle charge mode. In this mode, the WS4503S supplies approximately 1/10 the programmed charge current to bring the battery voltage up to a safe level for full current charging.

When the BAT pin voltage rises above 2.9V, the charger enters constant-current mode, where the programmed charge current is supplied to the battery. When the BAT pin approaches the final float voltage, the WS4503S enters constant-voltage mode and the charge current begins to decrease. The charge cycle ends when the PROG voltage is less than 100mV.

Programming charge current

The charge current is programmed using a single resistor from the PROG pin to ground. The battery charge current of constant current mode is 1000 times the current out of the PROG pin. The program resistor and the charge current of constant current are calculated using the following equations:

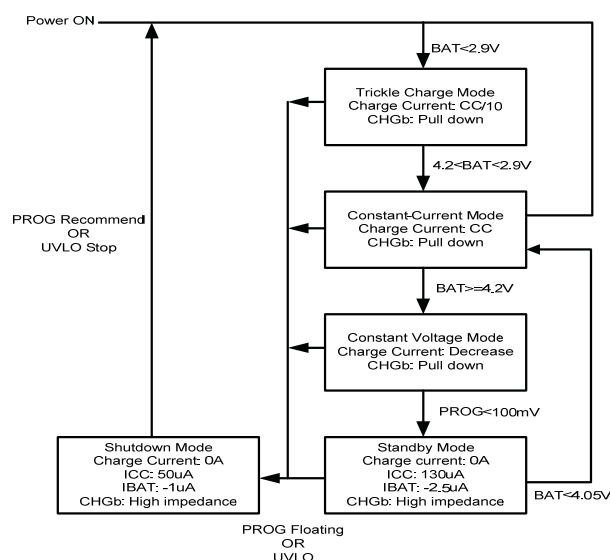
$$I_{CHG} = (1V/R_{PROG}) * 1000$$

Charge termination

A charge cycle is terminated when the charge current falls to 1/10 of the programmed value after the final float voltage is reached. This condition is detected by using an internal, filtered comparator to monitor the PROG pin. When the PROG pin voltage falls below 100mV for longer than T_{TERM} (typically 1ms), charging is terminated. The charge current is latched off and the WS4503S enters standby mode, where the input supply current drops to 130uA. (Note: CC/10 termination is disabled in trickle charging mode and thermal limiting modes).

When charging, transient loads on the BAT pin can cause the PROG pin to fall below 100mV for short periods of time before the DC charge current has dropped to 1/10 of the programmed value. The 1ms filter time (T_{TERM}) on the termination comparator ensures that transient loads of this nature do not result in premature charge cycle termination. Once the average charge current drops below 1/10 of the programmed value, the WS4503S terminates the charge cycle and ceases to provide any current through the BAT pin, the chip will be put into standby mode. In this state, all loads on the BAT pin must be supplied by the battery.

The WS4503S constantly monitors the BAT pin voltage in standby mode. If this voltage drops below the 4.05V recharge threshold (V_{RECHRG}), another charge cycle begins and current is once again supplied to the battery. The state diagram of a typical charge cycle is as below:



Charge status indicator (CHGb)

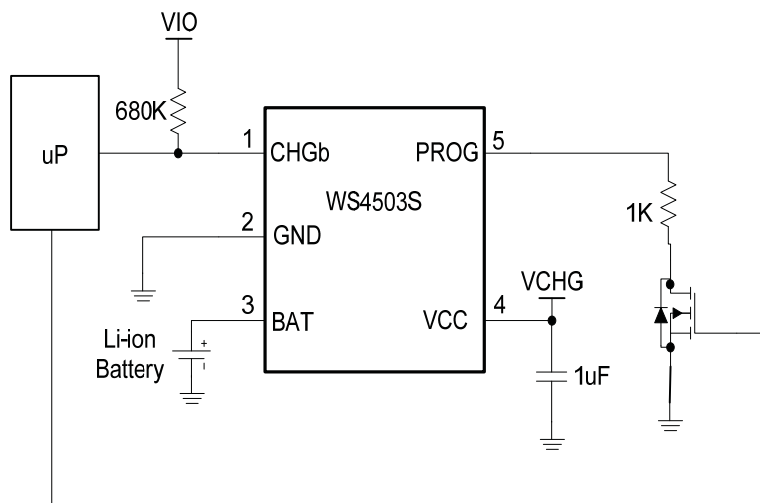
The charge status output indicator is an open drain circuit. The indicator has two different states: pull-down (~10mA), and high impedance. The pull-down state indicates that the WS4503S is in a charge cycle. High impedance indicates that the charge cycle is complete. The CHGb also can be used to detect the charge states by a microprocessor with a pull-up resistor.

Shutdown mode

At any point in the charge cycle, the WS4503S can be put into shutdown mode by removing RPROG thus floating the PROG pin. This reduces the battery drain current to less than 2uA and the supply current to less than 50uA. A new charge cycle can be initiated by reconnecting the program resistor. Below is a recommend application.

Automatic recharge

Once the charge cycle is terminated, the WS4503S continuously monitors the voltage on the BAT pin using a comparator with a 2ms filter time (T_{RECHRG}). A charge cycle restarts when the battery voltage falls below 4.05V (which corresponds to approximately 80% to 90% battery capacity). This ensures that the battery is kept at or near a fully charged condition and eliminates the need for periodic charge cycle initiations. CHGb output enters a pull-down state during recharge cycles.



The WS4503S also be put into shutdown mode when VCC voltage down to UVLO Threshold. In this state, the CHGb pin is high impedance state. The CHGb pin is also in a high impedance state if the charge cycle is completed.

Application informations

Stability considerations

The constant-voltage mode feedback loop is stable without an output capacitor provided a battery is connected to the charger output. With no battery present, an output capacitor is recommended to reduce ripple voltage. When using high value, low ESR ceramic capacitors, it is recommended to add a 1Ω resistor in series with the capacitor. No series resistor is needed if tantalum capacitors are used.

In constant-current mode, the PROG pin is in the feedback loop, not the battery. The constant-current mode stability is affected by the impedance at the PROG pin. With no additional capacitance on the PROG pin, the charger is stable with program resistor values as high as 10KΩ. However, additional capacitance on this node reduces the maximum allowed program resistor thus it should be avoided.

Thermal limit

An internal thermal feedback loop reduces the programmed charge current if the die temperature attempts to rise above a preset value of approximately 165°C. This feature protects the WS4503S from excessive temperature and allows the user to push the limits of the power handling capability of a given circuit board without risk of damaging the WS4503S. The charge current can be set according to typical (not worst-case) ambient temperature with the assurance that the charger will automatically reduce the current in worst-case conditions.

Power dissipation

The conditions that cause the WS4503S to reduce charge current through thermal feed-back can be approximated by considering the power dissipated in the IC. Nearly all of this power dissipation is generated by the internal MOSFET. This is calculated to be approximately:

$$P_D = (V_{CC} - V_{BAT}) * I_{BAT}$$

It is important to remember that WS4503S applications do not be designed for worst-case thermal conditions since the IC will automatically reduce power dissipation when the junction temperature reaches approximately 165°C (Constant temperature mode).

VCC bypass capacitor

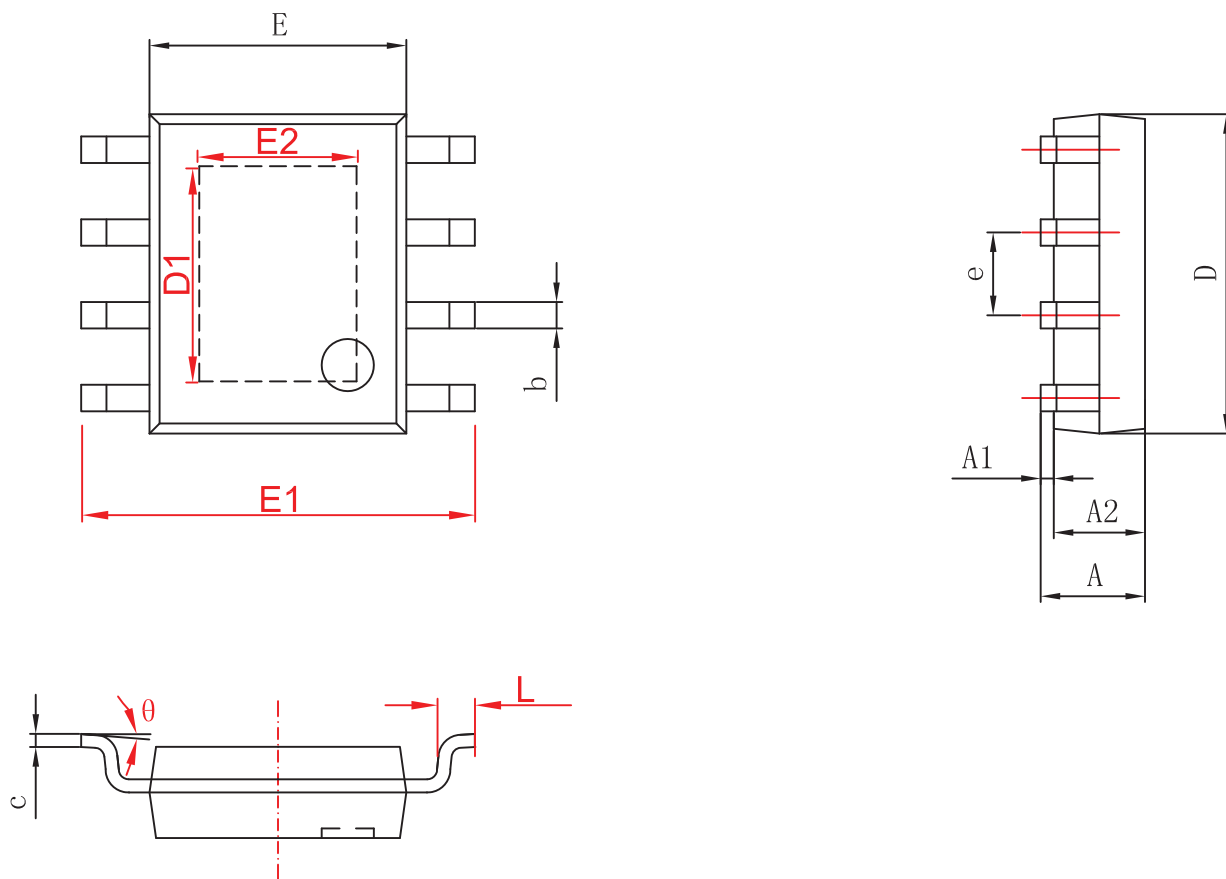
Many types of capacitors can be used for input bypass, however, caution must be exercised when using multilayer ceramic capacitors. Because of the self-resonant and high Q characteristics of some types of ceramic capacitors, a 1uF/16V ceramic capacitor is recommended for this bypass capacitor. Due to a high voltage transient will be generated under some start-up conditions, such as connecting the charger input to a live power source.

Charge current soft-start

The WS4503S includes a soft-start circuit to minimize the inrush current at the start of a charge cycle. When a charge cycle is initiated, the charge current ramps from zero to the full-scale current over a period of approximately 50s. This has the effect of minimizing the transient current load on the power supply during start-up.

Package outline dimensions

SOP-8L



Symbol	Dimensions In Millimeters	
	Min.	Max.
A	1.350	1.750
A1	0.050	0.150
A2	1.350	1.550
b	0.330	0.510
c	0.170	0.250
D	4.700	5.100
D1	3.202	3.402
E	3.800	4.000
E1	5.800	6.200
E2	2.313	2.513
e	1.270 (BSC)	
L	0.400	1.270
θ	0°	8°