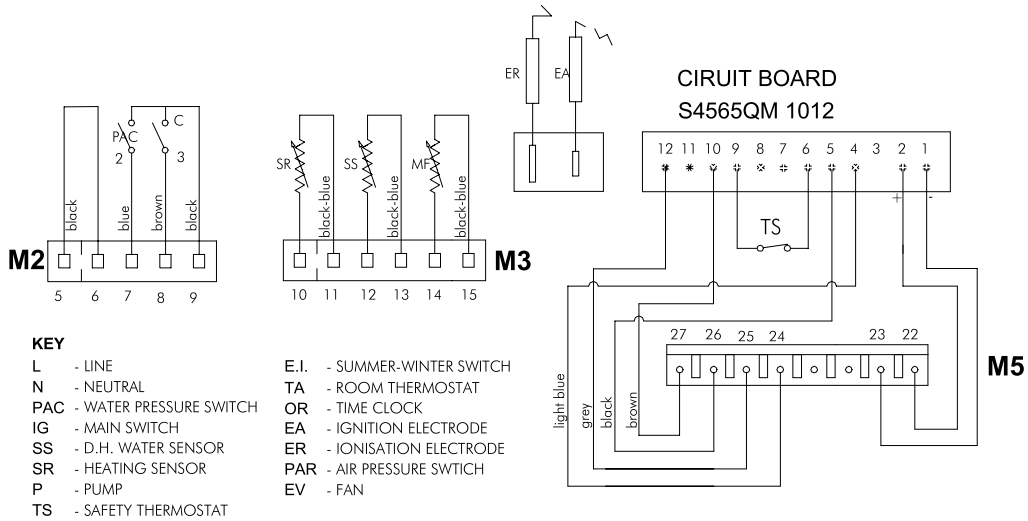
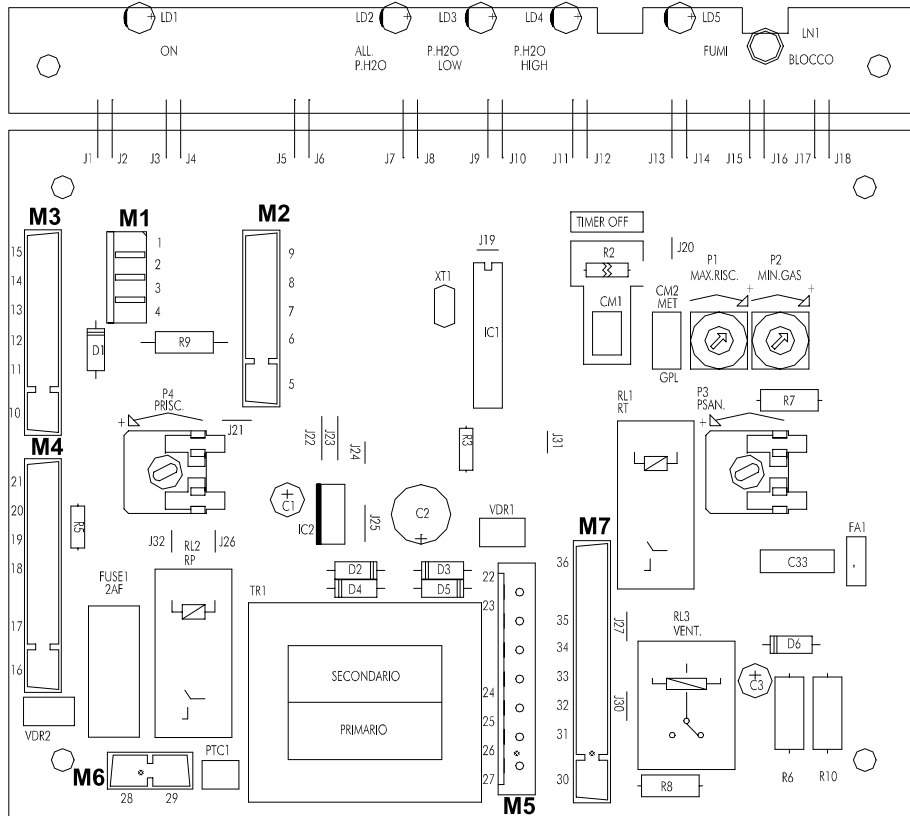
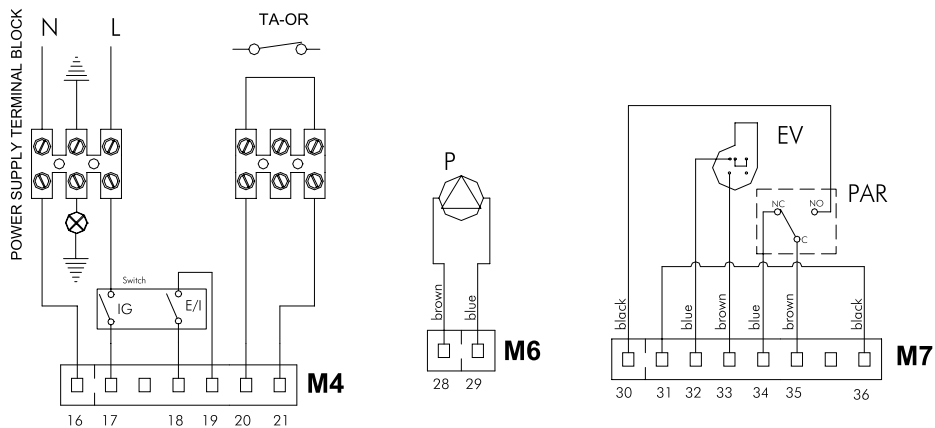


ELECTRICAL CONNECTION - RBS 20 E



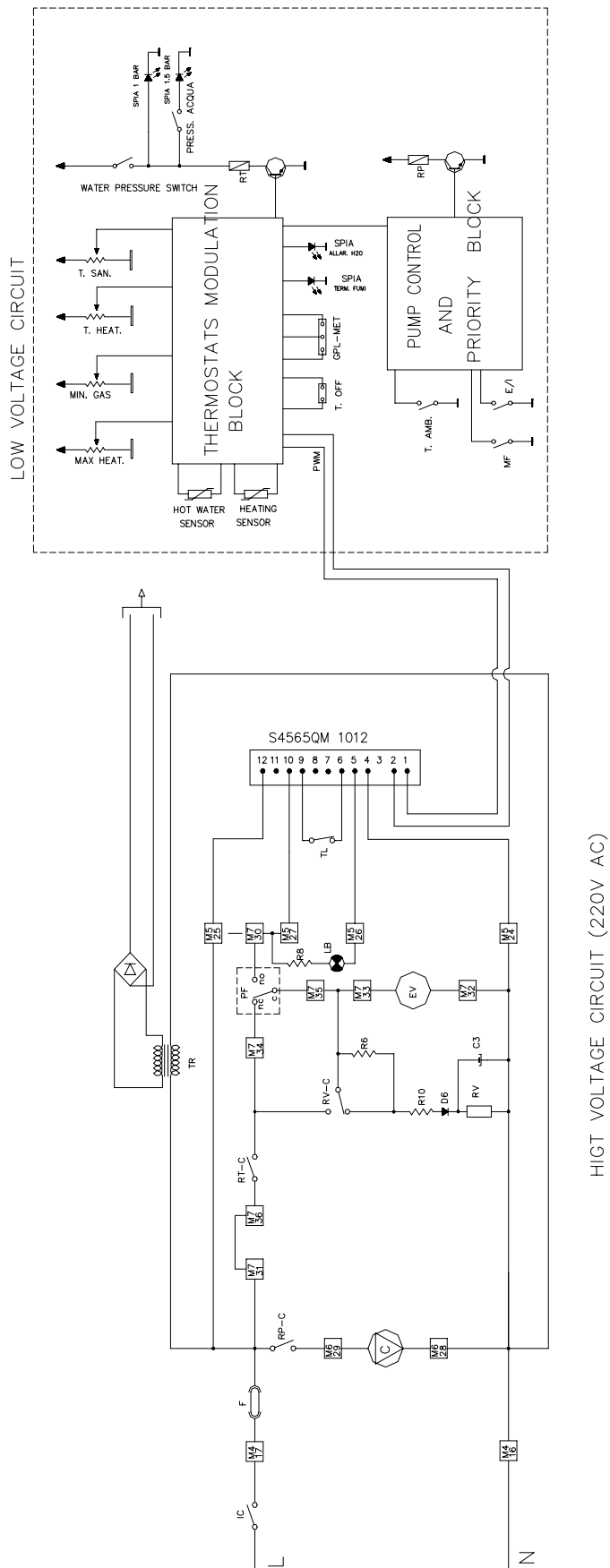
- KEY**
- L - LINE
 - N - NEUTRAL
 - PAC - WATER PRESSURE SWITCH
 - IG - MAIN SWITCH
 - SS - D.H. WATER SENSOR
 - SR - HEATING SENSOR
 - P - PUMP
 - TS - SAFETY THERMOSTAT
 - E.I. - SUMMER-WINTER SWITCH
 - TA - ROOM THERMOSTAT
 - OR - TIME CLOCK
 - EA - IGNITION ELECTRODE
 - ER - IONISATION ELECTRODE
 - PAR - AIR PRESSURE SWITCH
 - EV - FAN

IMPORTANT: RESPECT LIVE-NEUTRAL POLARITY



RBS 20 E

WIRING DIAGRAM



MAINTENANCE

To keep the boiler in efficient and safe operating condition, we recommend that the following checks are performed at least once a year (according to reference standards):

- Check all seals on the gas components and replace gaskets to restore perfect seal as required.
- Check all seals on the water components and replace gaskets to restore perfect seal as required.
- Visually check combustion and the combustion chamber; dismantle and clean the burner if necessary.
- Check the primary exchanger and clean it if necessary
- Check functioning of the gas safety systems: the insufficient gas safety device (ionisation electrode for electronic ignition boilers);
- Check functioning of the heating safety systems: the safety thermostat for temperature limit, the safety for pressure limit:
- Check the max. and min. gas pressure and the modulation.
- Check that the electrical connection conforms to the description in the instruction manual for the boiler.

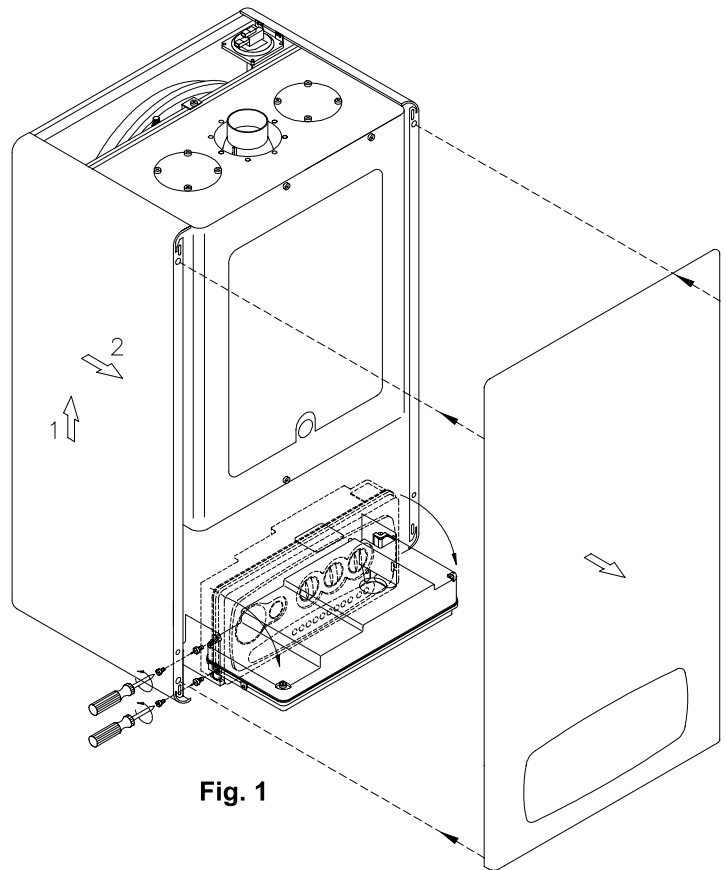


Fig. 1

When dismantling the boilers casing, be careful when removing the side panels after having removed the front panel; the side panels are removed by undoing the lower and front fixing screws and then removing as shown in fig.1, lifting and then pulling away. The new side panels on the Midy series are connected to the boiler frame by means of two hooks which correspond with two slots on the frame to ensure quick and efficient fixing.

UNPACKING

- Set the packed boiler down on the floor making sure that the arrow is pointing downwards and remove the staples, opening the 4 flaps outwards.
- Turn the boiler 180° supporting it by hand.
- Lift the box and remove the packing pieces. Lift the boiler by holding it at the back and proceed with installation.

N.B. It is recommended that the boiler be unpacked before installation. The manufacturer cannot be held responsible for any damage caused to the boiler due to incorrect handling of the boiler.

IMPORTANT!

The packing materials (cardboard) are recyclable.

IMPORTANT!

The inner packing materials (plastic bags, polystyrene foam, nails etc.) are potentially dangerous and must not be left within reach of small children.

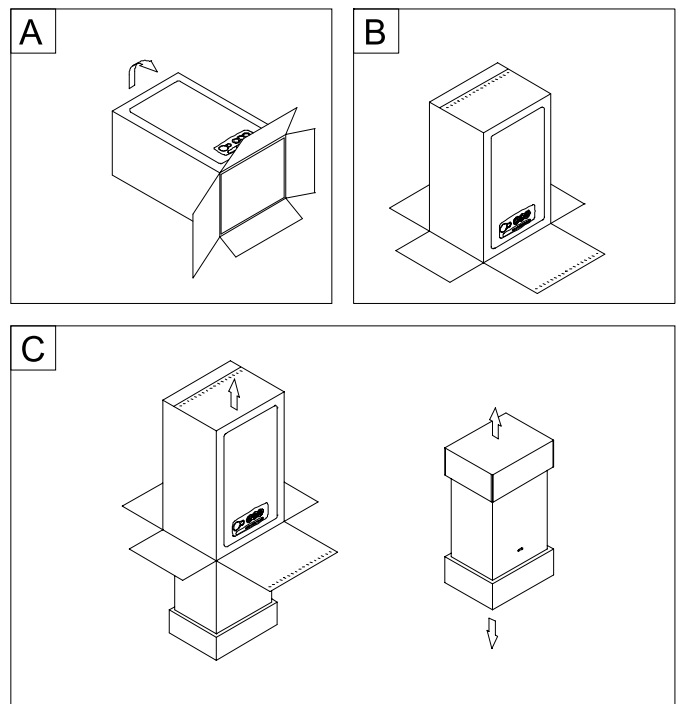


Fig. 2

	FAULT	POSSIBLE CAUSE	REMEDY
1)	the boiler electrical power is on, the pump circulates and the fan runs but the flame doesn't ignite and the boiler does not lock-out.	a. air pressure switch	a. replace it
2)	the pump circulates and the fan runs but the flame does not ignite, there is no sparking and after 10 seconds the boiler locks- out.	b. limit thermostat 90°C	b. replace it
3)	the boiler has stopped, everything is locked-out, only water pressure indicators 1-1.5 are on.	c. heating sensor damaged	c. replace it
4)	the boiler ignites but only at the minimum power.	d. ignition board wires reserved (colour: grey-brown)	d. connect properly
5)	the pump circulates and the fan runs, the flame ignites but after 10 seconds stops and locks-out.	e. live-neutral wires inverted, f. ionisation electrode damaged g. ignition board damaged h. no earth, electrical supply live-live	e. connect properly f. replace it g. replace it h. make proper earth connection
6)	the boiler ignites, the temperature rises very fast and the boiler locks-out.	i. circulating pump broken	i. replace it
7)	the boiler is off, lights are off, everything is off.	j. no electrical power k. water pressure switch broken	j. check boiler power supply k. replace it
8)	the pump circulates but the fan doesn't run, no lock-out.	l. exhaust fan broken m. air pressure switch faulty	l. replace it m. replace it

SHORT LIST

n°	CODE	DESCRIPTION	RBS 20 E
			Electronic Ignition
1	58008LA	MAIN HEAT EXCHANGER	✓
2	36066LA	ELECTRONIC GAS VALVE VK4105 G1112	✓
3	76631LA	ELECTRONIC IGNITION BOARD S4565QM1012	✓
4	76646LA	PRINTED CIRCUIT BOARD SM 20013	✓
5	73507LA	HEATING SENSOR / HOT WATER SENSOR 1/8"	✓
6	24027LA	CIRCULATING PUMP GOLD 50V1 SHU CLF6 W/AIR VENT (Only for UK and Ireland)	✓
7	24030LA	CIRCULATING PUMP MOTOR GOLD 50V1 SHU CLF6 (Only for UK and Ireland)	✓
8	95014LA	EXPANSION VESSEL	✓
9	59010LA	WATER PRESSURE SWITCH	✓
10	96030LA	AUTOMATIC AIR VENT VALVE 5020 3/8"	✓
11	96007LA	FLOWSWITCH	✓
12	37012LA	EXHAUST FAN	✓
13	59006LB	AIR PRESSURE SWITCH C6065AH1095	✓
14	21001LA	BURNER 13 R. 1,25 NATURAL GAS	✓
15	86027LA	SAFETY THERMOSTAT 90°C	✓
16	47021LA	3 POSITION COMMUTATOR SWITCH R11C2X401	✓

