

Simple Circuit Diagram

Free Simple Circuit Diagram

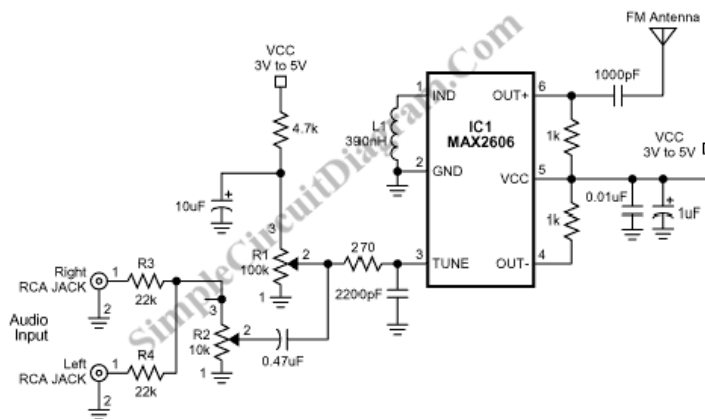
[Circuit Diagram](#)
[Electrical Schematic](#)
[100 Mhz](#)
[Backyards](#)
[Battery charger schematic](#)
[Battery Powered](#)
[Cary](#)
[infolinks](#)

Who will...

Single Chip FM Transmitter, For Short Range Application

Posted on [May 28, 2009](#) by [Adam](#)

The FM transmitter circuit here works in the broadcast band 88 to 108MHz, and can be used to broadcast audio signals for remote listening. The output power is around -21dBm, and [the circuit](#) operates with 3V power supply. Here is the [schematic diagram](#) of the circuit:



If you want to carry out your [portable](#) sound system around the house, this simple FM transmitter can be applied to [links](#) your [mp3](#) player or your home-entertainment system. For [example](#), if you want enjoy your favorites song in the backyard while doing barbecue, you can play your CD or MP3 player in your room and broadcast with this FM transmitter. All you need in the backyard is tuning your portable [FM radio](#) receiver to the music. [Source: MAXIM Integrated Product [Application](#) Notes]

This entry was posted in [RF and Video](#) and tagged [FM Transmitter](#). Bookmark the [permalink](#).

Possibly Related to "Single Chip FM Transmitter, For Short Range Application" Circuits

- [Small Broadcast-Band AM Transmitter](#)

This AM radio circuit is a low power transmitter working on broadcast band. The simplicity is implemented using a single-transistor amplifier stage, and for the stability a crystal is used to excite the 670Hz [oscillation](#). The output power of this ... Continue reading →...

- [Two Transistors FM Transmitter](#)

Basically, this circuit is a radio frequency (RF) oscillator that operates around 100 MHz. The audio which is picked up and amplified by the electret microphone is fed into the audio amplifier stage built around the first transistor. Output from ... Continue reading →...

- [Single Chip Two-Tones Siren](#)

Kids like the police or fire-brigade cars siren sound. This circuit can generate dual tone like Police or Fire-brigade cars siren sound. This circuit usually [installed](#) on battery powered cars, bicycles, and motorcycles. Not only that, but also can be ... Continue reading →...

- [LM10 Thermocouple Current Loop Transmitter](#)

Current loop transmitter is the term associated with sensor system that is used in industrial 4-20mA current loop technology. This transmitter contain the signal conditioning circuit for the sensor (chromel-alumel thermocouple), and a current regulator to maintain the current loop ... Continue reading →...

- [Frequency Modulated Oscillator \(for FM Transmitter\)](#)

An oscillator can be built using LC (inductor-capacitor) tank circuit. When we vary the capacity of the capacitor in LC tank circuit then the frequency of the oscillator will vary according to capacitance change. The idea of this modulator is ... Continue reading →...

[« 1.5V LED Flasher Using 3 Transistors](#)

[Motor Speed Control Using PWM »](#)

[Contain](#)

[Cross Reference](#)

[Fm Transmitter](#)

[Circuit Diagram](#)

[Electrical Schematic](#)

[100 Mhz](#)

[Backyards](#)

[infolinks](#)

[Electronic Circuit Diagram](#) [Diagram Library](#) [Sensor Design](#) [Download](#) [Electronic Circuit Projects](#)

MY ZIMBIO 36 Blogtoplist 20 TOPOFBLOGS



Simple Circuit Diagram

Proudly powered by WordPress.