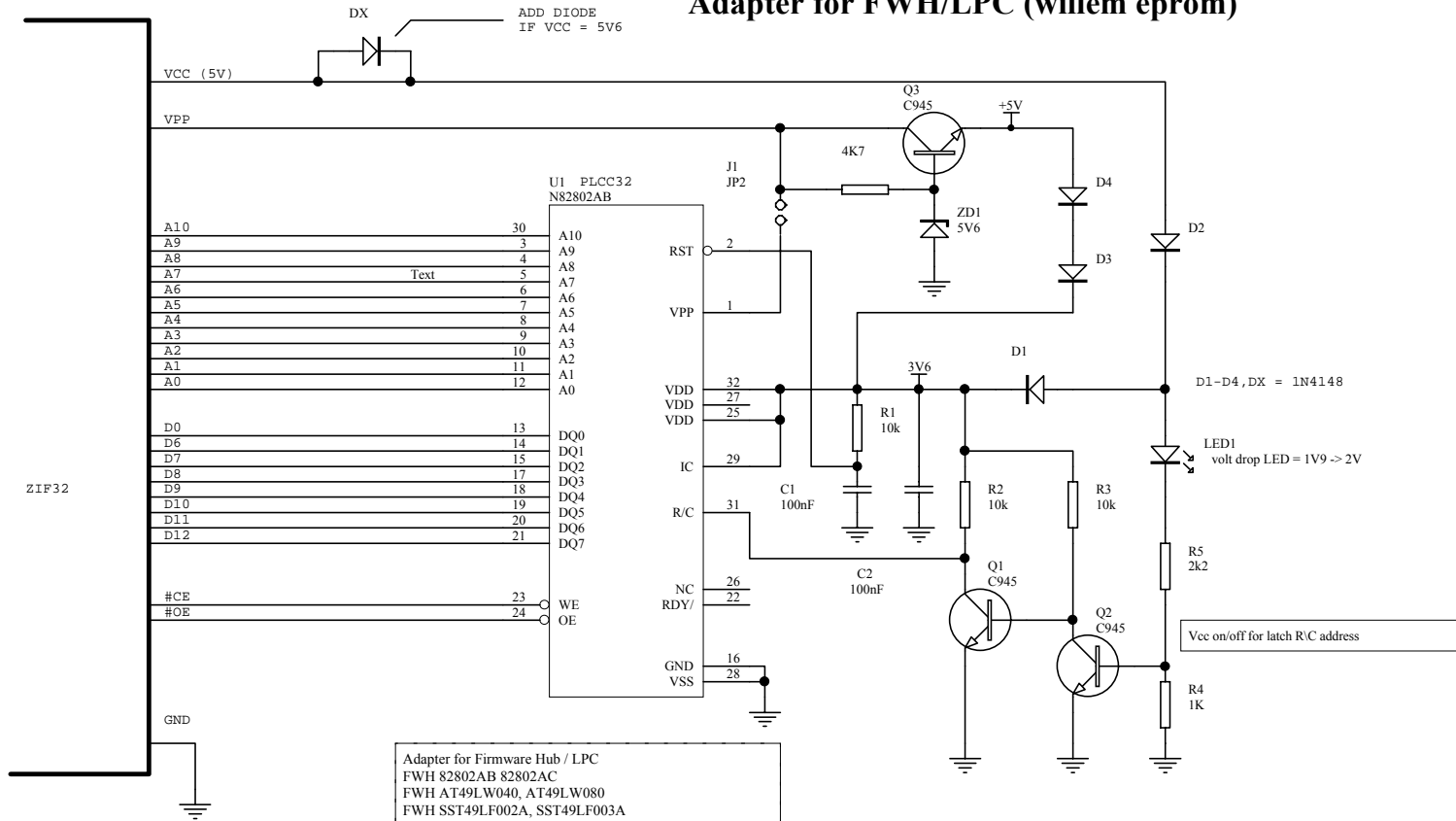


Adapter for FWH/LPC (willem eprom)



Adapter for Firmware Hub / LPC
 FWH 82802AB 82802AC
 FWH AT49LW040, AT49LW080
 FWH SST49LF002A, SST49LF003A
 FWH SST49LF004A, SST49LF008A
 LPC SST49LF020, SST49LF040
 winbond
 FWH W49V002FA, W39V040FA
 LPC W49V002A, W39V040A

<http://se-ed.net/mpu51>
<http://www.online.in.th/mpu51>

100nF = 0.1uF
 2k2 = 2.2K
 1V9 = 1.9V
 3V6 = 3.6V
 5V6 = 5.6V

Title		
Size	Number	Revision
A4		
Date:	15-Sep-2002	Sheet of
File:	C:\CAD\SCH\FWH-SCH.S01	Drawn By: