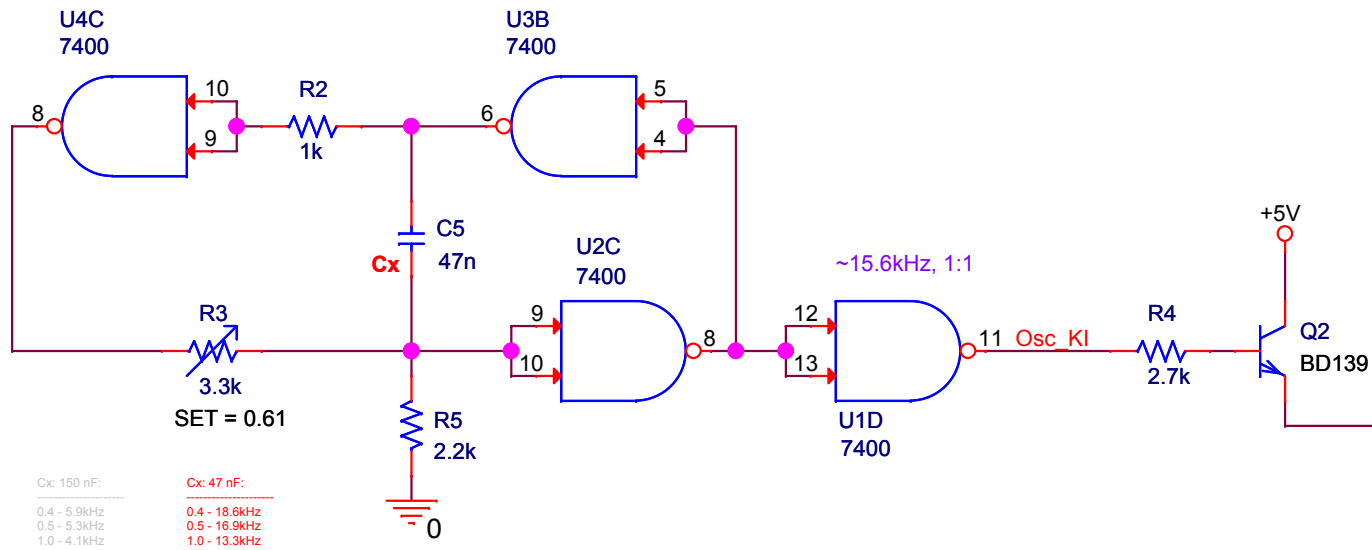
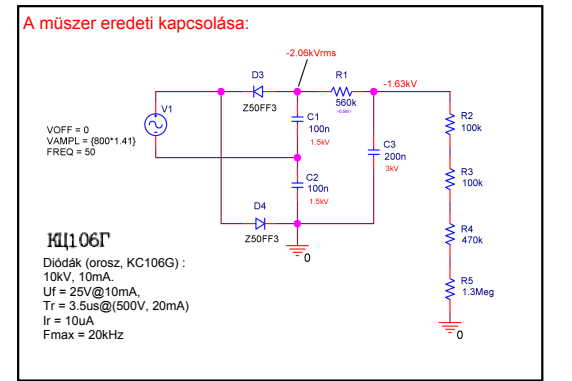


K1  
 M2000HM1  
 COUPLING= 0.95  
 L1 = L2  
 L2 = L3  
 L3 = L4  
 L4 = L5  
 L5 = L6



Cx: 150 nF:  
 0.4 - 5.9kHz  
 0.5 - 5.3kHz  
 1.0 - 4.1kHz

Cx: 47 nF:  
 0.4 - 18.6kHz  
 0.5 - 16.9kHz  
 1.0 - 13.3kHz

