

**'76
FUNCTION TABLE**

INPUTS			OUTPUTS			
PRE	CLR	CLK	J	K	Q	\bar{Q}
L	H	X	X	X	H	L
H	L	X	X	X	L	H
L	L	X	X	X	H [†]	H [†]
H	H	\bar{J}	L	L	Q ₀	\bar{Q} ₀
H	H	\bar{J}	L	H	H	L
H	H	\bar{J}	L	H	L	H
H	H	\bar{J}	H	L	L	H
H	H	\bar{J}	H	H	H	H
H	H	\bar{J}	H	H	TOGGLE	TOGGLE

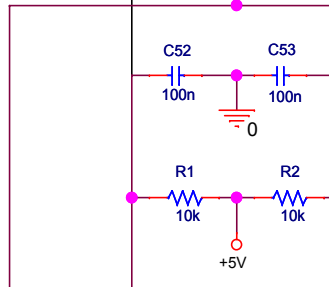
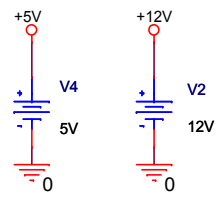
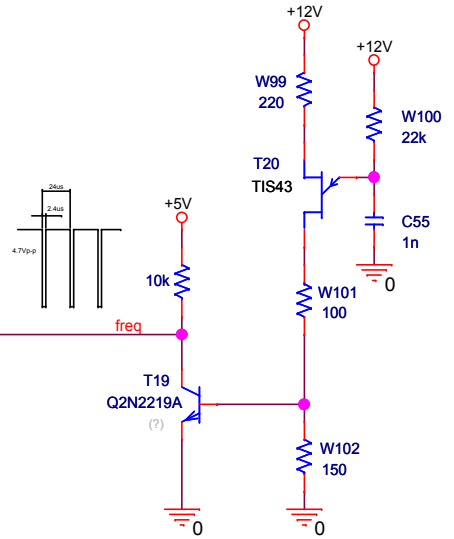
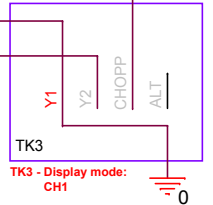
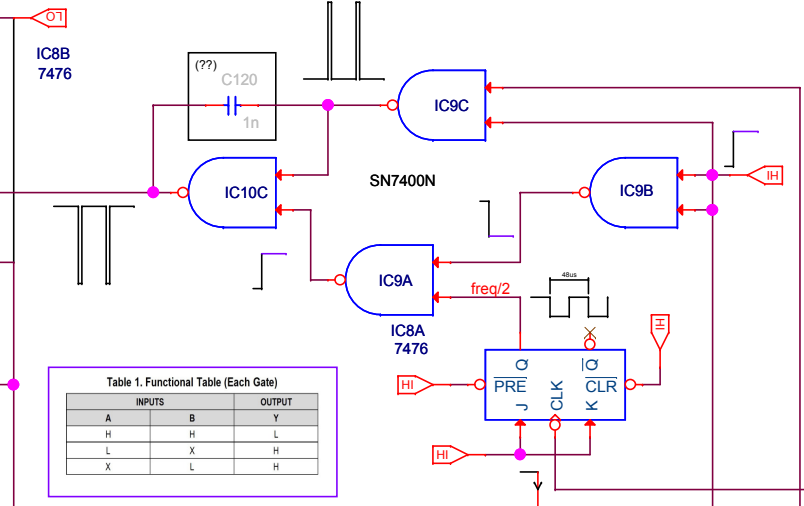


Table 1. Functional Table (Each Gate)

INPUTS		OUTPUT
A	B	Y
H	H	L
L	X	H
X	L	H



V1 = 3
V2 = 0
TD = 0
TR = 5n
TF = 5n
PW = 25n
PER = 500u

ALT Pulzusok

