

**'76
FUNCTION TABLE**

| INPUTS | | | | OUTPUTS | |
|--------|-----|-----|---|---------|----------------|
| PRE | CLR | CLK | J | K | Q |
| L | H | X | X | X | H |
| L | L | X | X | X | L |
| L | L | X | X | X | H↑ |
| H | H | ↓ | L | L | Q ₀ |
| H | H | ↓ | L | L | L |
| H | H | ↓ | L | H | L |
| H | H | ↓ | H | L | H |
| H | H | ↓ | H | H | TOGGLE |

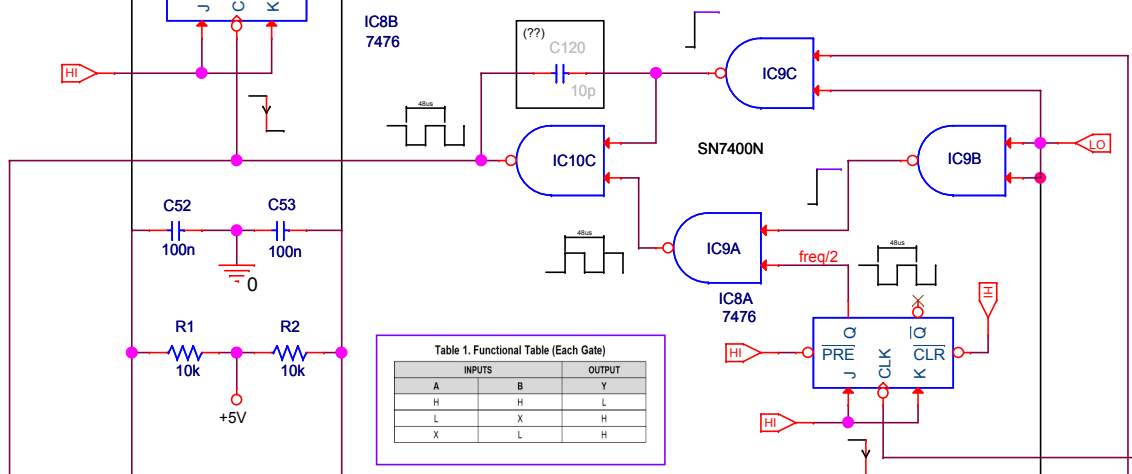
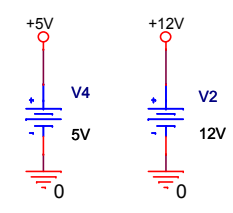
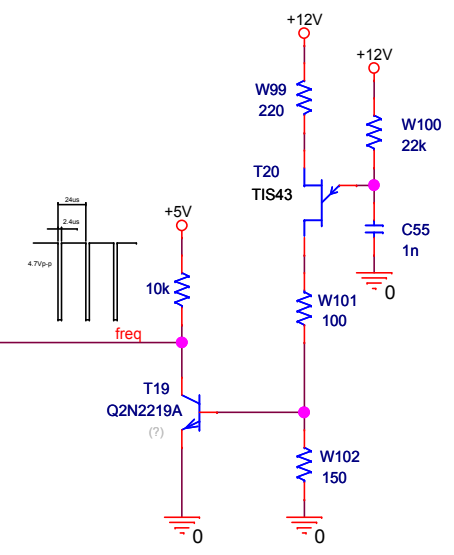
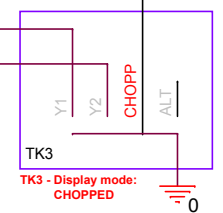
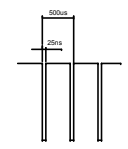


Table 1. Functional Table (Each Gate)

| INPUTS | | OUTPUT |
|--------|---|--------|
| A | B | Y |
| H | H | L |
| L | X | H |
| X | L | H |



V1 = 3
V2 = 0
TD = 0
TR = 5n
TF = 5n
PW = 25n
PER = 500u



ALT Pulzusok