

5 Typical Application Circuit

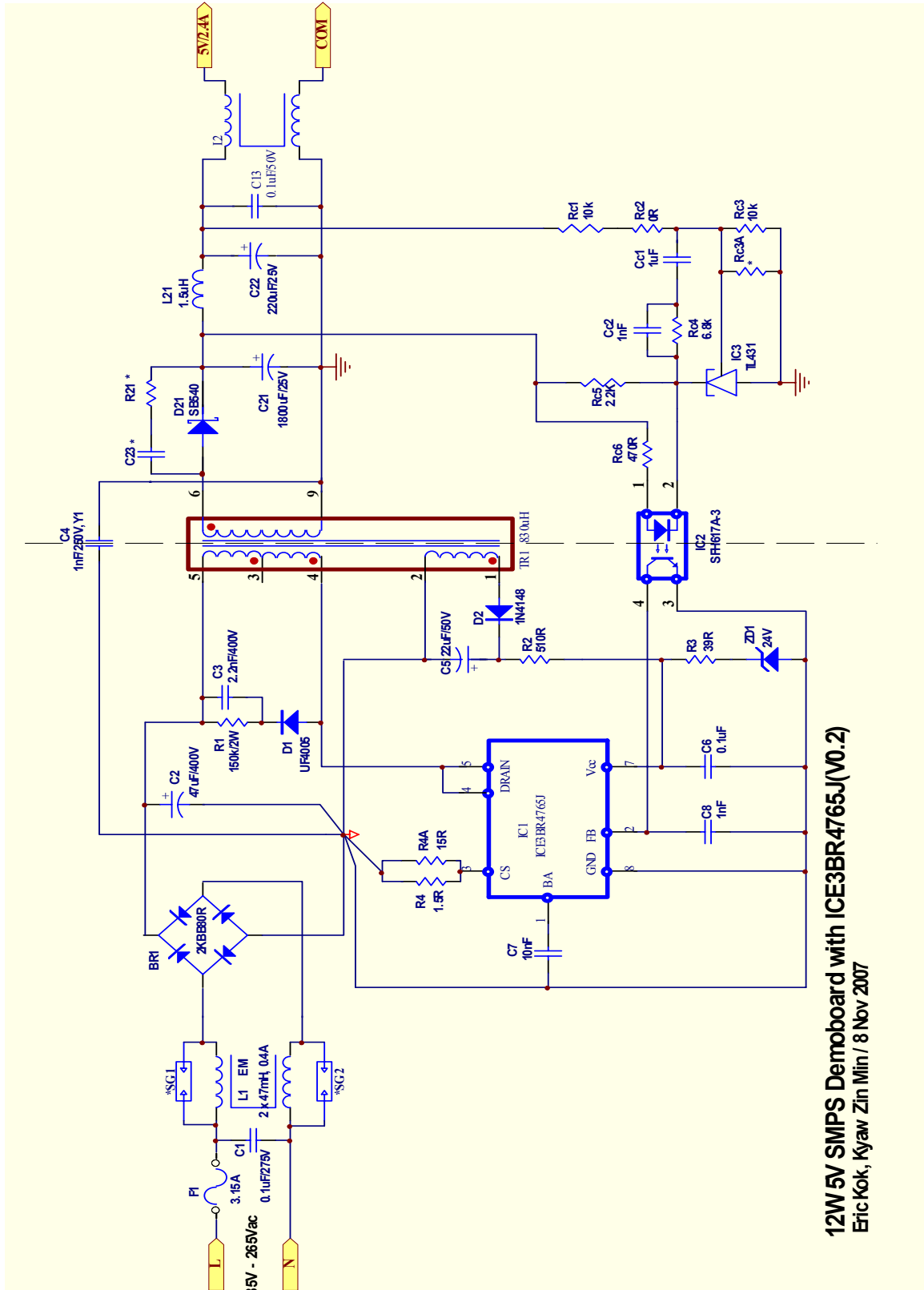


Figure 5 Typical application circuit with ICE3BR4765J 12W 5V