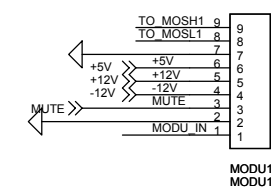
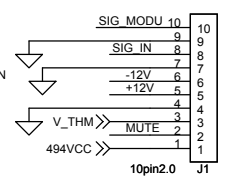
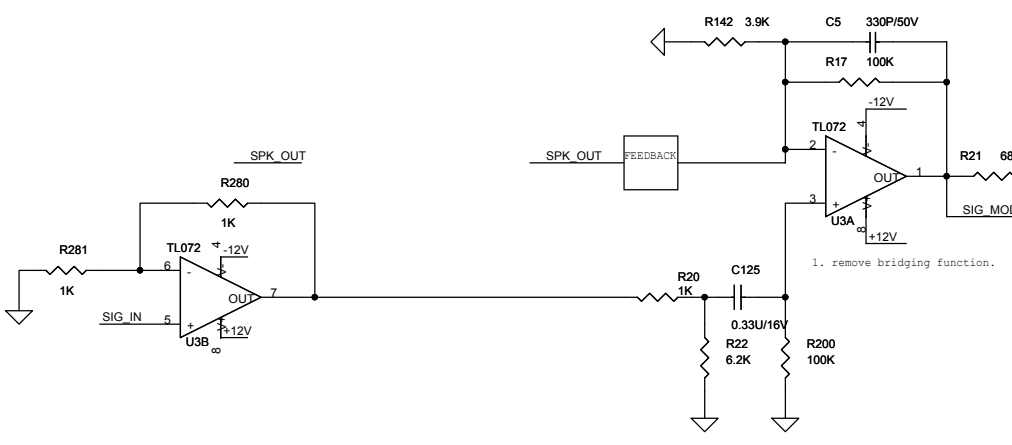
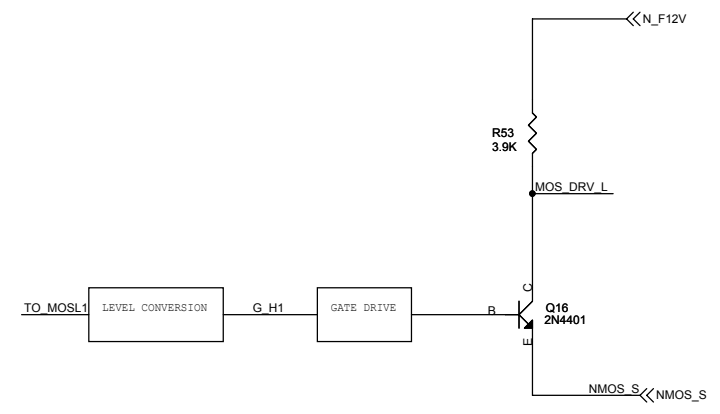
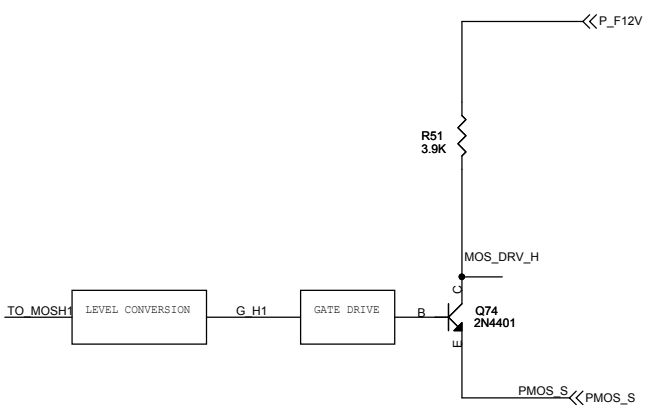
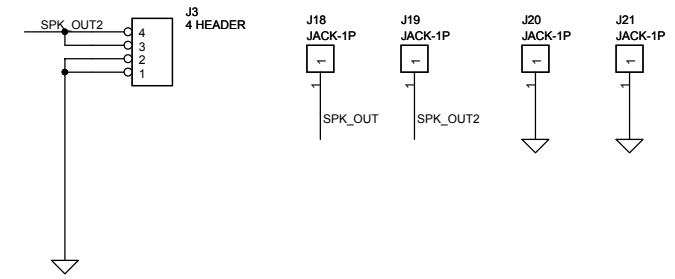
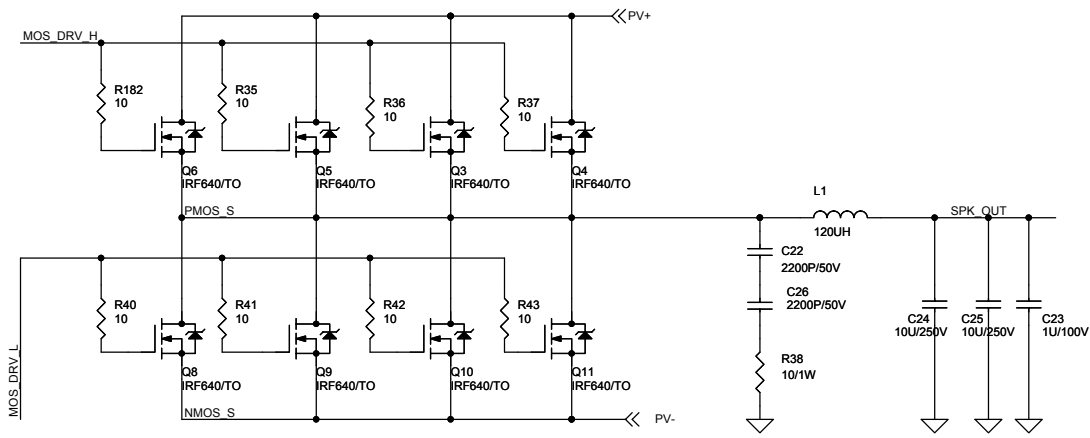


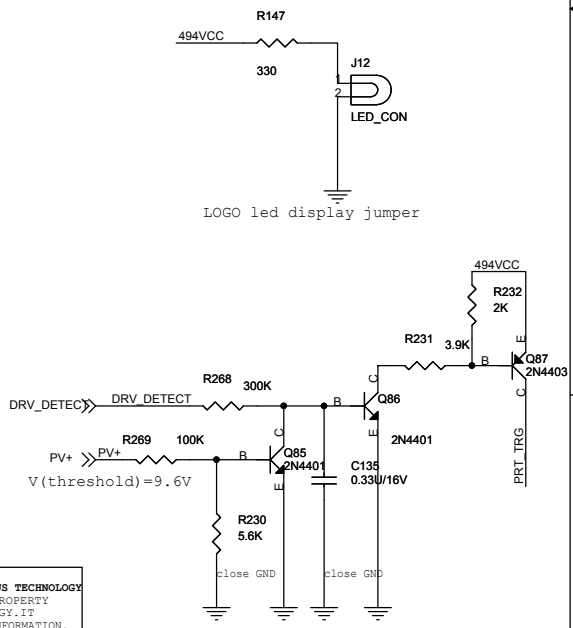
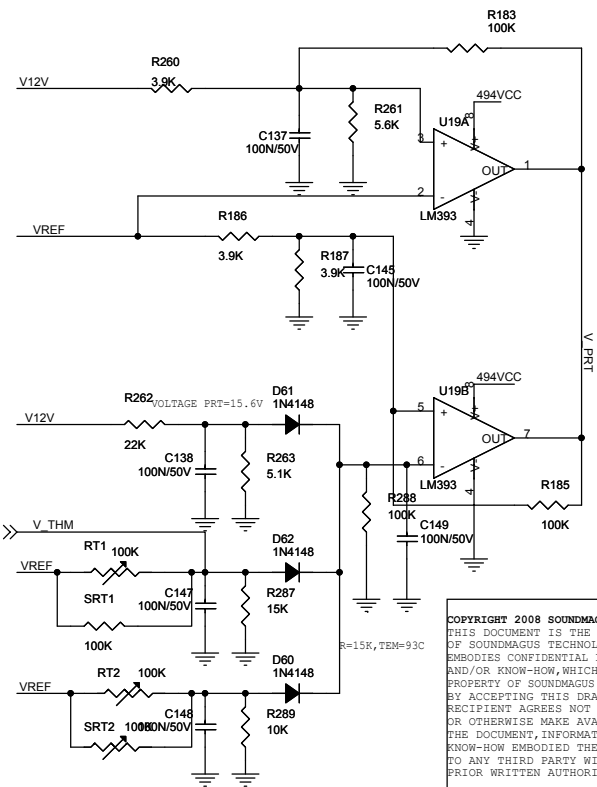
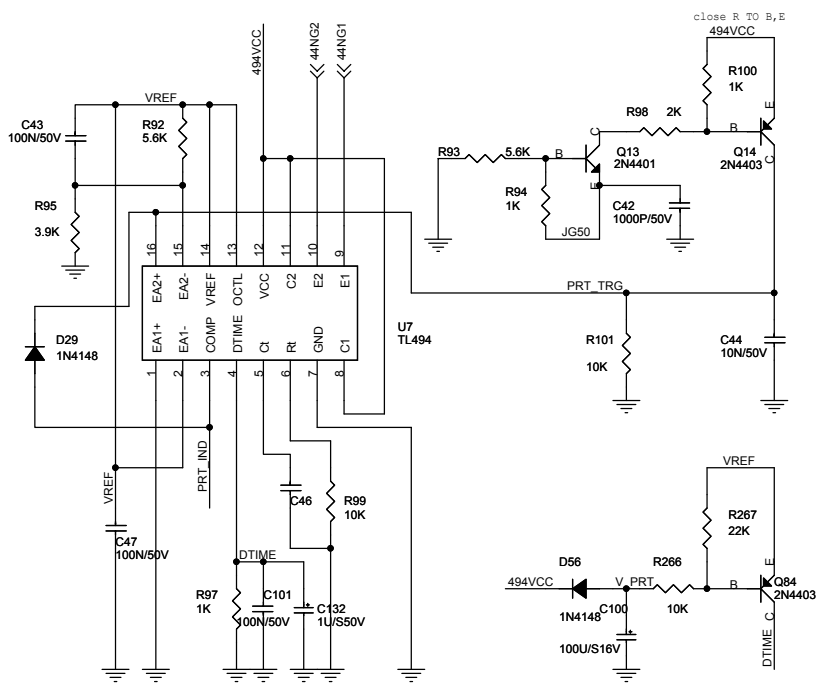
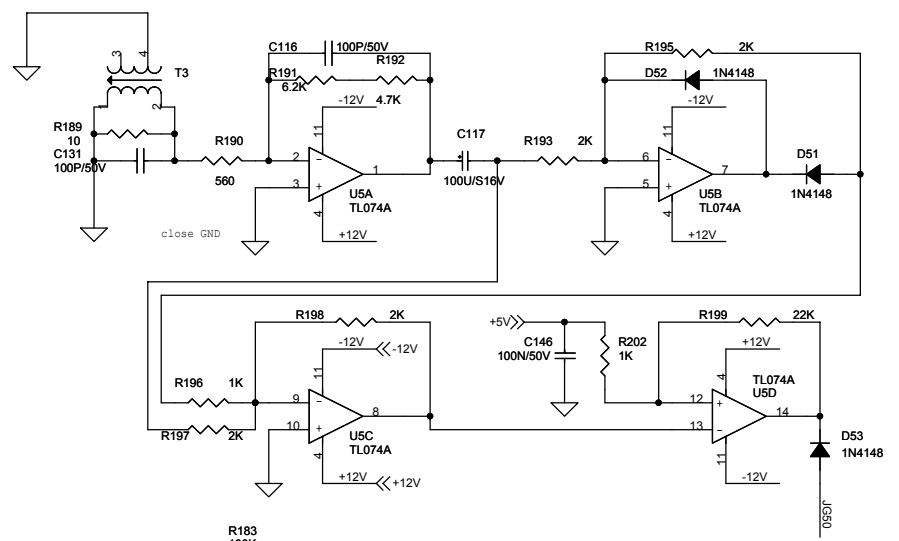
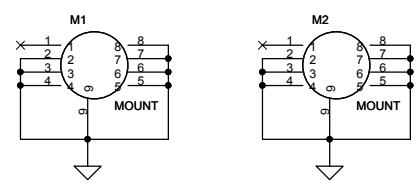
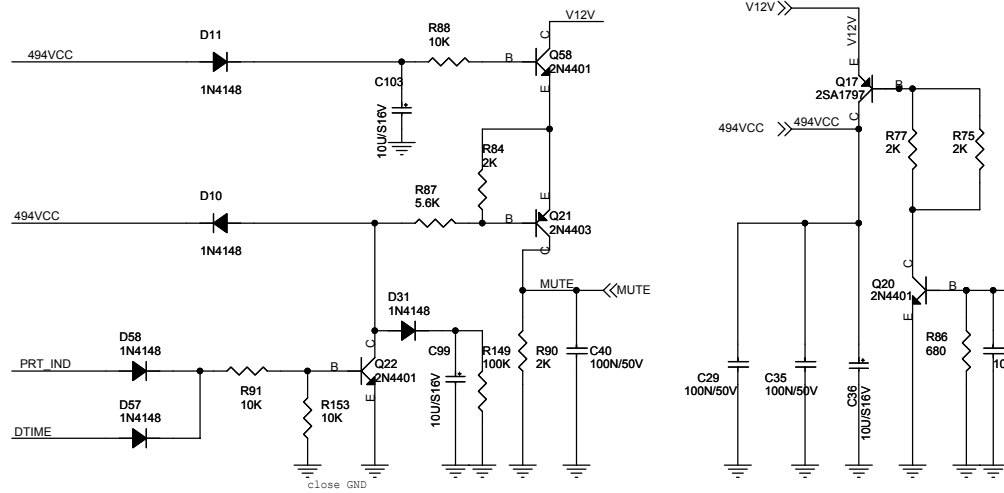
COPYRIGHT 2008 SOUNDMAGUS TECHNOLOGY
 THIS DOCUMENT IS THE PROPERTY
 OF SOUNDMAGUS TECHNOLOGY. IT
 EMBODIES CONFIDENTIAL INFORMATION.
 AND/OR KNOW-HOW, WHICH IS THE
 PROPERTY OF SOUNDMAGUS TECHNOLOGY.
 BY ACCEPTING THIS DRAWING THE
 RECIPIENT AGREES NOT TO PROVIDE
 OR OTHERWISE MAKE AVAILABLE
 THE DOCUMENT, INFORMATION OR
 KNOW-HOW EMBODIED THEREIN,
 TO ANY THIRD PARTY WITHOUT
 PRIOR WRITTEN AUTHORIZATION.

Title			DA1500-RC POWER TRANSFER
Size	Document Number	Rev	
A3	DA1500-RC	C	
Date:	Wednesday, May 05, 2010	Sheet	3 of 3



COPYRIGHT 2008 SOUNDMAGUS TECHNOLOGY
 THIS DOCUMENT IS THE PROPERTY
 OF SOUNDMAGUS TECHNOLOGY. IT
 EMBODIES CONFIDENTIAL INFORMATION,
 AND/OR KNOW-HOW, WHICH IS THE
 PROPERTY OF SOUNDMAGUS TECHNOLOGY.
 BY ACCEPTING THIS DRAWING THE
 RECIPIENT AGREES NOT TO PROVIDE
 OR OTHERWISE MAKE AVAILABLE
 THE DOCUMENT, INFORMATION OR
 KNOW-HOW EMBODIED THEREIN,
 TO ANY THIRD PARTY WITHOUT
 PRIOR WRITTEN AUTHORIZATION.

Title		DA1500-RC AMPLIFIER
Size	Document Number	DA1500-RC
Date:	Wednesday, June 23, 2010	Sheet 1 of 3
Rev	C	



COPYRIGHT 2008 SOUNDMAGUS TECHNOLOGY
 THIS DOCUMENT IS THE PROPERTY
 OF SOUNDMAGUS TECHNOLOGY. IT
 EMBODIES CONFIDENTIAL INFORMATION,
 AND/OR KNOW-HOW, WHICH IS THE
 PROPERTY OF SOUNDMAGUS TECHNOLOGY.
 BY ACCEPTING THIS DRAWING THE
 RECIPIENT AGREES NOT TO PROVIDE
 OR OTHERWISE MAKE AVAILABLE
 THE DOCUMENT, INFORMATION OR
 KNOW-HOW EMBODIED THEREIN,
 TO ANY THIRD PARTY WITHOUT
 PRIOR WRITTEN AUTHORIZATION.

Title		DA1500-RC POWER CONTROL	
Size	A3	Document Number	DA1500-RC
Date:	Wednesday, June 23, 2010	Sheet	2 of 3
			Rev C