



SEE SHEET ONE FOR DIMENSIONS AND REFERENCE DESIGNATOR INFORMATION

THE CONTENTS OF THIS DOCUMENT IS THE PROPERTY OF CONCEPTS INC. IT IS TO BE REPRODUCED OR USED EXCEPT AS AUTHORIZED IN WRITING BY CONCEPTS INC. IN CONNECTION WITH THE MANUFACTURE OF THE CONCEPTS CONVERTER. ANY OTHER REPRODUCTION OR USE WITHOUT THE WRITTEN AUTHORIZATION OF CONCEPTS INC. IS PROHIBITED.

CONCEPTS ELECTRONIC CONCEPTS INC.  
 745 W ST NO 414, SUITE 1  
 TAMPA, FL 33609-1909

CONVERTER  
 CONCEPTS

UNIT: ELECTROHOME

NAME: SCHEMATIC DIAGRAM (5 BOARD)

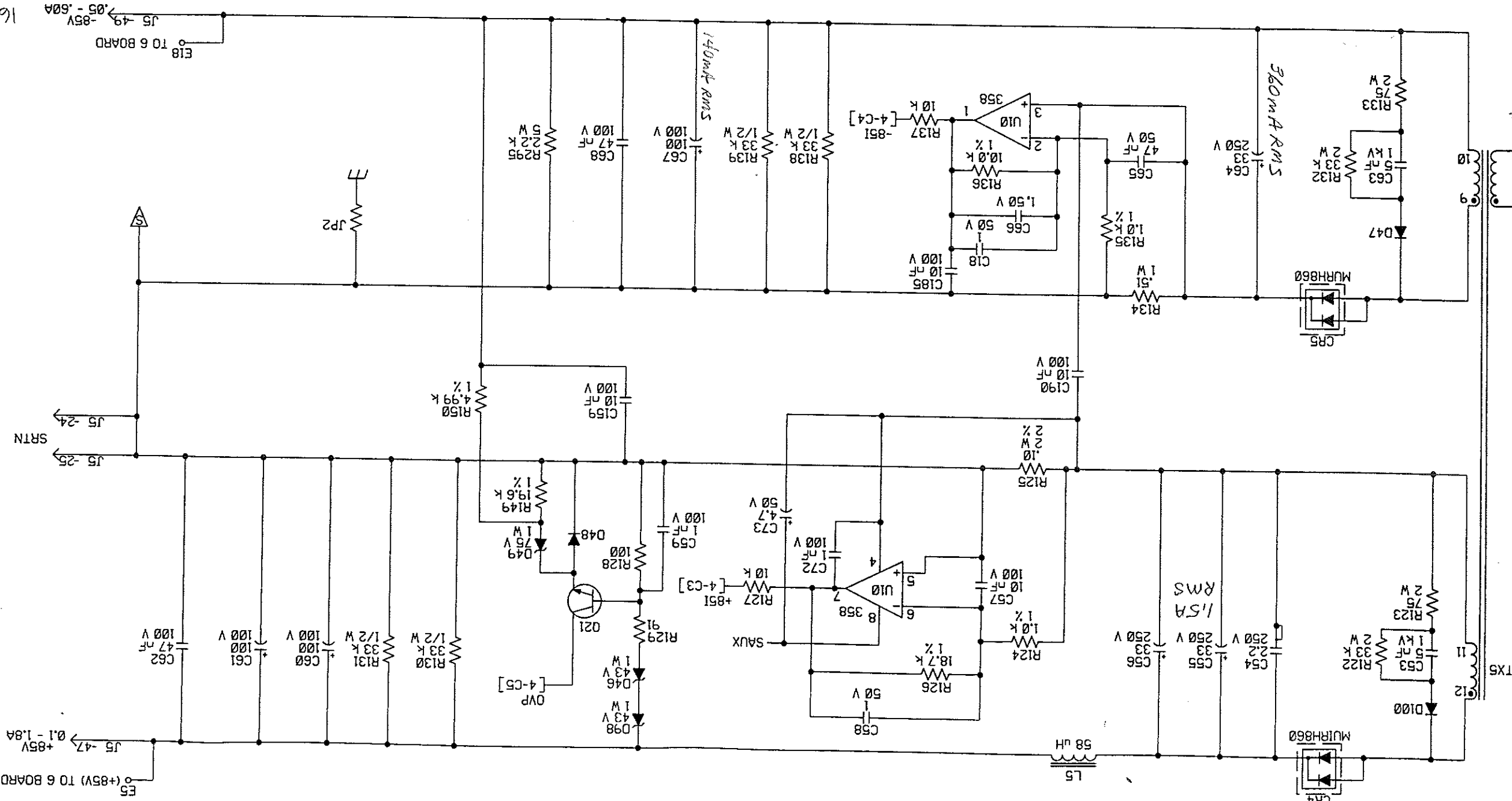
SHEET 2 OF 4  
 D 11-5172  
 ISSUE REV 1 A

Controlled Document  
 Stamped in Red

Controlled Document  
 Only Valid If  
 Stamped in Red

160mVPP  
 J5 -49 -85V  
 J5 -47 +85V

LFRI = 680μH  
 LEAK = 7.2μH



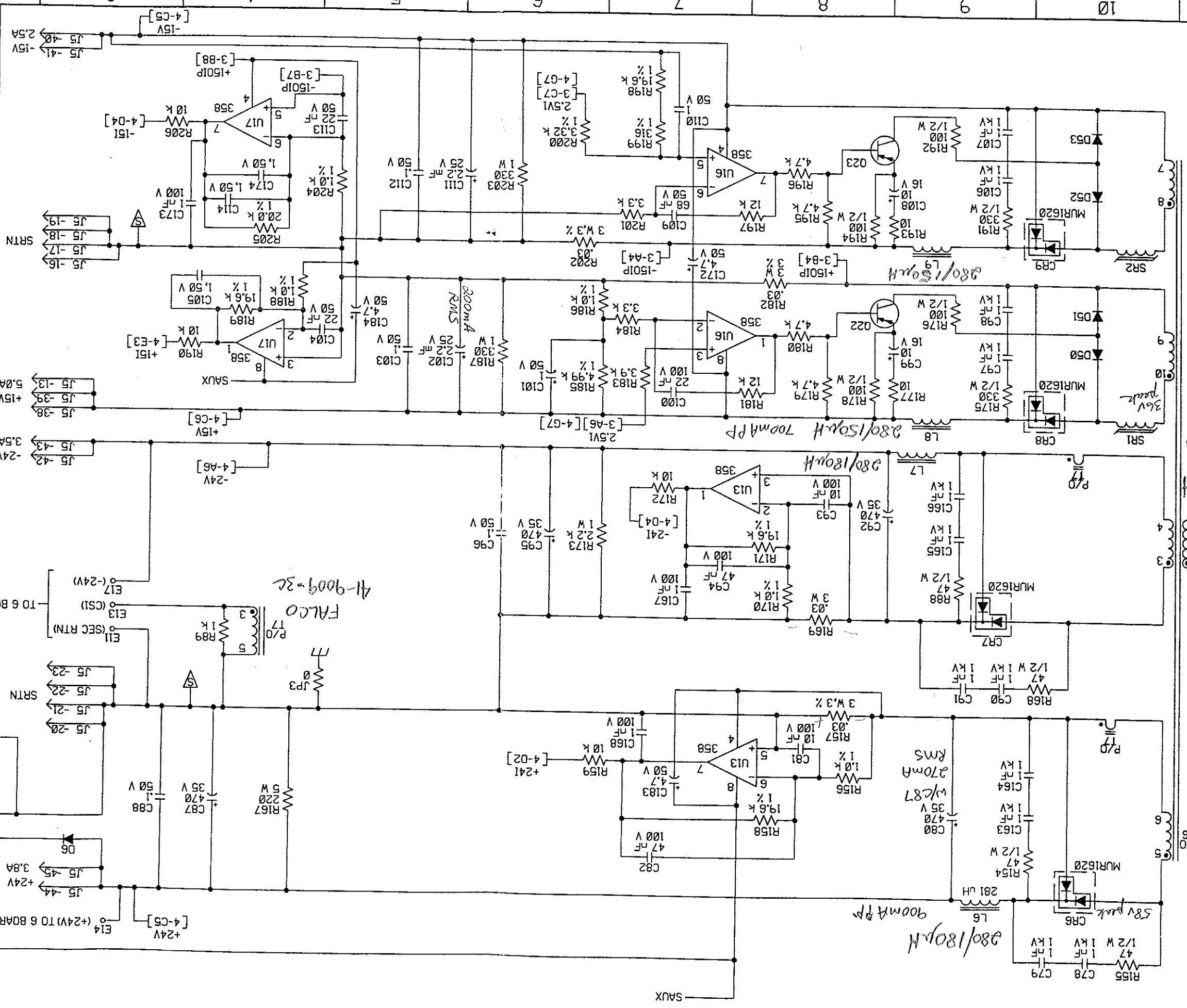
13mVPP  
 J5 -47 +85V  
 J5 -49 -85V

CONVERTER  
 CONCEPTS  
 745 W ST RD 451, SUITE 1  
 LAKELAND, FL 32750-4909

UNIT: ELECTROHOME PHOENIX  
 NAME: SCHEMATIC DIAGRAM (6 BOARD)

SHEET 3 OF 4  
 ONE SIZE  
 D 11-5172  
 1 A REV

SEE SHEET ONE FOR CHANGES AND REFERENCE DESIGNATOR INFORMATION  
 THE CONTENTS OF THIS DOCUMENT IS THE PROPERTY OF CONCEPTS INC. IT IS TO BE TREATED AS STRICTLY CONFIDENTIAL AND IS NOT TO BE DISCLOSED, REPRODUCED OR USED EXCEPT AS AUTHORIZED IN WRITING BY THE CCI CONNECTION TO WHICH IT PERTAINS.  
 COPYRIGHT © 1988, CONCEPTS INC.



Controlled Document  
 Only Valid if  
 Stamped in Red

LEAK = 11.3µH  
 L PRI = 6.2mH

FALCO  
 41-9009-3C

270mA  
 W/C87

280/180mA  
 900mA PP

FAN

FAN

(+24V) TO 6 BOARD

TO 6 BOARD

TO 6 BOARD



UNIT SCHEMATIC	P/N	SHTS
6BRD	11-6172	1-3
5BRD	11-6172	1-4
4BRD	N/A	N/A
3BRD	N/A	N/A
2BRD	N/A	N/A
1BRD	N/A	N/A
0BRD	N/A	N/A

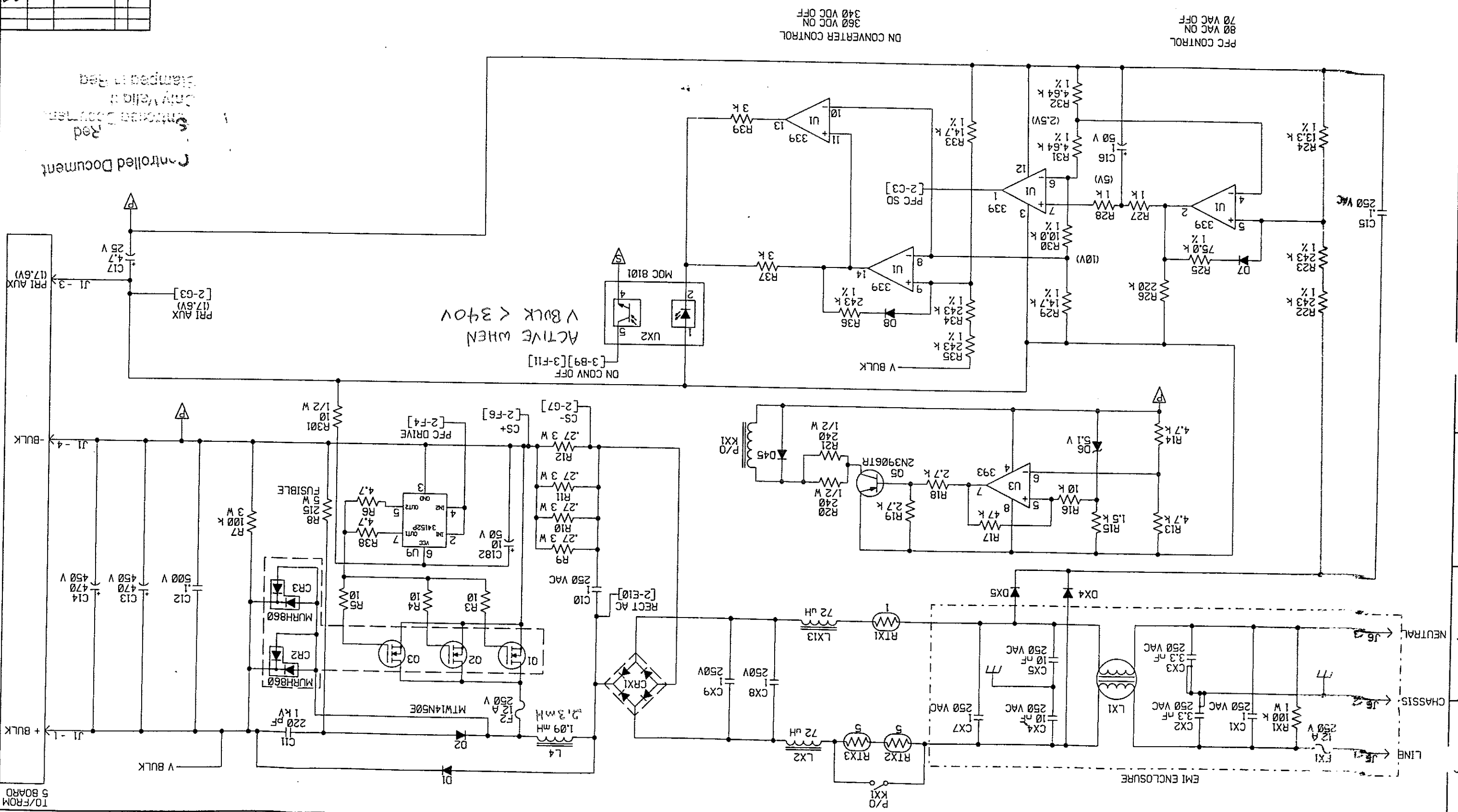
NOTES UNLESS OTHERWISE SPECIFIED:  
 1. ALL RESISTOR VALUES ARE IN OHMS, 1/4 W, 5 %.  
 2. ALL CAPACITOR VALUES ARE IN MICROFARADS.  
 3. ALL INDUCTOR VALUES ARE IN MICROHENRIES.

03,46-98,100;04;U10;L3,5-12  
 REFERENCE DESIGNATORS NOT USED: R2,89,122-139,149-159,167-173,175-295;C6,18,53-68,70,72,73,77-82,87,88,90-159,161-168,172-174,176-181,183-186;  
 KX1,4  
 R301,C188,D102,Q20,F4,RTX3,U15,CR3,J6,I4,L13,  
 UNIT ELECTROHOM PHOENIX  
 SCHEMATIC DIAGRAM (6 BOARD)  
 11-6172  
 1 REV

ISSUE	REV	DESCRIPTION	DATE	BY
1	A	PRODUCTION RELEASE	11-81	



HIGHEST REFERENCE DESIGNATORS USED  
 WHICH IT PERTAINS TO THE MANUFACTURE, MAINTENANCE AND USE OF THE EQUIPMENT TO WHICH IT IS APPLIED.  
 THE CONTENTS OF THIS DOCUMENT IS THE PROPERTY OF CONCEPTS INC. IT IS TO BE TREATED AS STRICTLY CONFIDENTIAL AND IS NOT TO BE DISCLOSED, REPRODUCED OR USED EXCEPT AS AUTHORIZED IN WRITING BY CONCEPTS INC. IN CONNECTION WITH THE MANUFACTURE, MAINTENANCE AND USE OF THE EQUIPMENT TO WHICH IT PERTAINS TO THE MANUFACTURE, MAINTENANCE AND USE OF THE EQUIPMENT TO WHICH IT IS APPLIED.



Controlled Document  
 Red  
 Entered Document  
 Only Valid if  
 Stamped in Red

ACTIVE WHEN  
 V BULK < 340V

DN CONVERTER CONTROL  
 360 VDC ON  
 340 VDC OFF

PFC CONTROL  
 80 VAC ON  
 70 VAC OFF

TO/FROM 5 BOARD

47-01

SEE SHEET ONE FOR CHANGES AND REFERENCE DESIGNATION INFORMATION

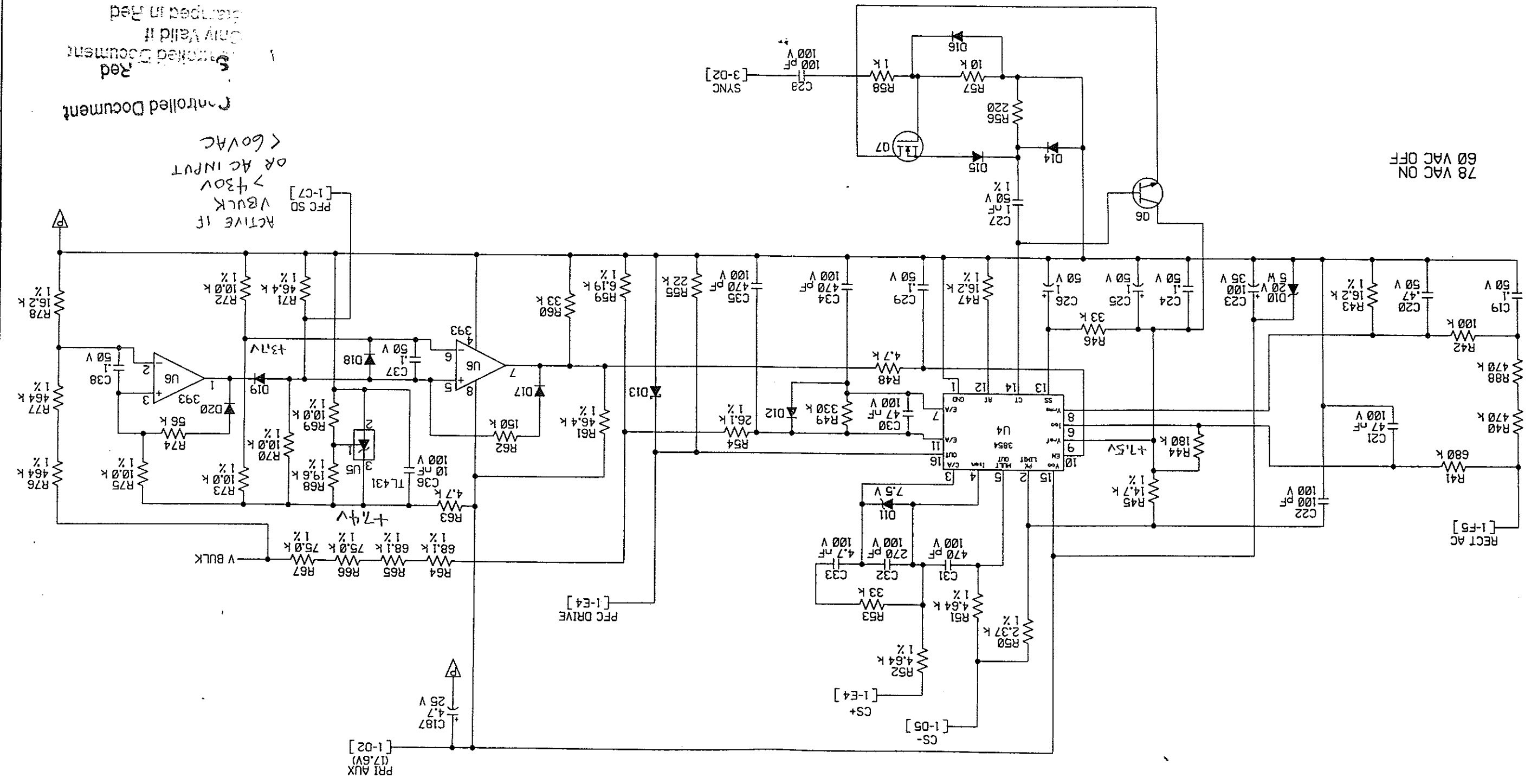
THE CONTENTS OF THIS DOCUMENT IS NOT INTELLECTUAL PROPERTY AND IS THE PROPERTY OF CONVERTER CONCEPTS INC. IT IS TO BE TREATED AS STRICTLY CONFIDENTIAL AND IS NOT TO BE DISCLOSED, REPRODUCED OR USED EXCEPT AS AUTHORIZED IN WRITING BY CCI IN CONNECTION WITH THE MANUFACTURE, MAINTENANCE AND USE OF THE CCI EQUIPMENT TO WHICH IT PERTAINS. COPYRIGHT © 2001, CONVERTER CONCEPTS INC.

**CONVERTER CONCEPTS**  
 745 W 57 RD 454, SUITE J  
 LONGWOOD, FL 32750-4909

UNIT: ELECTROHOME PHOENIX  
 NAME: SCHEMATIC DIAGRAM (6 BOARD)

SHEET 2 OF 3  
 Dwg 11-6172  
 ISSUE 1

PFC CONTROL



Controlled Document  
 3. Attached Document  
 Only Valid if  
 stamped in Red

ACTIVE IF  
 > 430V  
 VBUCK  
 OR AC INPUT  
 < 60VAC

78 VAC ON  
 60 VAC OFF

PRI AUX  
 (17.6V)  
 [1-02]

PFC DRIVE  
 [1-E4]

CS-  
 [1-05]

CS+  
 [1-E4]

RECT AC  
 [1-F5]

1 2 3 4 5 6 7 8 9 10 11

1 2 3 4 5 6 7 8 9 10 11

SEE SHEET 1 FOR NOTES.

Controlled Document  
 Controlled Document  
 Controlled Document

FLYBACK

power supply  
 flyback

FORWARD

forward converter

