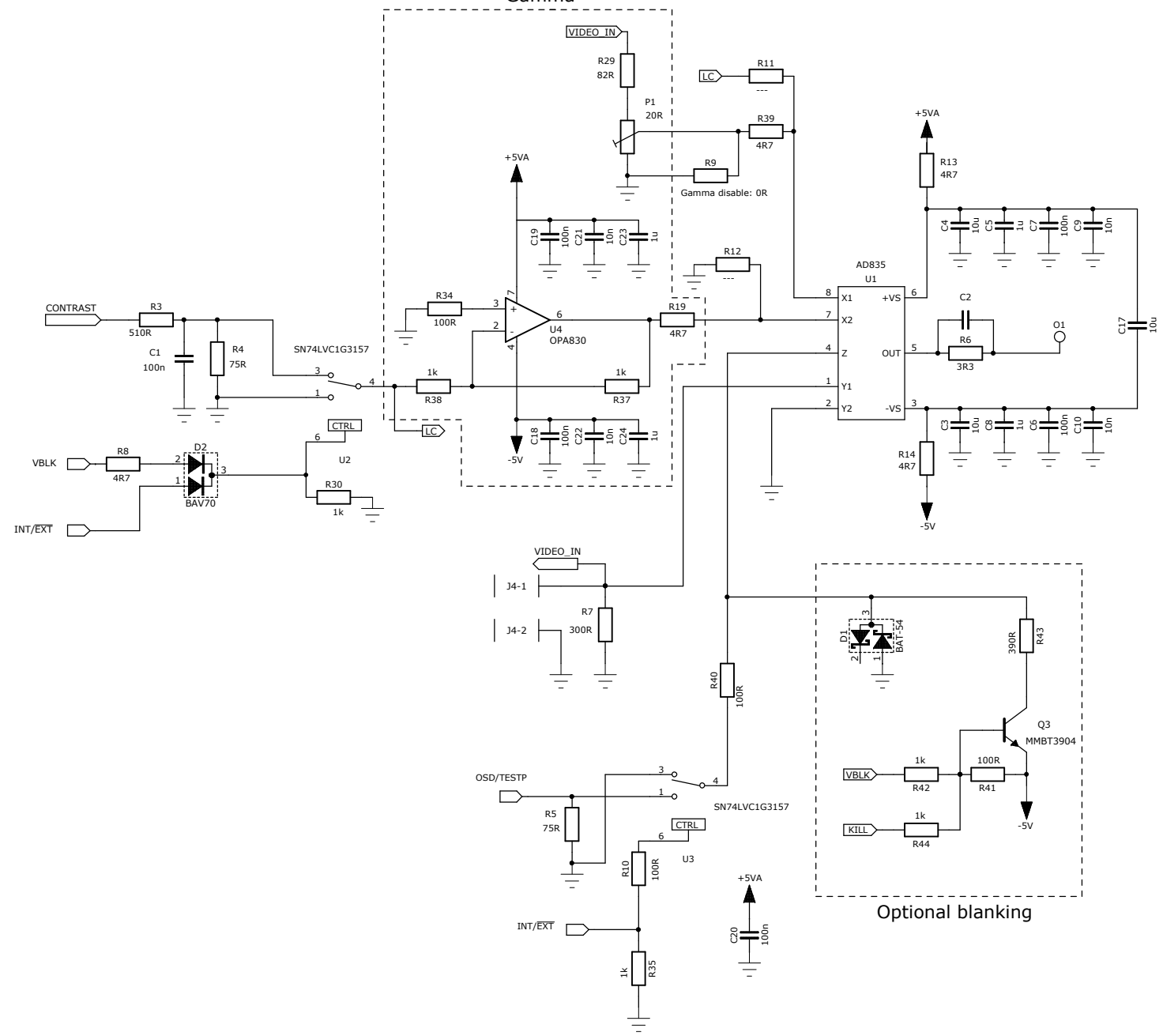


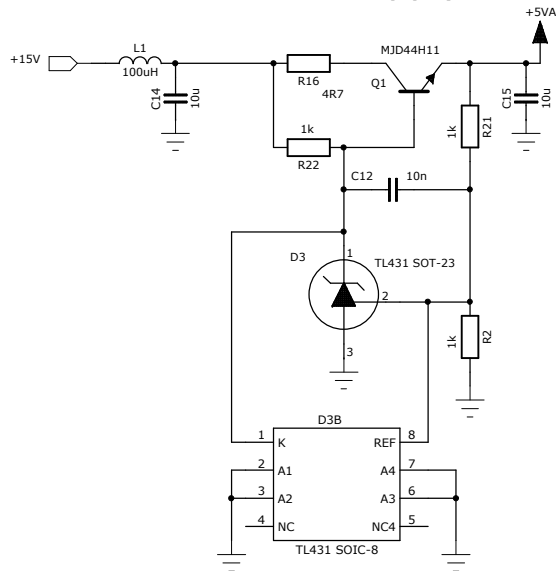
Gamma



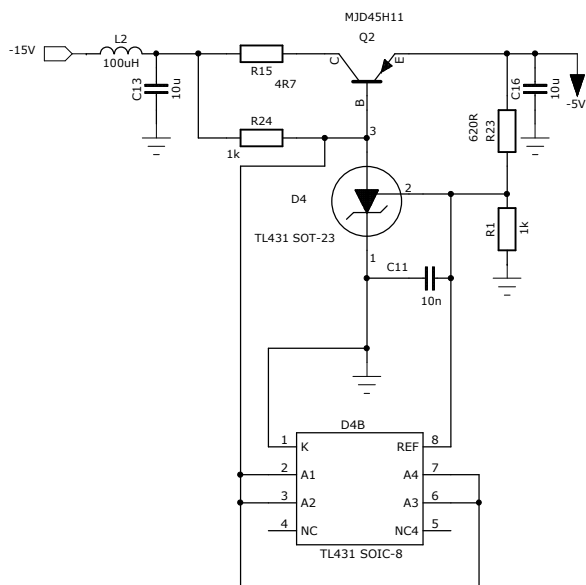
Optional blanking

Equipment		EELCTROHOME / CHRISTIE / VDC MARQUEE	
Title		VNB-DB v3	
Size	Document Number	Rev	
A4		JG	
Date:	02.01.2017	Sheet	1 of 2

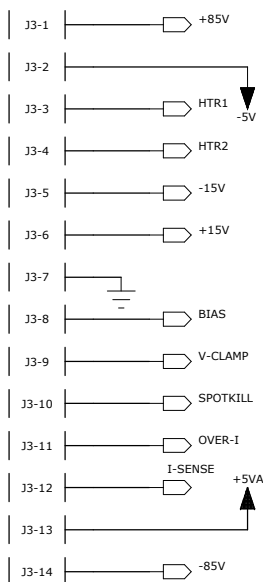
+5V supply



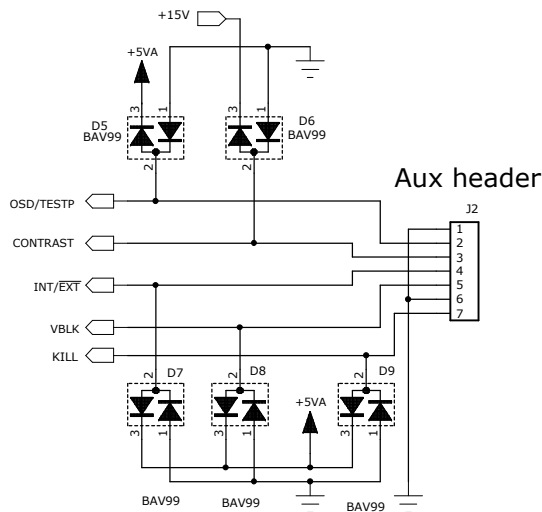
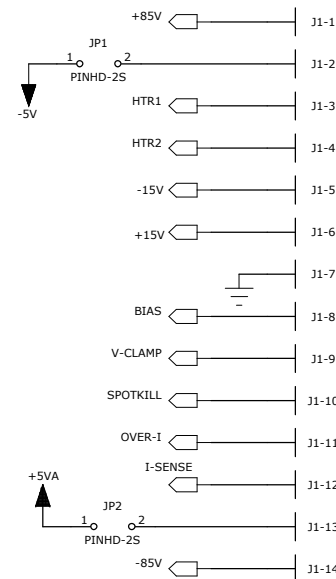
-5V supply



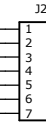
To VNB



DB Header



Aux header



Equipment		ELECTROHOME / CHRISTIE / VDC MARQUEE	
Title		VNB-DB v3	
Size	Document Number	Rev	
A4		JG	
Date:	02.01.2017	Sheet	2 of 2