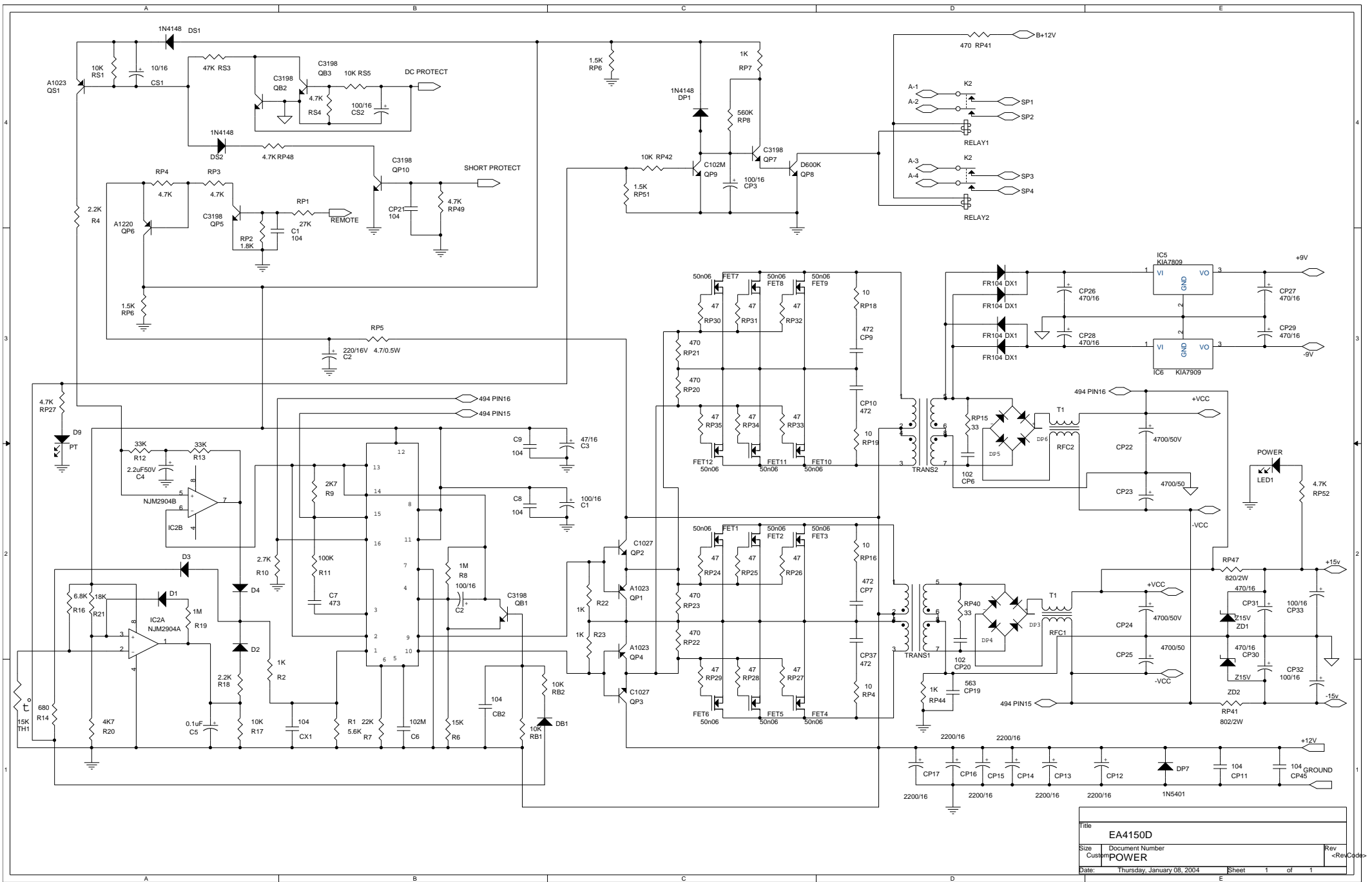


Title	EA4150D	
Size	Document Number	Rev
A3	INPUT&X-OVER	1
Date:	Monday, February 14, 2000	Sheet 1 of 1



Title			
EA4150D			
Size	Document Number	Rev	
Customer	POWER	<Rev Code>	
Date:	Thursday, January 08, 2004	Sheet	1 of 1

