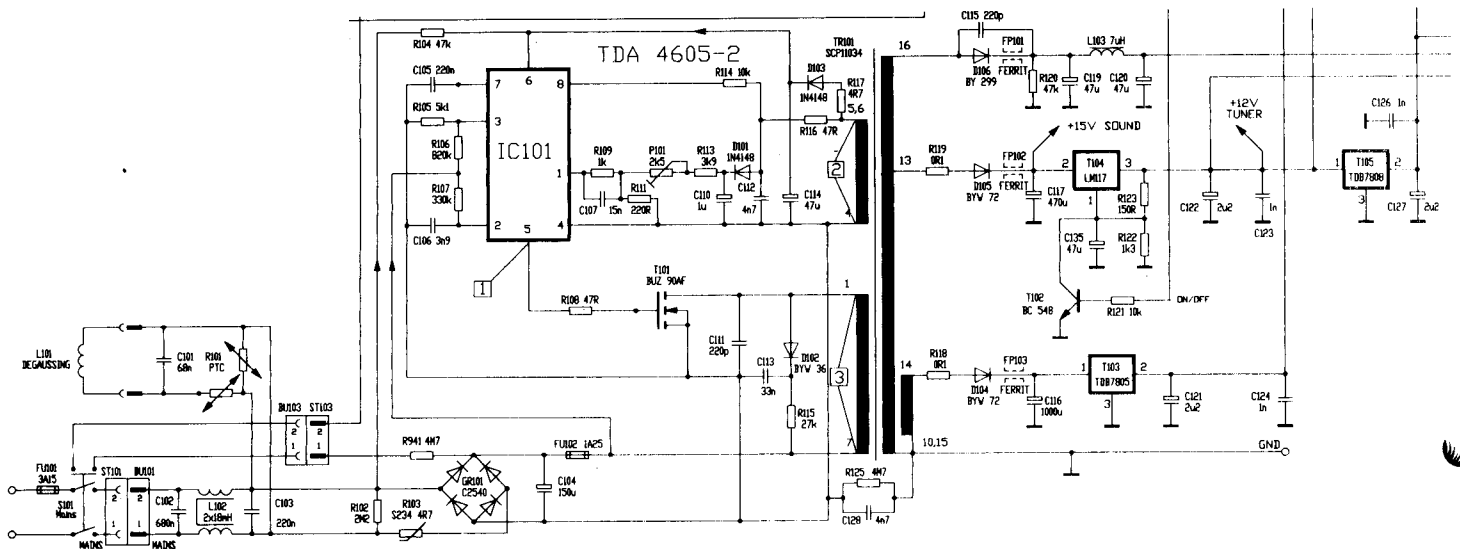
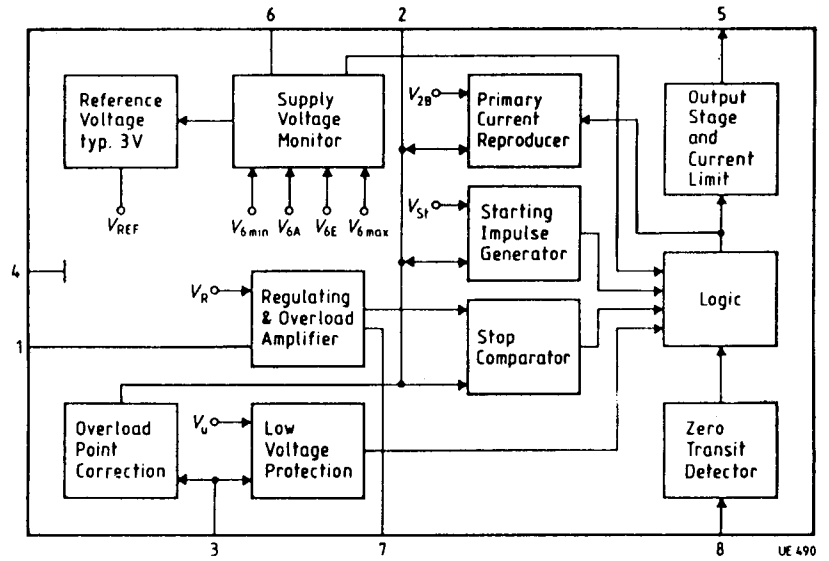


# POWER SUPPLY

TDA 4605-2  
Control IC for Switched-Mode  
Power Supplies using  
MOS Transistors

Block Diagram



## START UP

When TV is switched ON a start voltage (9V) is geneted over R104 at pin 6 of IC 101, TDA4605-2, IC101 produces a 50 KHz squarewave, which is supplied to the base of T101, BUZ90A over 106 Collector of T101 is connected to 330 V with switch mode transformer TR101, 330 V is chopped at the primary side of the transformer. This generates varios voltages at pins 5,6,13,14,16 of the secondary side of the transformer TR101.

## NORMAL OPERATION

Voltage from pin 5,6 of transformer Tr101 is reftified wieth D103 and applied to pin 6 of IC101. When this stable voltage 12 V dC reaches pin 6, start voltage is interrupted.

## VOLTAGE REGULATION

Voltage obtained from D103 goes over D101, R113, P101, to pin 1 of IC101, TDA 4605-2. This circuit regulates the main supply voltage U1 125V. Pin 8 of IC101 is connected over R114 to pin 8 of TR101, which performs automatic voltage control.