

Replaceable Electrical Parts

Parts Ordering Information

Replacement parts are available from or through your local Tektronix, Inc. Field Office or representative.

When ordering parts, include the following information in your order: part number, instrument type or number, serial number, and modification number if applicable.

If a part you have ordered has been replaced with a new or improved part, your local Tektronix, Inc. Field Office or representative will contact you concerning any change in part number.

Change information, if any, is located at the rear of this manual.

List of Assemblies

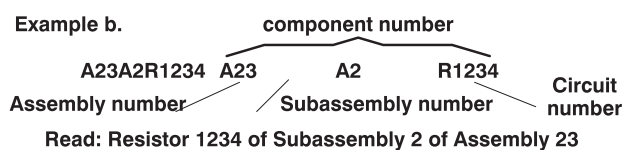
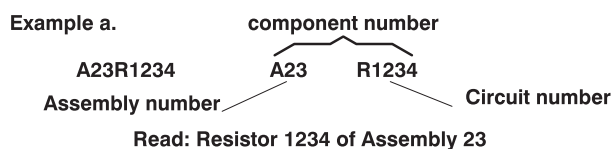
A list of assemblies can be found at the beginning of the electrical parts list. The assemblies are listed in numerical order. When the complete component number of a part is known, this list will identify the assembly in which the part is located.

Cross Index-Mfr. Code Number to Manufacturer

The Mfg. Code Number to Manufacturer Cross Index for the electrical parts list is located immediately after this page. The cross index provides codes, names, and addresses of manufacturers of components listed in the electrical parts list.

Abbreviations

Abbreviations conform to American National Standard Y1.1.



Component Number

(column 1 of the parts list)

The circuit component's number appears on the diagrams and circuit board illustrations. Each diagram and circuit board illustration is clearly marked with the assembly number. Assembly numbers are also marked on the mechanical exploded views located in the mechanical parts list. The component number is obtained by adding the assembly number prefix to the circuit number.

The electrical parts list is divided and arranged by assemblies in numerical sequence (e.g., assembly A1 with its subassemblies and parts, precedes assembly A2 with its subassemblies and parts).

Chassis-mounted parts have no assembly number prefix and are located at the end of the electrical parts list.

Tektronix Part No.

(column 2 of the parts list)

Indicates part number to be used when ordering replacement part from Tektronix.

Serial No.

(columns 3 & 4 of the parts list)

Column three (3) indicates the serial number at which the part was first used. Column four (4) indicates the serial number at which the part was removed. No serial number entered indicates part is good for all serial numbers.

Name & Description

(column five of the parts list)

In the parts list, an item name is separated from the description by a colon (:). Because of space limitations, an item name may sometimes appear as

incomplete. For further item name identification, the U.S. Federal Catalog handbook H6-1 can be utilized where possible.

Mfr. Code

(column 6 of the parts list)

Indicates the code number of the actual manufacturer of the part. (Code to name and address cross reference can be found immediately after this page.)

Mfr. Part No.

(column 7 of the parts list)

Indicates actual manufacturer's part number.

CROSS INDEX – MFR. CODE NUMBER TO MANUFACTURER

Mfr. Code	Manufacturer	Address	City, State, Zip Code
TK1727	PHILIPS NEDERLAND BV AFD ELONCO	POSTBUS 90050	5600 PB EINDHOVEN THE NETHERLANDS
OJR03	ZMAN MAGNETICS INC	7633 S 180th	KENT WA 98032
01121	ALLEN-BRADLEY CO	1201 S 2ND ST	MILWAUKEE WI 53204-2410
04222	AVX CERAMICS DIV OF AVX CORP	19TH AVE SOUTH P O BOX 867	MYRTLE BEACH SC 29577
04426	ITW SWITCHES DIV OF ILLINOIS TOOL WORKS INC	6615 W IRVING PARK RD	CHICAGO IL 60634-2410
04713	MOTOROLA INC SEMICONDUCTOR PRODUCTS SECTOR	5005 E MCDOWELL RD	PHOENIX AZ 85008-4229
12697	CLAROSTAT MFG CO INC	LOWER WASHINGTON ST	DOVER NH 03820
12954	MICROSEMI CORP - SCOTTSDALE	8700 E THOMAS RD P O BOX 1390	SCOTTSDALE AZ 85252
14298	INSILCO CORP ACIC DIV	PAMLICO BLDG SUITE 209 3306 EAST CHAPEL HILL NELSON HWY	RESEARCH TRIANGLE PARK NC 27709
19701	PHILIPS COMPONENTS DISCRETE PRODUCTS DIV RESISTIVE PRODUCTS FACILITY AIRPORT ROAD	PO BOX 760	MINERAL WELLS TX 76067-0760
23223	CTS CORP MICROELECTRONICS DIV	1201 CUMBERLAND AVE	WEST LAFAYETTE IN 47902
24165	SPRAGUE ELECTRIC CO	267 LOWELL ROAD	HUDSON NH 03051
24546	BRADFORD ELECTRONICS	550 HIGH ST	BRADFORD PA 16701-3737
25403	PHILIPS COMPONENTS DISCRETE PRODUCTS DIV DISCRETE SEMICONDUCTOR GROUP	GEORGE WASHINGTON HWY	SMITHFIELD RI 02917
27014	NATIONAL SEMICONDUCTOR CORP	2900 SEMICONDUCTOR DR	SANTA CLARA CA 95051-0606
29454	JOHANSON DIELECTRICS INC	2210 SCREENLAND DR PO BOX 6465	BURBANK CA 91505-1137

CROSS INDEX – MFR. CODE NUMBER TO MANUFACTURER

Mfr. Code	Manufacturer	Address	City, State, Zip Code
32997	BOURNS INC TRIMPOT DIV	1200 COLUMBIA AVE	RIVERSIDE CA 92507–2114
51406	MURATA ERIE NORTH AMERICA INC HEADQUARTERS AND GEORGIA OPERATIONS	2200 LAKE PARK DR	SMYRNA GA 30080
51642	CENTRE ENGINEERING INC	2820 E COLLEGE AVE	STATE COLLEGE PA 16801–7515
52262	MICROPLEX INC	2126 S LYON ST	SANTA ANA CA 92705–5304
52763	STETCO INC	3344 SCHIERHORN	FRANKLIN PARK IL 60131
54583	TDK ELECTRONICS CORP	12 HARBOR PARK DR	PORT WASHINGTON NY 11550
56845	DALE ELECTRONICS INC	2300 RIVERSIDE BLVD PO BOX 74	NORFOLK NE 68701–2242
59660	TUSONIX INC	7741 N BUSINESS PARK DR PO BOX 37144	TUCSON AZ 85740–7144
64537	KDI ELECTRONICS INC SUBSIDIARY OF KDI CORP	31 FARINELLA DR	EAST HANOVER NJ 07936
73138	BECKMAN INDUSTRIAL CORP BECKMAN ELECTRONIC TECHNOLOGIES SUB OF EMERSON ELECTRIC	4141 PALM ST	FULLERTON CA 92635
79727	C–W INDUSTRIES	130 JAMES WAY	SOUTHAMPTON PA 18966–3818
80009	TEKTRONIX INC	14150 SW KARL BRAUN DR PO BOX 500	BEAVERTON OR 97077–0001
80031	MEPCO/ELECTRA INC	22 COLUMBIA RD	MORRISTOWN NJ 07960
84411	AMERICAN SHIZUKI CORP OGALLALA OPERATIONS	301 WEST O ST	OGALLALA NE 69153–1844
91637	DALE ELECTRONICS INC	2064 12TH AVE PO BOX 609	COLUMBUS NE 68601–3632

P6201 Probe

Component Number	Tektronix Part No.	Serial No.		Name & Description	Mfr. Code	Mfr. Part No.
		Effective	Dscont			
A1	670-2210-XX			CIRCUIT BD ASSY:PROBE	80009	6702210XX
A2	670-2211-XX			CIRCUIT BD ASSY:ATTENUATOR	80009	6702211XX
A3	670-2212-XX			CIRCUIT BD ASSY:100X ATTEN	80009	6702212XX
A4	670-2296-XX			CIRCUIT BD ASSY:HI FREQ OUTPUT AMPLIFIER	80009	6702296XX
A5	670-2297-XX			CIRCUIT BD ASSY:LOW FREQ OUTPUT AMPLIFIER	80009	6702297XX
C1	283-0310-00	B010100	B039999	CAP,FXD,CER DI:2.5PF,+/-0.25PF,100V	04222	08051A2R5CATBE
C2				(NONREPLACEABLE SUBPART OF 670-2211-XX)		
C3	283-0310-00	B010100	B059999	CAP,FXD,CER DI:2.5PF,+/-0.25PF,100V	04222	08051A2R5CATBE
C3	283-0311-00	B060000	B076839	CAP,FXD,CER DI:4.7PF,+/-0.25PF,100V	04222	10051A4R7CATBA
C3	283-5028-00	B076840		CAP,FXD,CER DI:4.7PF,5%,50V	04222	08055A4R7DATMC
C21	283-0320-00			CAP,FXD,CER DI:1PF,0.25%,50V	54583	C2012C0G1H010C-
C22				(NONREPLACEABLE SUBPART OF 670-2212-XX)		
C23	283-0332-00			CAP,FXD,CER DI:47PF,5%,50V	51642	S150-050-N750-4
C100	283-0314-00	B010100	B082465	CAP,FXD,CERAMIC:MLC;100PF,10%,100V,NPO,0.08X0.05	04222	08051A101KA2075
C100	283-5099-00	B082466		CAP,FXD,CER DI:100PF,2%,100V	04222	08051A101GA1BC
C120	283-0311-00	B010100	B082465	CAP,FXD,CER DI:4.7PF,+/-0.25PF,100V	04222	10051A4R7CATBA
C120	283-5028-00	B082466		CAP,FXD,CER DI:4.7PF,5%,50V	04222	08055A4R7DATMC
C130	283-0315-00	B010100	B082465	CAP,FXD,CER DI:470PF,10%,100V	04222	10051A471KATMC
C130	283-5138-00	B082466		CAP,FXD,CERAMIC:MLC;470PF,2%,25V,NPO,0.08X0.05	29454	250R15N471JV4P-
C140	283-0315-00	B010100	B082465	CAP,FXD,CER DI:470PF,10%,100V	04222	10051A471KATMC
C140	283-5138-00	B082466		CAP,FXD,CERAMIC:MLC;470PF,2%,25V,NPO,0.08X0.05	29454	250R15N471JV4P-
C150	283-0315-00	B010100	B082465	CAP,FXD,CER DI:470PF,10%,100V	04222	10051A471KATMC
C150	283-5138-00	B082466		CAP,FXD,CERAMIC:MLC;470PF,2%,25V,NPO,0.08X0.05	29454	250R15N471JV4P-
C155	283-0320-00	B010100	B082465	CAP,FXD,CER DI:1PF,0.25%,50V	54583	C2012C0G1H010C-
C160	283-0310-00	B010100	B076839	CAP,FXD,CER DI:2.5PF,+/-0.25PF,100V	04222	08051A2R5CATBE
C160	281-0285-00	B076840		CAP,VAR,PLASTIC:1.5-6.0PF,25V	51406	DVS3A6A
C170	290-0308-00	B010100	B046190	CAP,FXD,ELCTLT:1UF,20%,35V TANTALUM	24546	HV105A-20/9011
C170	290-0267-00	B046191		CAP,FXD,ELCTLT:1UF,20%,35V	24165	173D105X0035V
C180	290-0308-00	B010100	B078999	CAP,FXD,ELCTLT:1UF,20%,35V TANTALUM	24546	HV105A-20/9011
C180	290-0267-00	B079000		CAP,FXD,ELCTLT:1UF,20%,35V	24165	173D105X0035V
C200	285-0919-00			CAP,FXD,PLASTIC:0.22UF,10%,100V	84411	TEK35 .22 10 10
C210	283-0176-00			CAP,FXD,CER DI:0.0022UF,20%,50V	04222	SR155C222MAA
C220	281-0123-00	B010100	B046190	CAP,VAR,CER DI:5-25PF,100V	59660	518-000A5-25
C220	281-0158-00	B046191	B059999	CAP,VAR,CER DI:7-45PF,100WVDC SUBMIN CER DISC TOP ADJ	59660	518-006 G 7-45
C220	281-0158-01	B060000	B081769	CAP,VAR,CER DI:7-45 PF,100V	59660	518-006G7-45
C220	281-0252-00	B081970		CAP,VAR,CER DI:7-45PF,100V	51406	TZ03P450FR169
C230	281-0528-00			CAP,FXD,CER DI:82PF,+/-8.2PF,500V	52763	ADVISE

P6201 Probe

Component Number	Tektronix Part No.	Serial No.		Name & Description	Mfr. Code	Mfr. Part No.
		Effective	Dscont			
C240	290-0134-00			CAP,FXD,ELCTLT:22UF,20%,15V	24165	150D226X0015B2
C295	283-0139-00	B076840		CAP,FXD,CERAMIC:MLC;150PF,10%,50V,COG,0.138	04222	SR15A151KAT
C300	290-0247-00			CAP,FXD,ELCTLT:5.6UF,10%,6V	12954	D5R6EA5K1
C302	283-0320-00			CAP,FXD,CER DI:1PF,0.25%,50V	54583	C2012C0G1H010C-
C305	283-0220-00			CAP,FXD,CER DI:0.01UF,20%,50V	04222	SR205C103MAA
C310	283-0252-00	B076840		CAP,FXD,CER DI:0.001UF,10%,50V	04222	08055C102KAT9A
C315	281-0218-00			CAP,VAR,CER DI:1-5PF,+2 -2.5%,100V	59660	513-011A1-5
C320	283-0315-00			CAP,FXD,CER DI:470PF,10%,100V	04222	10051A471KATMC
C325	281-0196-00	B010100	B060646	CAP,VAR,CER DI:10-38PF,250V	80031	2805F 01038 EAM
C325	281-0219-00	B060647		CAP,VAR,CER DI:5-35PF,+2 -2.5%,100V	59660	513-011 A 5-35
C330	283-0325-00			CAP,FXD,CER DI:47PF,10%,100V	04222	10051A470KATBA
C350	283-0177-00			CAP,FXD,CER DI:1UF,+80-20%,25V	04222	SR303E105ZAA
C355	283-0310-00	B010100	B029999	CAP,FXD,CER DI:2.5PF,+/-0.25PF,100V (TEST SELECTABLE)	04222	08051A2R5CATBE
C358	281-0218-00			CAP,VAR,CER DI:1-5PF,+2 -2.5%,100V	59660	513-011A1-5
C360	283-0111-00			CAP,FXD,CER DI:0.1UF,20%,50V	04222	SR215C104MAA
C365	283-0209-00			CAP,FXD,CER DI:1UF,20%,50V	51642	UC35-050-Z5U-10
C375	283-0311-00	B010100	B076839	CAP,FXD,CER DI:4.7PF,+/-0.25PF,100V	04222	10051A4R7CATBA
C375	283-5028-00	B076840		CAP,FXD,CER DI:4.7PF,5%,50V	04222	08055A4R7DATMC
CR200	152-0246-00			SEMICON DVC,DI:SW,SI,40V,200MA,DO-7	27014	FDH5227.03
CR210	152-0246-00			SEMICON DVC,DI:SW,SI,40V,200MA,DO-7	27014	FDH5227.03
L300	108-0737-00	B010100	B029999	COIL,RF:FIXED,40NH	0JR03	108-0737-00
L310	108-0737-00			COIL,RF:FIXED,40NH	0JR03	108-0737-00
L393	108-0170-01			COIL,RF:FIXED,360NH	0JR03	108-0170-01
Q100	151-1023-00	B010100	B053094	TRANSISTOR,SIG:JFET,N-CH	80009	151102300
Q100	151-1023-01	B053095	B078999	TRANSISTOR:FE,SI,N-CHANNEL	04713	SMCM485
Q100	151-5025-00	B079000		TRANSISTOR,SIG:JFET,N-CH;6V,15MA,4.5MS, AMPLIFIER	04713	MMBF4416
Q120	151-0362-01	B010100	8513	TRANSISTOR:PNP,SI,U-43	80009	151-0362-01
Q120	151-0362-00	8514	B082465	TRANSISTOR:PNP,SI,U-43	04713	SMT1105
Q120	151-5055-00	B082466		TRANSISTOR,SIG:BIPOLAR,PNP;10V,30MA,5.5GHZ, AMPLIFIER	04713	MMBR536LT1
Q130	151-0362-01	B010100	8513	TRANSISTOR:PNP,SI,U-43	80009	151-0362-01
Q130	151-0362-00	8514	B082465	TRANSISTOR:PNP,SI,U-43	04713	SMT1105
Q130	151-5055-00	B082466		TRANSISTOR,SIG:BIPOLAR,PNP;10V,30MA,5.5GHZ, AMPLIFIER	04713	MMBR536LT1
Q300	151-0416-00	B010100	B029999	TRANSISTOR:NPN,SI	80009	151041600
Q300	151-0475-00	B030000	B059999	TRANSISTOR:NPN,SI,MACRO-T	25403	BFR91/02
Q300	151-0475-01	B060000	8513	TRANSISTOR:SCREENED	80009	151-0475-01
Q300	151-0475-00	8514		TRANSISTOR:NPN,SI,MACRO-T	25403	BFR91/02
Q320	151-0416-00	B010100	B029999	TRANSISTOR:NPN,SI	80009	151041600
Q320	151-0475-00	B030000	B059999	TRANSISTOR:NPN,SI,MACRO-T	25403	BFR91/02
Q320	151-0475-01	B060000	8513	TRANSISTOR:SCREENED	80009	151-0475-01

P6201 Probe

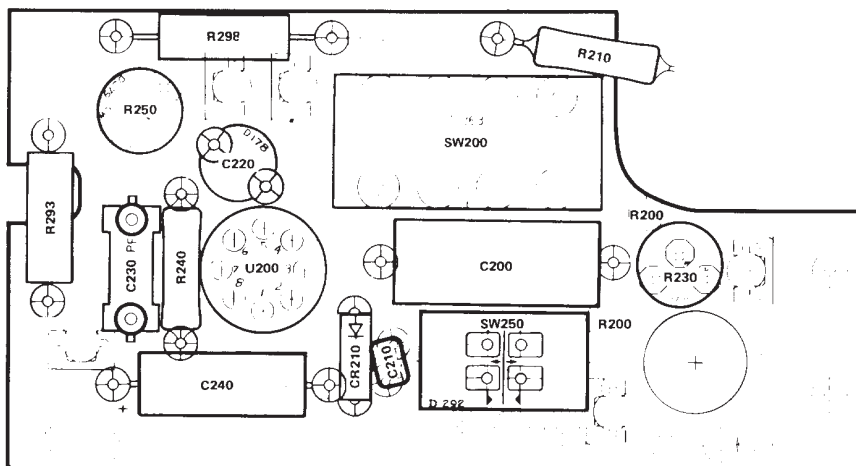
Component Number	Tektronix Part No.	Serial No. Effective	Dscont	Name & Description	Mfr. Code	Mfr. Part No.
Q320	151-0475-00	8514		TRANSISTOR:NPN,SI,MACRO-T	25403	BFR91/02
Q350	151-0341-00			TRANSISTOR,SIG:BIPOLAR,NPN;45V,50MA,40MHZ,AMPLIFIER	04713	MPS6520
R1	321-0807-01			RES,FXD,FILM:900K OHM,0.5%,0.125W,TC=T0	19701	5033RD900K0D
R2	307-0240-00	B010100	B081604	RES,FXD,CMPSN:50 OHM,10%,0.075WPELLET W/PARALLEL LEADS	23223	50A10L
R2	325-5043-00	B081605		RES,FXD,FILM:49.9 OHM,1%,0.062W	56845	CRCW0805-49R9FT
R3	317-0680-00			RES,FXD,CMPSN:68 OHM,5%,0.125W	TK1727	SFR16 2322-180-
R4				(NONREPLACEABLE SUBPART OF 204-0557-00)		
R21	321-0790-01			RES,FXD,FILM:990K OHM,0.5%,0.125W,TC=T0	19701	5033RD990K0D
R22	307-0240-00	B010100	B081604	RES,FXD,CMPSN:50 OHM,10%,0.075WPELLET W/PARALLEL LEADS	23223	50A10L
R22	325-5043-00	B081605		RES,FXD,FILM:49.9 OHM,1%,0.062W	56845	CRCW0805-49R9FT
R23	325-0036-00			RES,FXD,FILM:11.1K OHM,1%,0.05W,TC=T0	64537	PME50 11.1 K 1
R24	317-0430-00	B010100	B083949	RES,FXD,CMPSN:43 OHM,5%,0.125W	TK1727	SFR16 2322-180-
R24	321-5233-00	B083950		RES,FXD,FILM:43.2 OHM,1%,TC=100PPM	56845	CRCW080543R2FT
R25	317-0220-00			RES,FXD,CMPSN:22 OHM,5%,0.125W	TK1727	SFR16 2322-180-
R26				(NONREPLACEABLE SUBPART OF 204-0558-00)		
R120	307-0240-00	B010100	B059999	RES,FXD,CMPSN:50 OHM,10%,0.075WPELLET W/PARALLEL LEADS	23223	50A10L
R120	307-0514-00	B060000		RES,FXD,FILM:27 OHM,1%,0.075WTC=150PPM/DEGC	52262	MCRA270FYZ
R130	325-0121-00			RES,FXD,FILM:90K OHM,0.5%,0.05W,TC=T0	64537	PME50 90 K OHM
R140	317-0106-00			RES,FXD,CMPSN:10M OHM,5%,0.125W	01121	BB1065
R150	317-0202-00	B010100	B076839	RES,FXD,CMPSN:2K OHM,5%,0.125W	TK1727	SFR16 2322-180-
R150	311-2342-00	B076840	B082465	RES,VAR,NONWW:TRMR,1K OHM,25%	51406	RVG4L06A-102VM-
R150	321-5017-00	B076840	B082465	RES,FXD:METAL FILM;825 OHM,1%,0.125W,TC=100	91637	CRCW12068250FT
R150	325-5066-00	B082466	B084162	RES,FXD,FILM:1.3K OHM,1%,0.125W1206 PKG,SMD	56845	CRCW1206-132FT
R150	317-0102-00	B084163		RES,FXD,CMPSN:1K OHM,5%,0.125W	TK1727	SFR16 2322-180-
R160	317-0511-00			RES,FXD,CMPSN:510 OHM,5%,0.125W	TK1727	SFR16 2322-180-
R170	317-0161-00			RES,FXD,CMPSN:160 OHM,5%,0.125W	TK1727	SFR16 2322-180-
R180	317-0301-00			RES,FXD,CMPSN:300 OHM,5%,0.125W	TK1727	SFR16 2322-180-
R185				(SELECTABLE IN RANGE OF 90 OHM TO 3K OHM, 5%,0.25W,FOR BEST RESPONSE IN COMBINATION WITH CABLE ASSEMBLY AND A1 CKT BD)		
R190	307-0240-00	B010100	B076839	RES,FXD,CMPSN:50 OHM,10%,0.075WPELLET W/PARALLEL LEADS	23223	50A10L
R190	325-0045-00	B076840	B082465	RES,FXD,FILM:46.4 OHM,0.5%,0.05W,TC=150PMM	14298	RE 1/8 46.4 OHM
R190	325-5065-00	B082466		RES,FXD,FILM:45.3 OHM,1%,0.125W1206 PKG,SMD	56845	CRCW1206-45R3FT
R200	311-1413-00	B010100	B073445	RES,VAR,NONWW:PNL,5K OHM,0.75W	80009	311141300
R200	311-2247-00	B073446		RES,VAR,NONWW:PNL,5K OHM,20%,0.5W	12697	CM 43464
R210	321-0263-00	B010100	B046190	RES,FXD,FILM:5.36K OHM,1%,0.125W,TC=T0	91637	CMF55116G53600F
R210	315-0512-00	B046191		RES,FXD,FILM:5.1K OHM,5%,0.25W	TK1727	SFR25 2322-181-

P6201 Probe

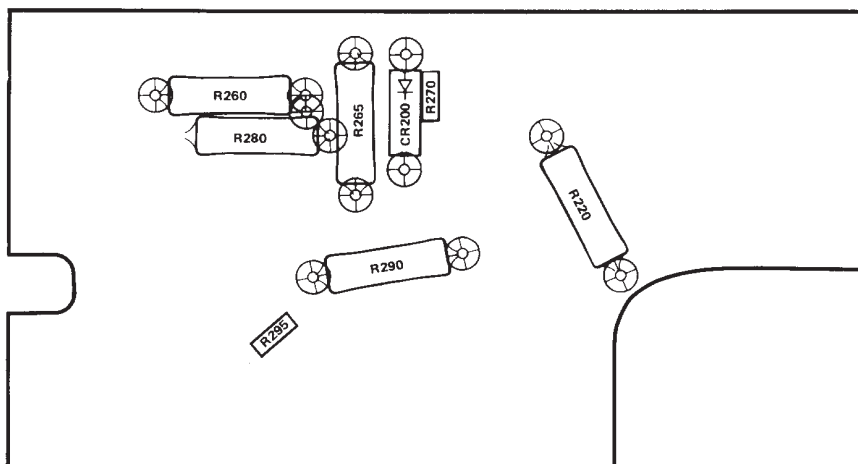
Component Number	Tektronix Part No.	Serial No.		Name & Description	Mfr. Code	Mfr. Part No.
		Effective	Dscont			
R220	321-0388-00	B010100	B046190	RES,FXD,FILM:107K OHM,1%,0.125W,TC=T0	91637	CMF55116G10702F
R220	315-0104-00	B046191		RES,FXD,FILM:100K OHM,5%,0.25W	TK1727	SFR25 2322-181-
R230	311-0634-00	B010100	B046190	RES,VAR,NONWW:TRMR,500 OHM,0.5W	32997	3329H-L58-501
R230	311-1263-00	B046191		RES,VAR,NONWW:1K OHM,10%,0.50W	32997	3329P-L58-102
R240	321-0452-00	B010100	B046191	RES,FXD,FILM:499K OHM,1%,0.125W,TC=T0	91637	CMF55116G49902F
R240	315-0474-00	B046191		RES,FXD,FILM:470K OHM,5%,0.25W	TK1727	SFR25 2322-181-
R250	311-1271-00			RES,VAR,NONWW:TRMR,50K OHM,0.5W	32997	3329P-L58-503
R260	321-0151-00			RES,FXD,FILM:365 OHM,1%,0.125W,TC=T0	91637	CMF55116G365R0F
R265	321-0978-01			RES,FXD,FILM:11.02K OHM,0.1%,0.125W,T=T2	19701	5033RD11K02D
R270	317-0514-00			RES,FXD,CMPSN:510K OHM,5%,0.125W	01121	BB5145
R280	321-0293-03			RES,FXD,FILM:11.0K OHM,0.25%,0.125W,TC=T2	19701	5033RC11K00C
R290	321-0381-03			RES,FXD:METAL FILM;90.5K OHM,0.25%,0.125W,TC=50 PPM	19701	5033RC90K90C
R293	308-0714-00			RES,FXD,WW:46.4 OHM,1%,1W	91637	RS1A-B46R40F
R295	325-0121-00			RES,FXD,FILM:90K OHM,0.5%,0.05W,TC=T0	64537	PME50 90 K OHM
R298	308-0715-00			RES,FXD,WW:78 OHM,1%	91637	RS-1A-90 78R00F
R300	321-0223-00	B010100	B046190	RES,FXD,FILM:2.05K OHM,1%,0.125W,TC=T0	91637	CMF55116G20500F
R300	315-0182-00	B046191		RES,FXD,FILM:1.8K OHM,5%,0.25W	TK1727	SFR25 2322-181-
R305				(SELECTABLE IN RANGE OF 15 OHM TO 30 OHM, 5%,0.125W, FOR BEST RESPONSE IN COMBINATION WITH Q300,Q320 AND U200)		
R305	317-0300-00	B076840		RES,FXD,CMPSN:30 OHM,5%,0.125W	TK1727	SFR16 2322-180-
R310	317-0102-00	B010100	B029999	RES,FXD,CMPSN:1K OHM,5%,0.125W	TK1727	SFR16 2322-180-
R310	317-0911-00	B030000	B076839	RES,FXD,CMPSN:910 OHM,5%,0.125W	TK1727	SFR16 2322-180-
R310	321-0193-00	B076840		RES,FXD,FILM:1K OHM,1%,0.125W,TC=T0	91637	CMF55116G10000F
R325	322-0126-00			RES,FXD,FILM:200 OHM,1%,0.25W,TC=T0	91637	CMF6042G200R0F
R330	317-0300-00	B010100	B029999	RES,FXD,CMPSN:30 OHM,5%,0.125W	TK1727	SFR16 2322-180-
R330	311-1260-00	B076840		RES,VAR,NONWW:TRMR,250 OHM,0.5W	32997	3329P-L58-251
R335	317-0270-00			RES,FXD,CMPSN:27 OHM,5%,0.125W	TK1727	SFR16 2322-180-
R340	321-0080-00			RES,FXD,FILM:66.5 OHM,1%,0.125W,TC=T0	91637	CMF55116G66R50F
R345	322-0126-00			RES,FXD,FILM:200 OHM,1%,0.25W,TC=T0	91637	CMF6042G200R0F
R350	315-0102-00			RES,FXD,FILM:1K OHM,5%,0.25W	TK1727	SFR25 2322-181-
R355	317-0151-00			RES,FXD,CMPSN:150 OHM,5%,0.125W	01121	BB1515 OR RC05G
R365	325-0051-00	B010100	B046190	RES,FXD,FILM:18.2 OHM,1%,0.5W,TC=T0 AXIAL LEADS	19701	5023RD18R2OF
R365	317-0220-00	B046191	B076839	RES,FXD,CMPSN:22 OHM,5%,0.125W	TK1727	SFR16 2322-180-
R365	321-5004-00	B076840		RES,FXD:METAL FILM;22.1 OHM,1%,0.125W,TC=100 PPM	91637	CRCW120622R1FT
R368	317-0102-00			RES,FXD,CMPSN:1K OHM,5%,0.125W	TK1727	SFR16 2322-180-
R370	311-0978-00			RES,VAR,NONWW:TRMR,250 OHM,0.5W	73138	82PR250-37C
R375	317-0201-00	B010100	B050863	RES,FXD,CMPSN:200 OHM,5%,0.125W (NOMINAL VALUE,SELECTED)	TK1727	SFR16 2322-180-

P6201 Probe

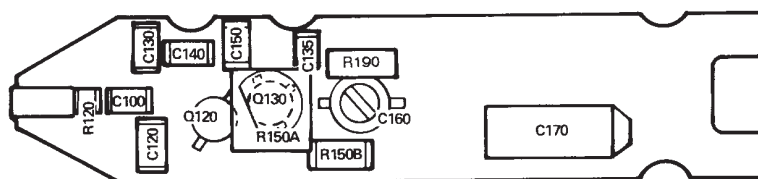
Component Number	Tektronix Part No.	Serial No.		Name & Description	Mfr. Code	Mfr. Part No.
		Effective	Dscont			
R375	317-0121-00	B050864	B084162	RES,FXD,CMPSN:120 OHM,5%,0.125W (SELECTABLE FROM RANGE OF 130-200 OHM)	TK1727	SFR16 2322-180-
R375	317-0151-00	B084163		RES,FXD,CMPSN:150 OHM,5%,0.125W	01121	BB1515 OR RC05G
R380	322-0119-00			RES,FXD,FILM:169 OHM,1%,0.25W,TC=T0	91637	CMF6042G169R0F
R390	322-0119-00			RES,FXD,FILM:169 OHM,1%,0.25W,TC=T0	91637	CMF6042G169R0F
R393	311-0622-01			RES,VAR,NONWW:TRMR,100 OHM,0.5W	32997	3329H-K28-101
R395	317-0272-00			RES,FXD,CMPSN:2.7K OHM,5%,0.125W	01121	BB2725
R397	317-0101-00			RES,FXD,CMPSN:100 OHM,5%,0.125W	TK1727	SFR16 2322-180-
R398	325-0053-00			RES,FXD,FILM:50 OHM,1%,0.05W,TC=T0 AXIAL LEADS	91637	CMF50-F50R00F
R399	317-0151-00			RES,FXD,CMPSN:150 OHM,5%,0.125W	01121	BB1515 OR RC05G
RT360	307-0343-00			RES,THERMAL:200 OHM,10%	91637	C140
S200	260-0984-00			SWITCH,SLIDE:DPTT,0.5A,125V	79727	G-128-S-0012
S250	260-0960-01			SWITCH,SLIDE:FORM Z,0.5A,120VDC,BLACK BTTN	04426	23-021-043
S300	260-0960-01			SWITCH,SLIDE:FORM Z,0.5A,120VDC,BLACK BTTN	04426	23-021-043
U200	156-0223-00			IC,LINEAR:BIPOLAR,OP-AMP;LOW INPUT BIAS CURRENT,UNCOMPENSATED	27014	LM308H



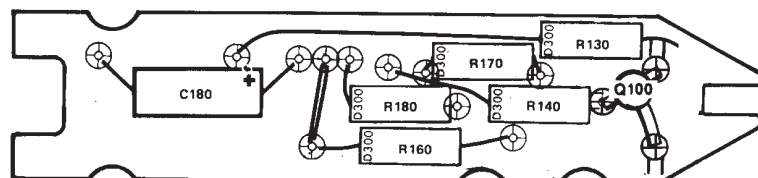
LOW FREQUENCY (FRONT)



LOW FREQUENCY (BACK)

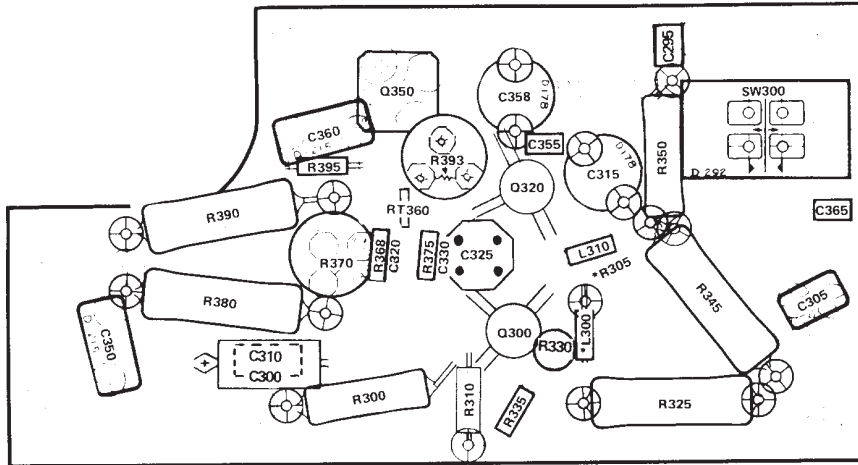


PROBE-FET (FRONT)

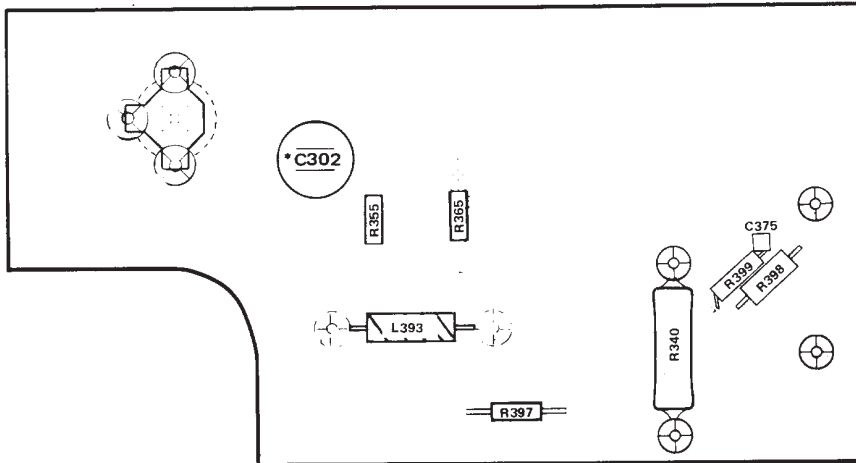


PROBE-FET (BACK)

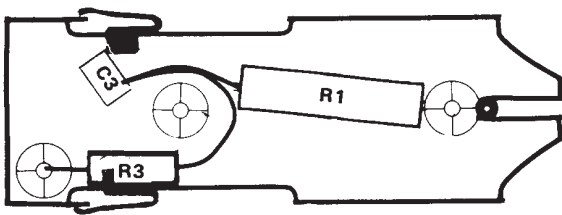
*See Parts List for serial number ranges.



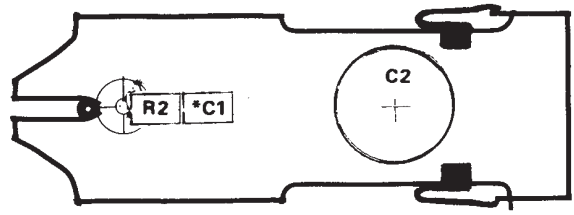
HIGH FREQUENCY OUTPUT (FRONT)



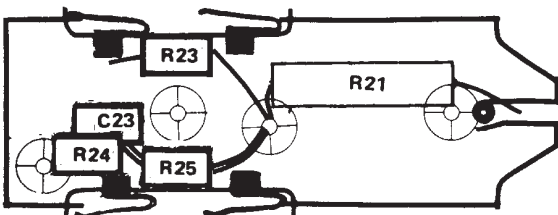
HIGH FREQUENCY OUTPUT (BACK)



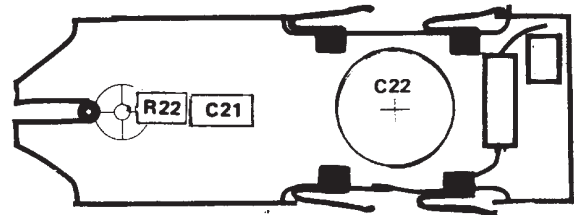
X10 ATTEN (FRONT)



X10 ATTEN (BACK)

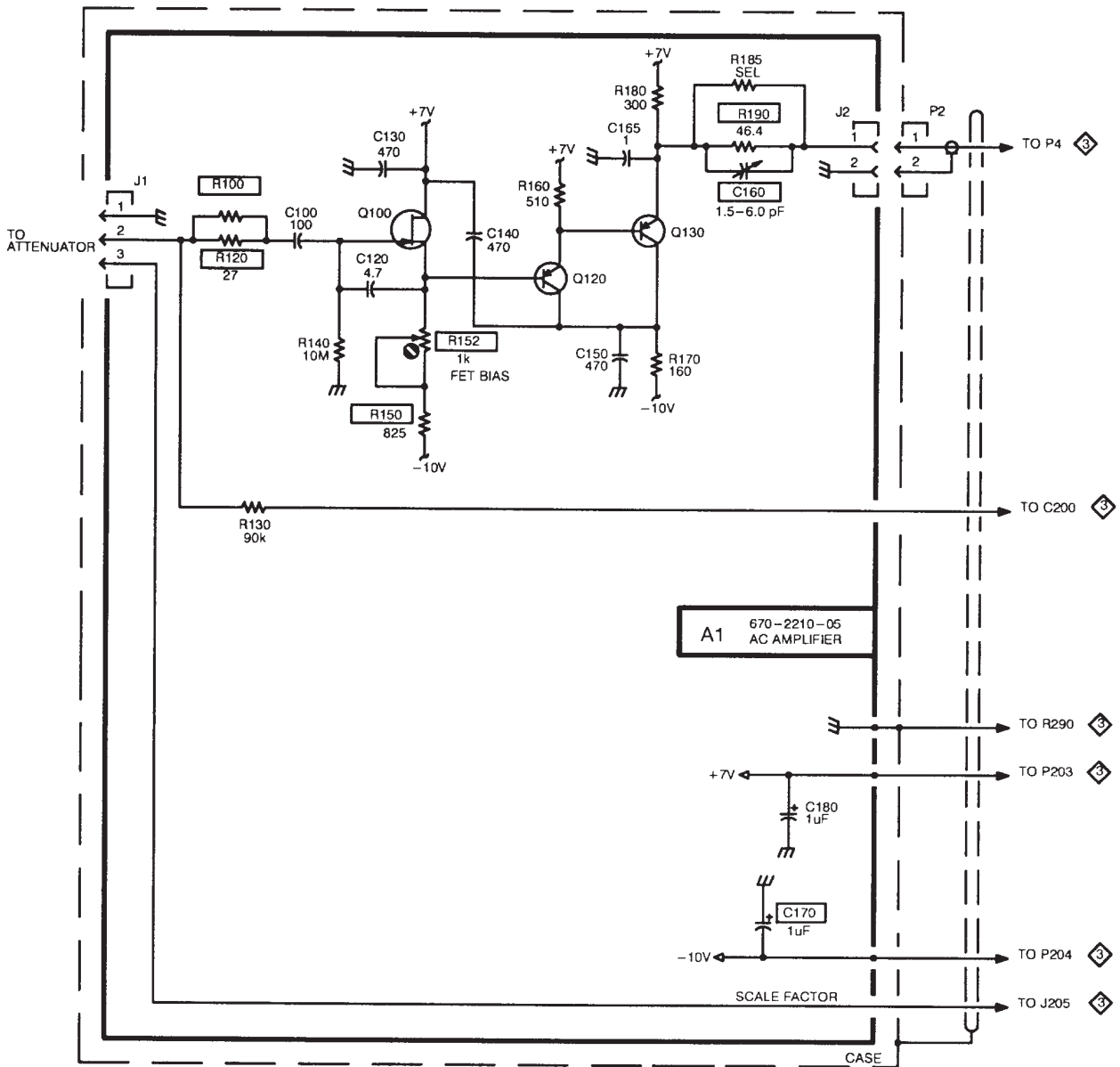


X100 ATTEN (FRONT)

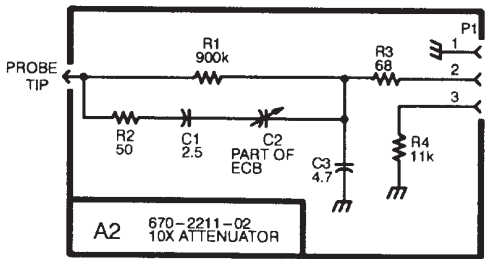


X100 ATTEN (BACK)

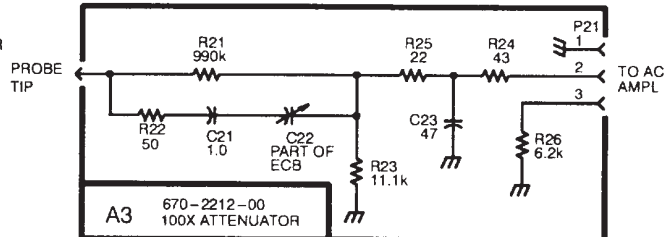
*See Parts List for serial number ranges.



A1 670-2210-05
AC AMPLIFIER



A2 670-2211-02
10X ATTENUATOR



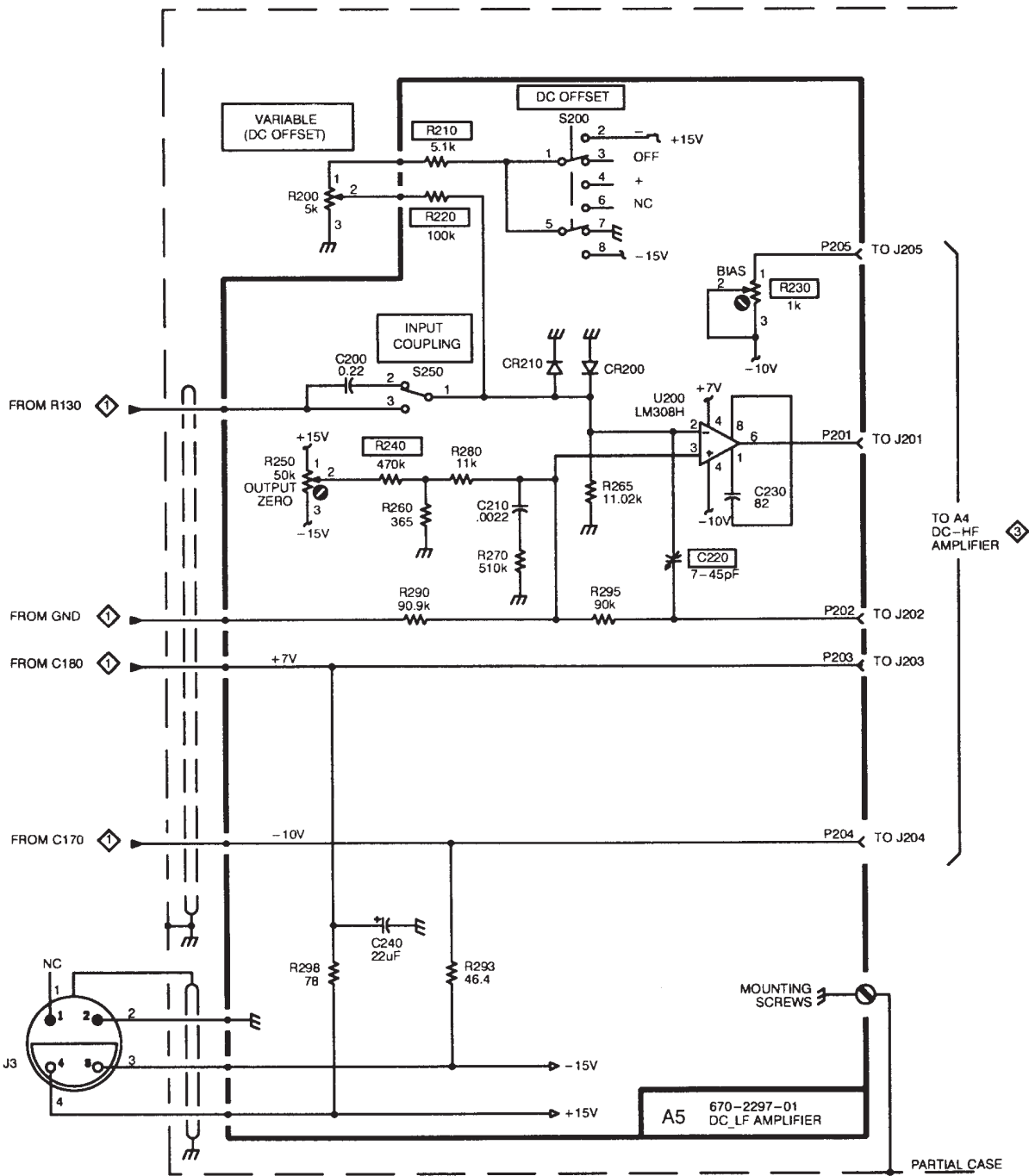
A3 670-2212-00
100X ATTENUATOR

P6201

ATTENUATORS, & AC AMPLIFIERS



P6201 Probe

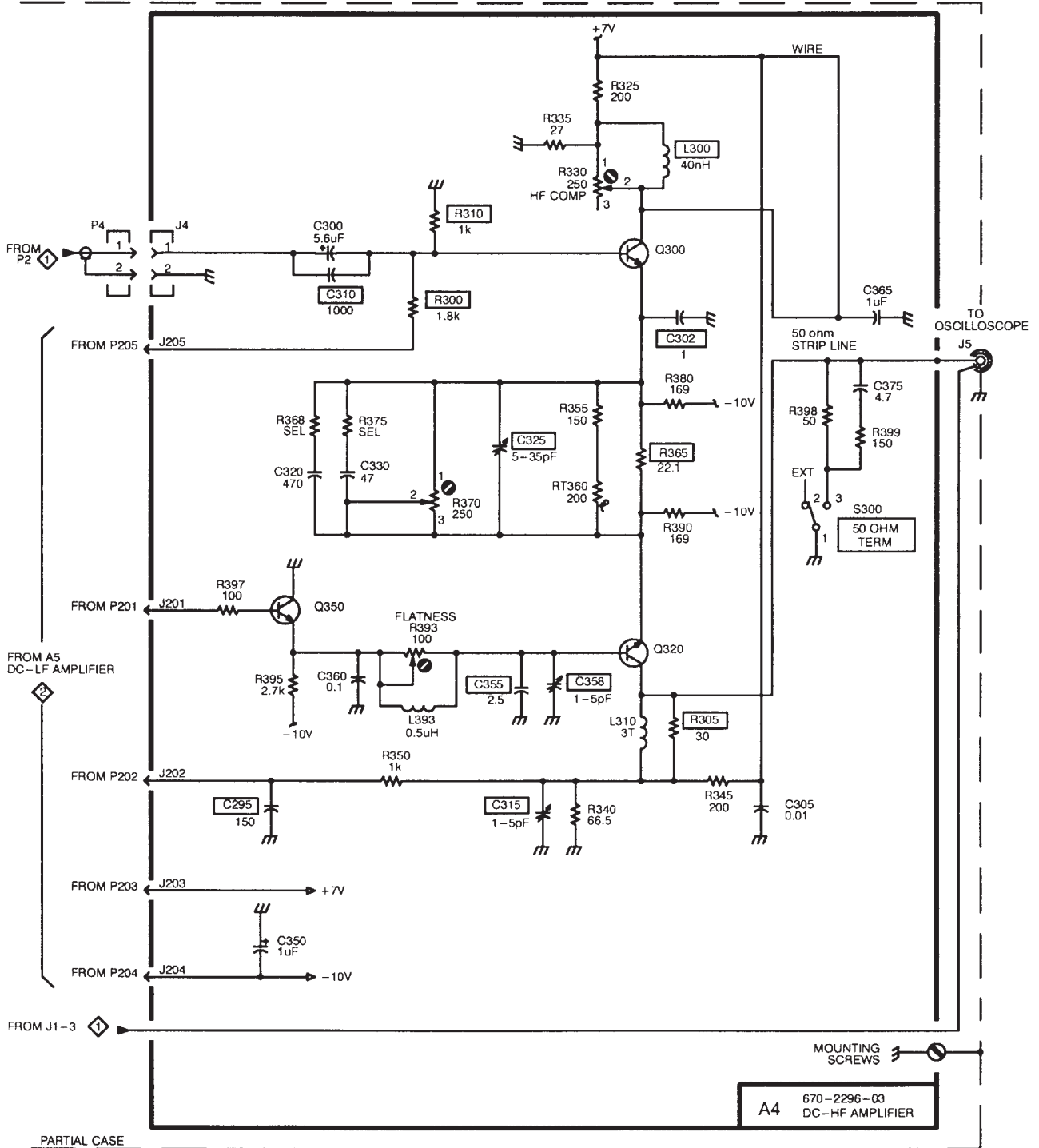


P6201

DC-LF AMPLIFIERS

A5





P6201

DC-HF AMPLIFIER

A4

3