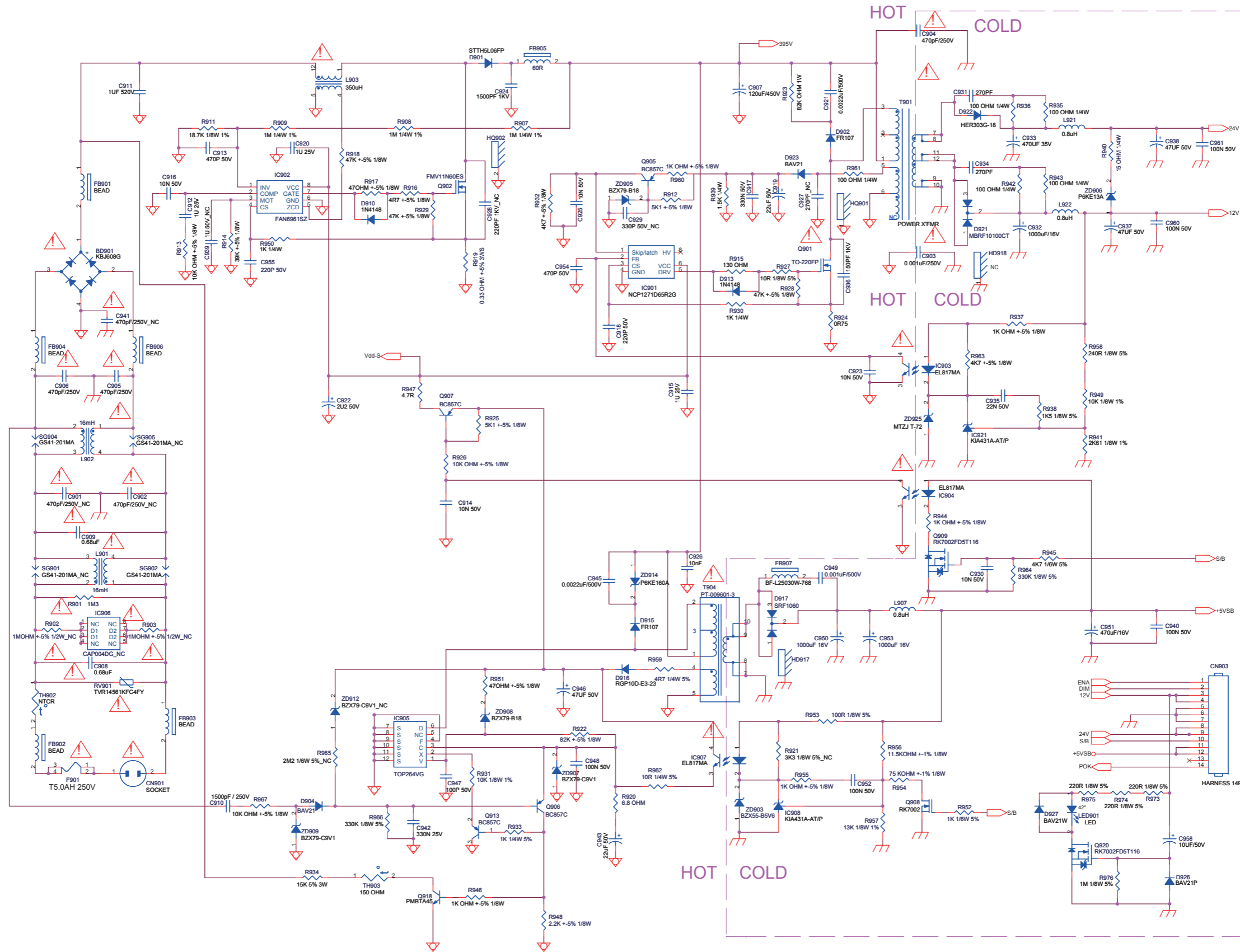


10-2 A01 715G4546 PSU 37", 42" and 47"
Power

A01

Power

A01



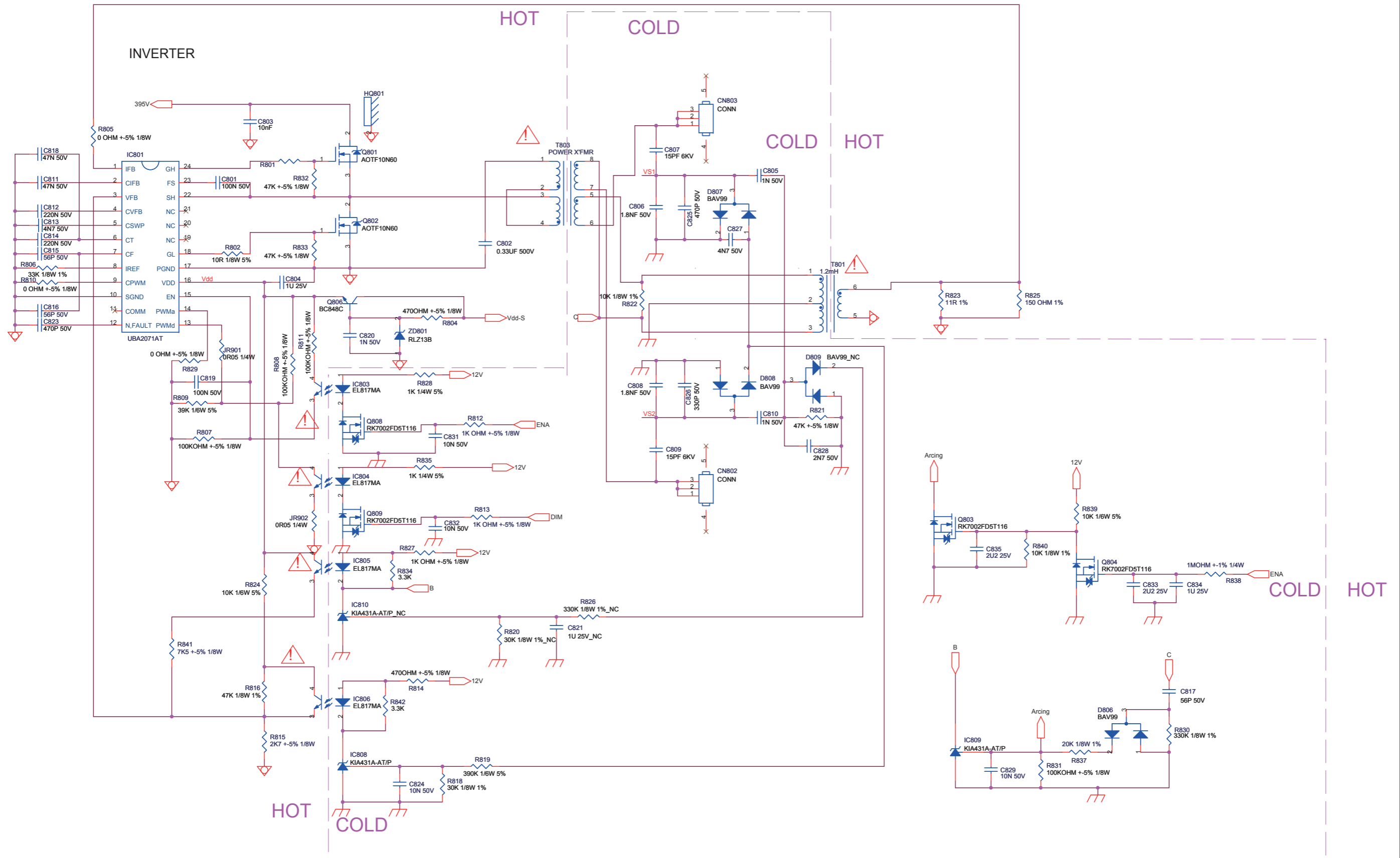
Power	715G4546	A	2011-04-12

Inverter

A02

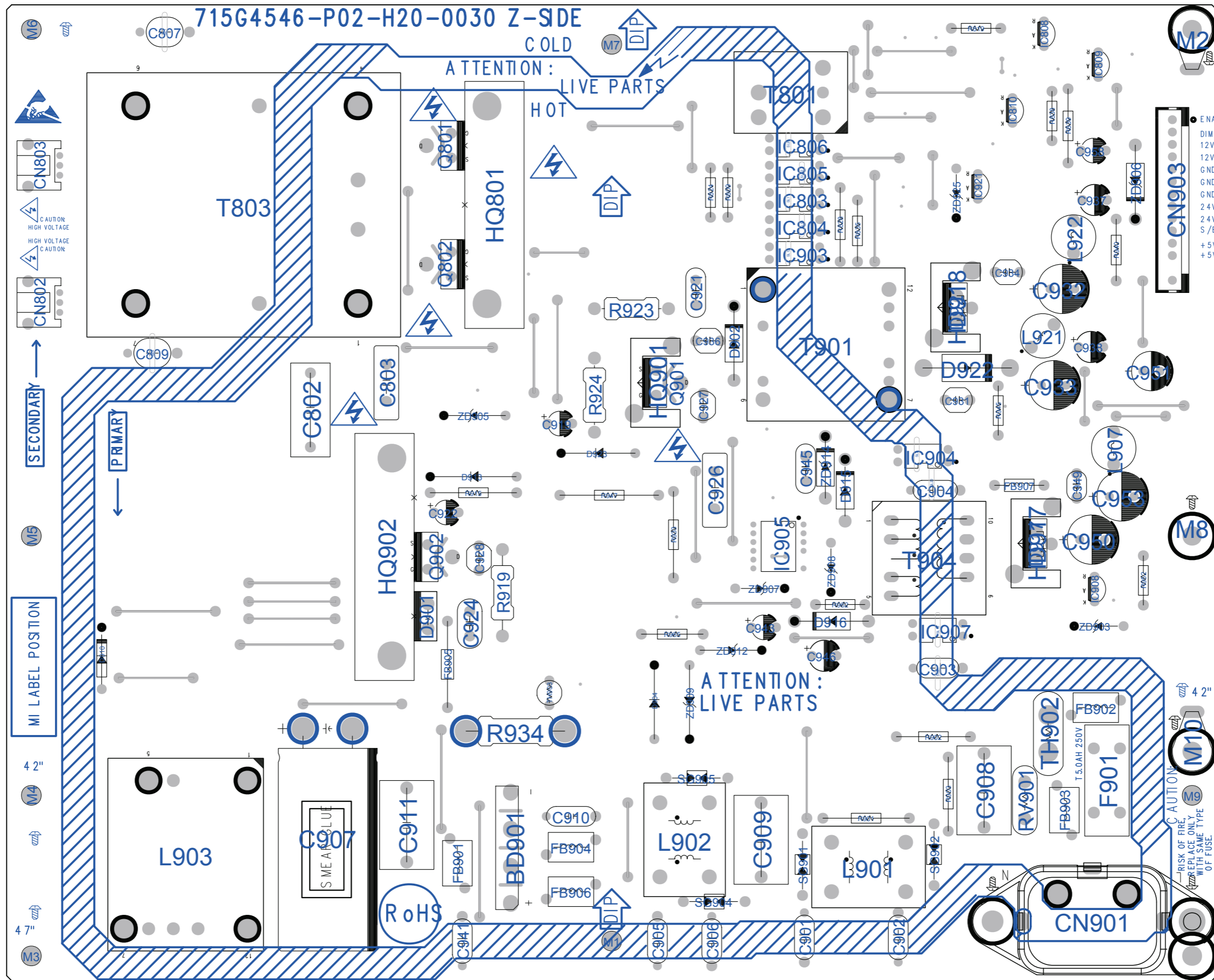
Inverter

A02



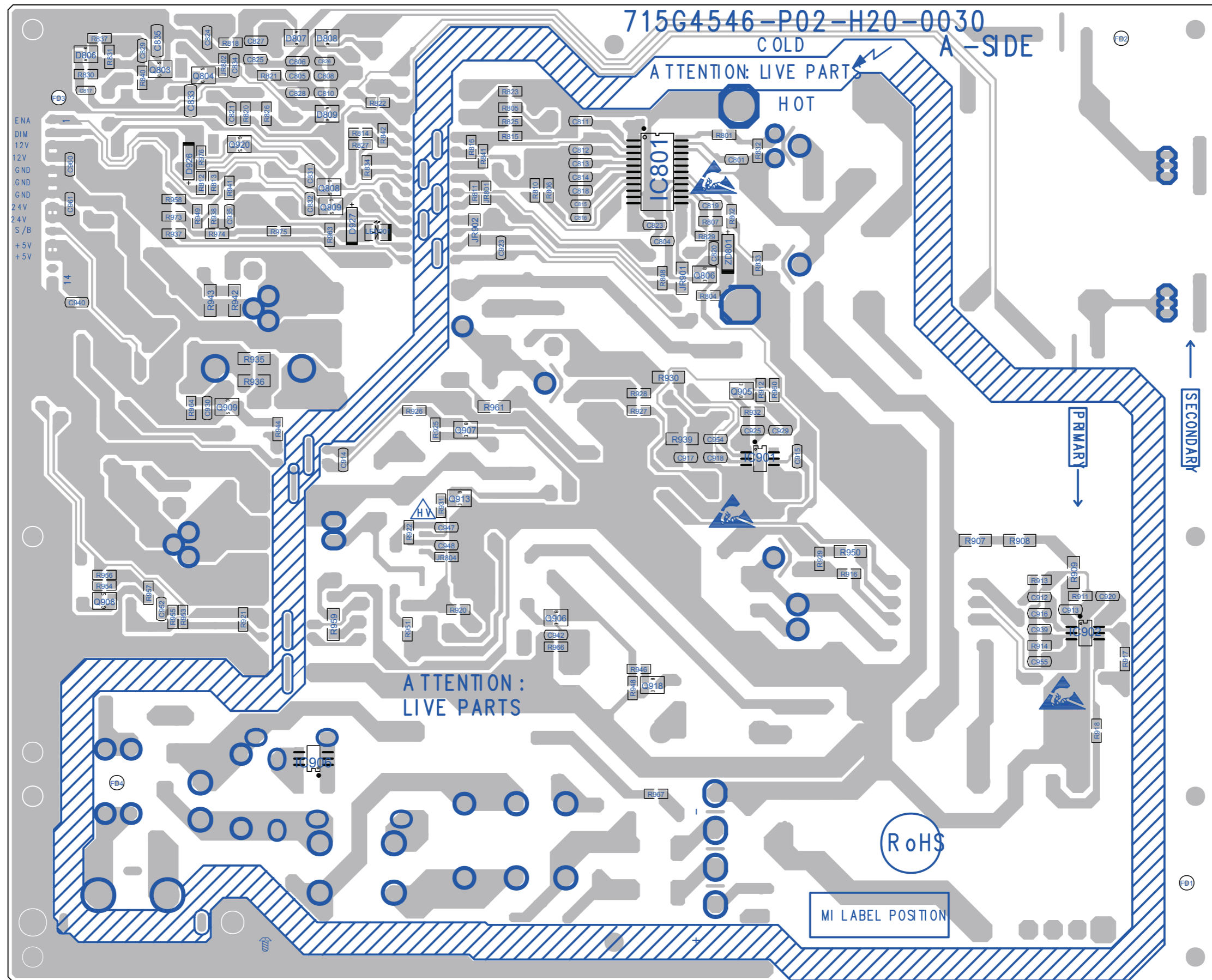
Inverter	715G4546	A	2011.04.12

Power layout top



Power layout top	715G4546
------------------	----------

Power layout bottom



Power layout bottom	715G4546	A	2011.04.12