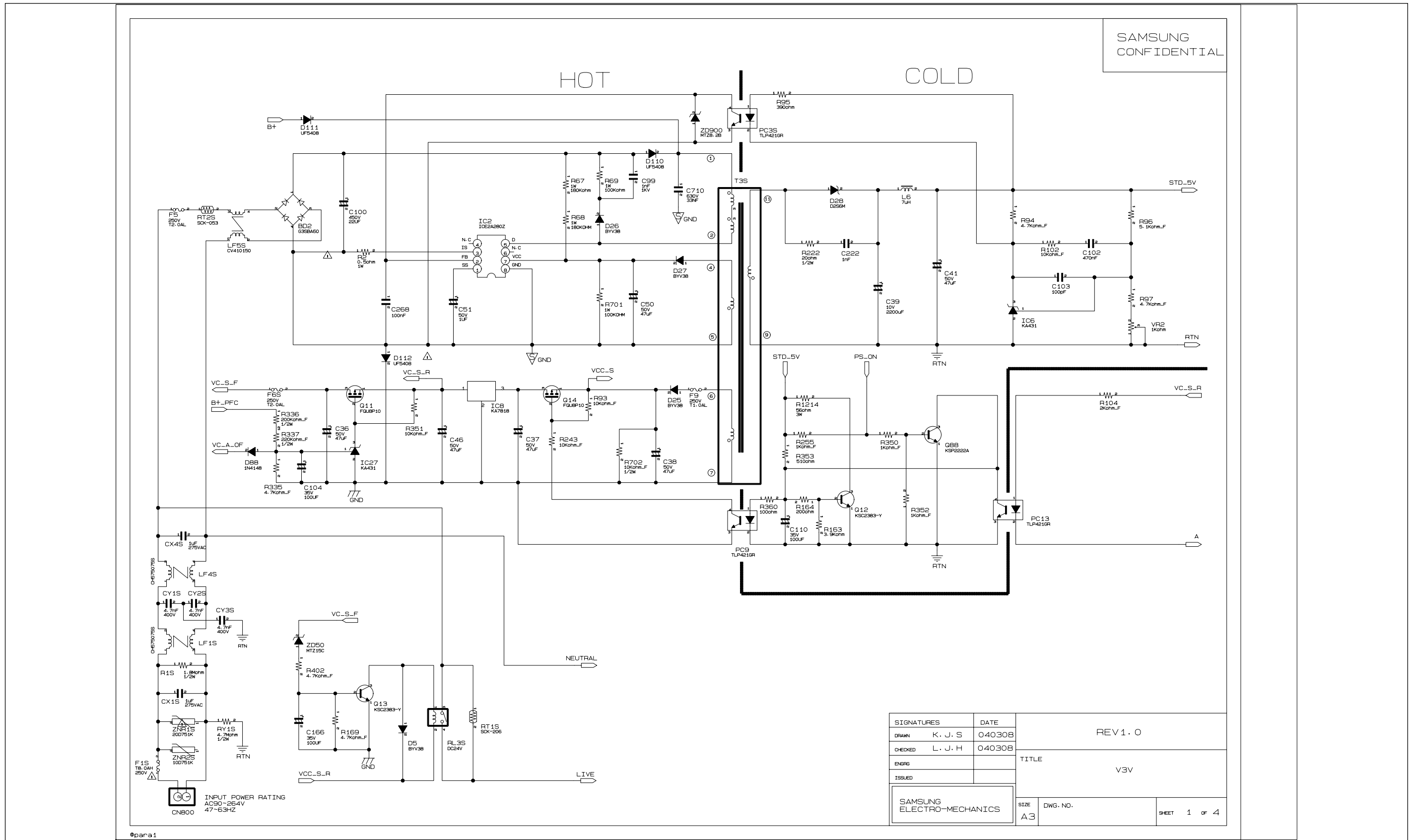
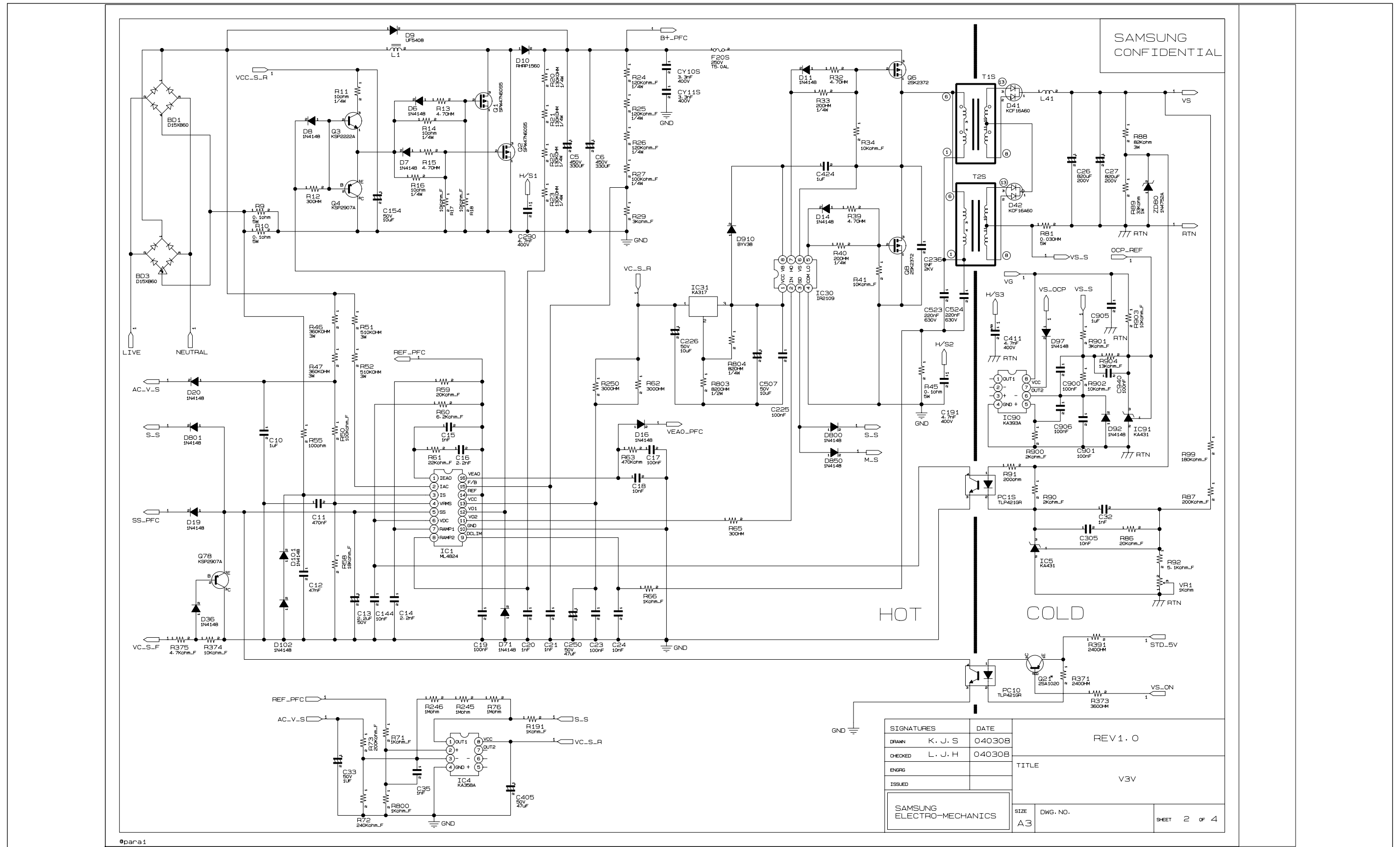


5-6 SMPS 1

This Document can not be used without Samsung's authorization.

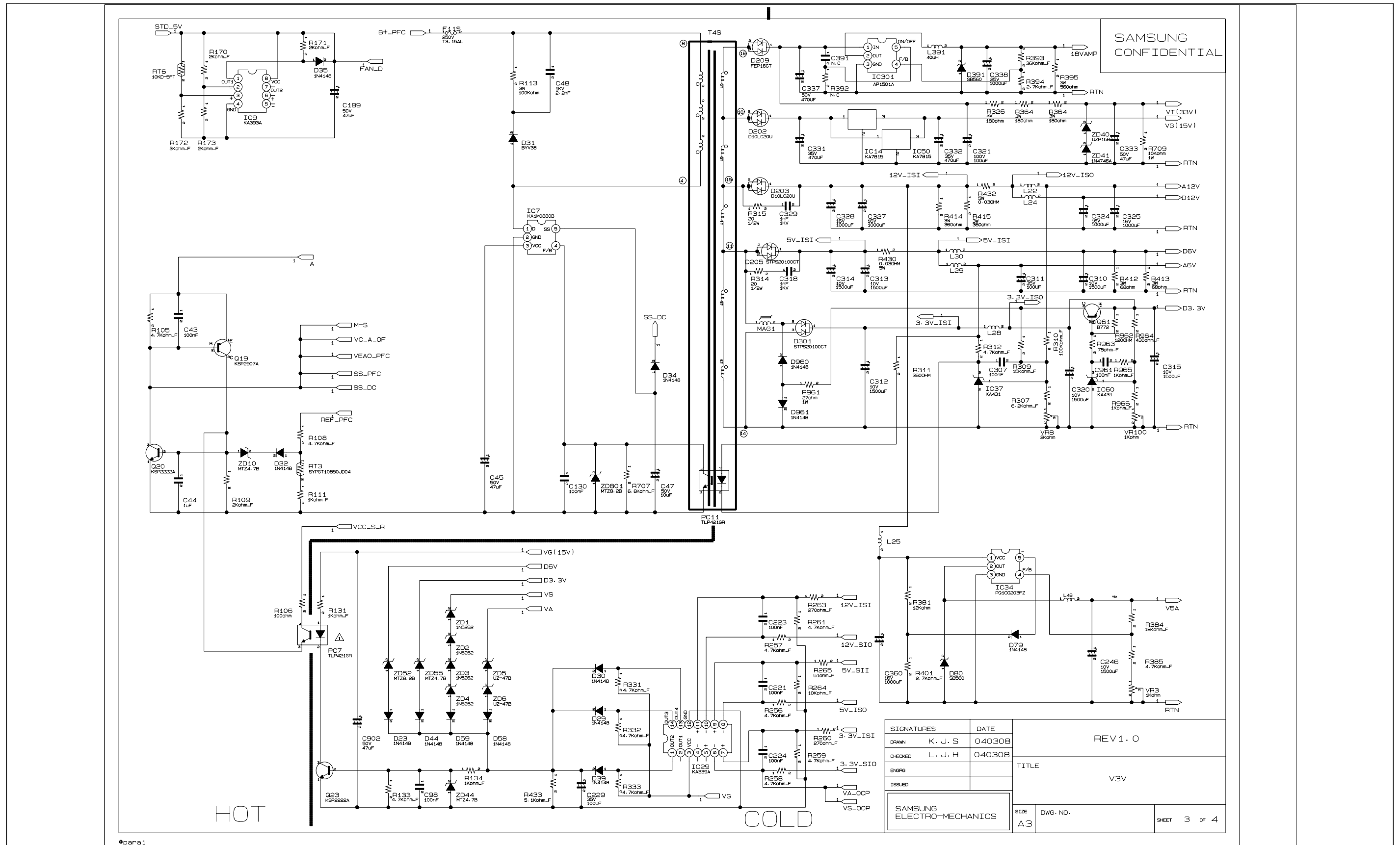


5-7 SMPS 2



SIGNATURES	DATE	REV 1.0
DRAWN K. J. S	040308	
CHECKED L. J. H	040308	TITLE
ENGRG		
ISSUED		SIZE DWG. NO.
SAMSUNG ELECTRO-MECHANICS		
		SHEET 2 OF 4

5-8 SMPS 3



5-9 SMPS 4

