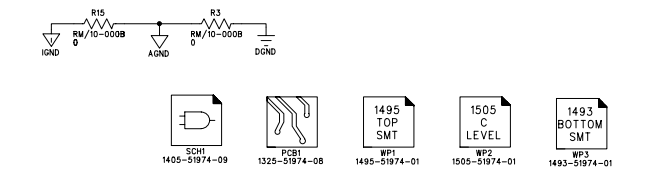


STATUS:		DRAWING REVISION RECORD			
REV	ECO#	DESCRIPTION	DATE	REV BY	
<input type="checkbox"/>	DEVELOPMENT				
<input checked="" type="checkbox"/>	PRODUCTION				
1	AZ####	INITIAL RELEASE	DD-MMM-YY	F M L	
1	AZ####	INITIAL RELEASE	DD-MMM-YY	F M L	
1	AZ####	INITIAL RELEASE	DD-MMM-YY	F M L	
08-A		DVT 3 CHANGES (DELETE "R115","E1-E19" NOT USED	08-FEB-06	D H	
08-A		ADD "R123,"R149", "C157" NOT USED, CREATED -08 PCB)			
08-A	AZ7819	INITIAL RELEASE	01-MAR-06	D H	
09-A	AZ7921	CHANGE "R56" WAS: RM/10-1002B IS: RM/10-1001B	28-MAR-06	D H	

### Star Ground Point



- [5] (E1-E19) ARE NOT INSTALLED, PINS 1 to 4 and 2 to 3 ARE TIED TOGETHER ON PCB.
- MAXIMUM OUTPUT TEST CONDITIONS:
  - TESTPOINTS MEASURED WITH RESPECT TO GROUND WITH A DVM +/- 20%.
  - ALL CAPS IN FARADS 20% TOLERANCE.
  - ALL RESISTORS IN OHMS 1% TOLERANCE.
- NOTES (UNLESS OTHERWISE SPECIFIED):

UNLESS OTHERWISE SPECIFIED:  
 DIMENSIONS ARE IN INCHES.  
 TOLERANCES ARE:  
 X.XX +/- X.XX  
 X.XXX +/- X.XXX  
 ANGLES +/- 1°  
 CONCENTRICITY +/- X.XX  
 SURFACE FINISH

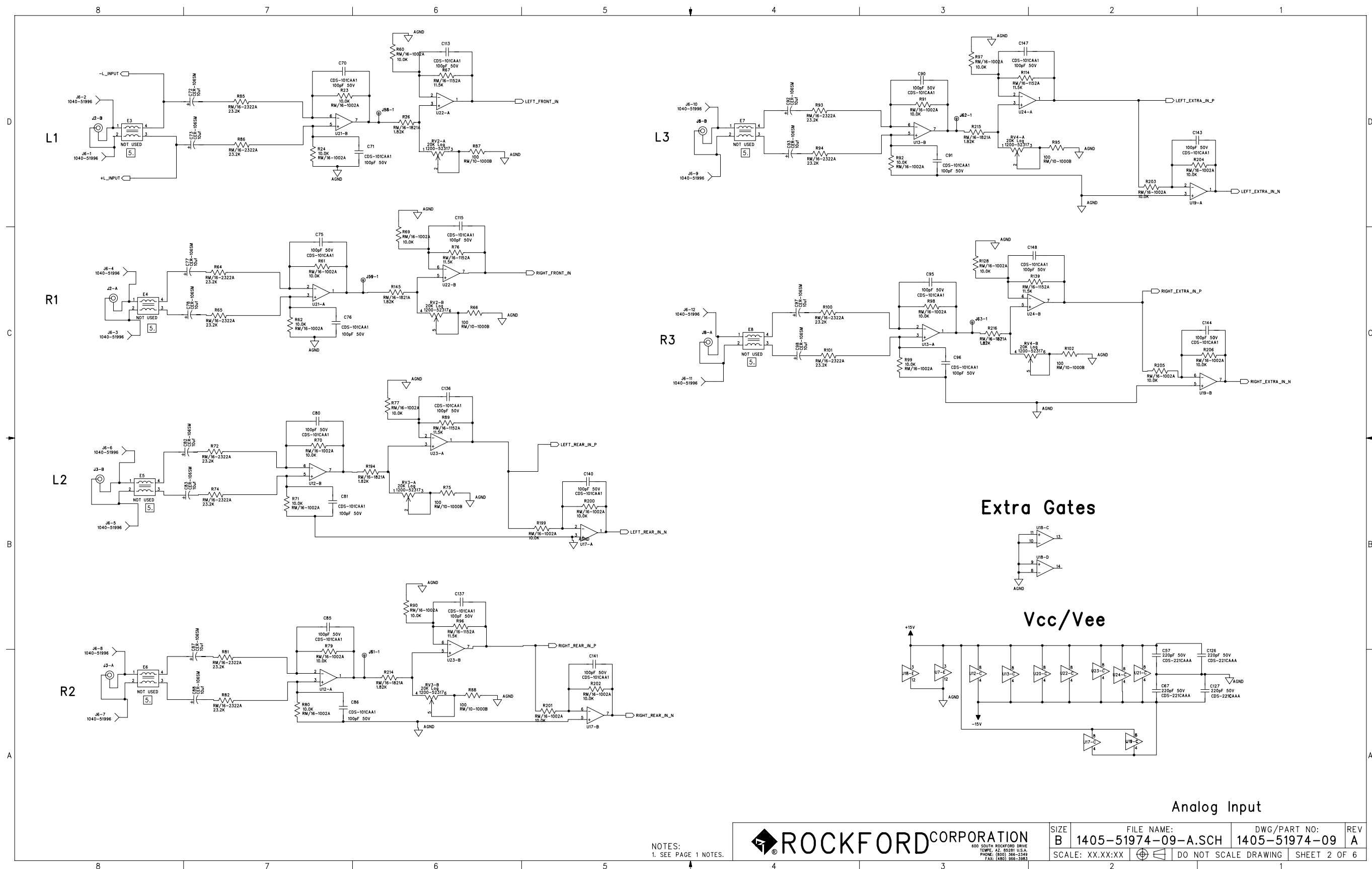
SIGNATURES	DATE
DRAWN BY Anthony D'Amore	12-JUL-05
ELEC ENGR T. Janke	08-NOV-05
MECH ENGR	
PROD ENGR	
SUPPLY CHAIN	

**ROCKFORD CORPORATION**  
 400 SOUTH ROCKFORD DRIVE  
 TEMPE, AZ 85281 U.S.A.  
 PHONE: (602) 366-2349  
 FAX: (602) 366-3882

DRAWING TITLE:  
**3Sixty  
 POWER SUPPLY**

SIZE <b>B</b>	FILE NAME: <b>1405-51974-09-A.SCH</b>	DWG/PART NO: <b>1405-51974-09</b>	REV <b>A</b>
------------------	--	--------------------------------------	-----------------

SCALE: XX.XX:XX    DO NOT SCALE DRAWING    SHEET 1 OF 6

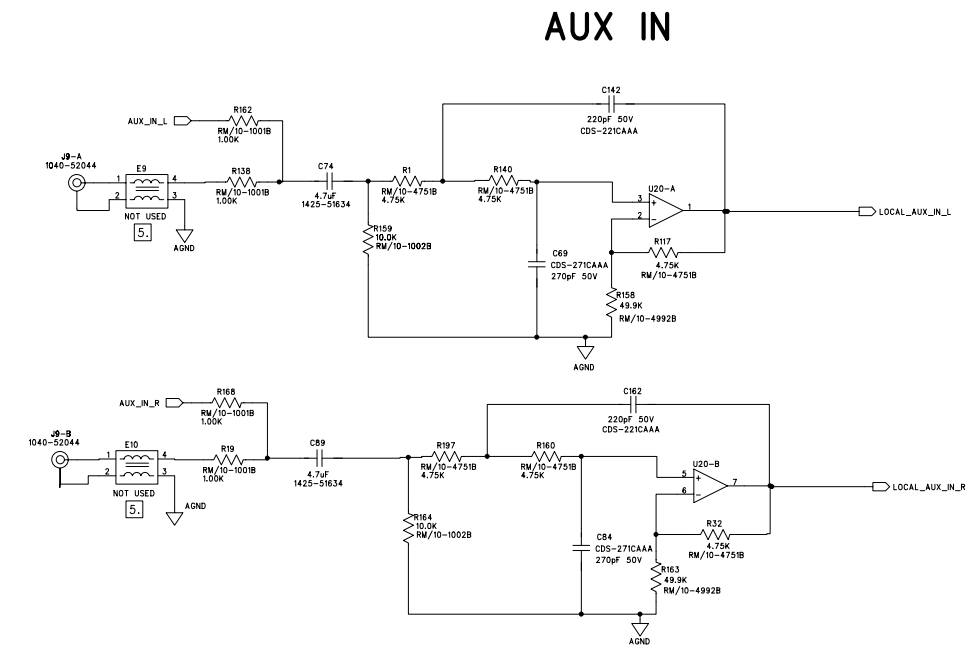
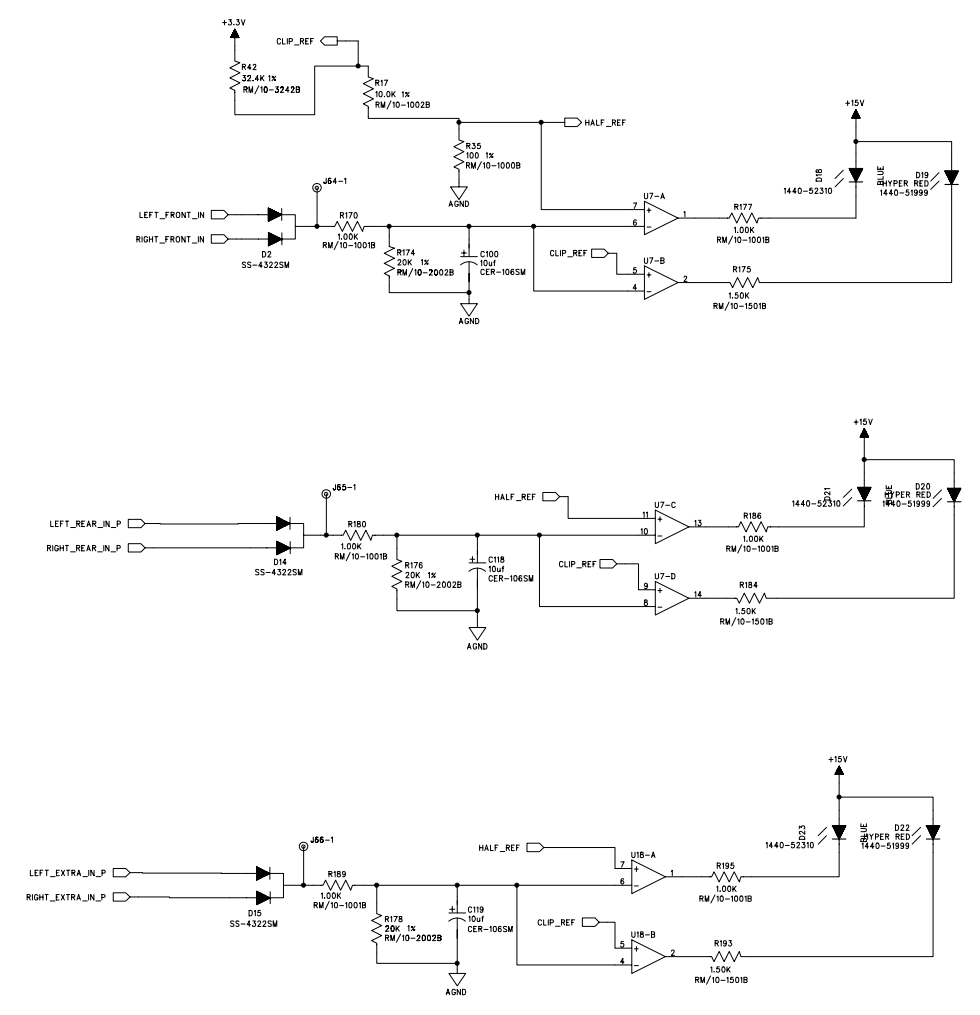


NOTES:  
1. SEE PAGE 1 NOTES.



600 SOUTH ROCKFORD DRIVE  
TULSA, OK 74103 U.S.A.  
PHONE: (800) 346-2349  
FAX: (405) 946-3883

SIZE B	FILE NAME: 1405-51974-09-A.SCH	DWG/PART NO: 1405-51974-09	REV A
SCALE: XX.XX:XX	DO NOT SCALE DRAWING		SHEET 2 OF 6



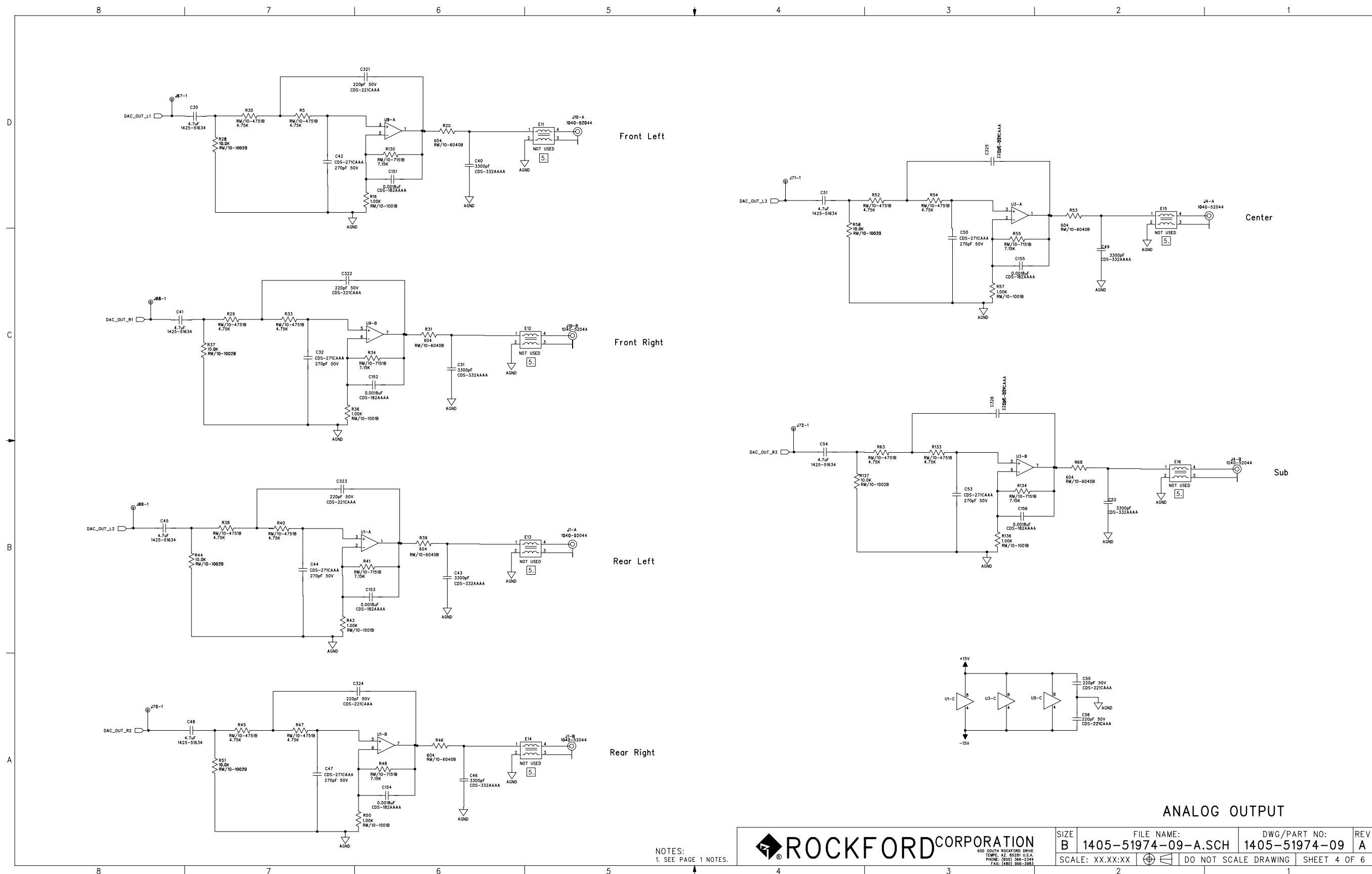
AUX IN

Signal and Clip Indicators

NOTES:  
1. SEE PAGE 1 NOTES.

**ROCKFORD CORPORATION**  
 600 SOUTH ROCKFORD DRIVE  
 TORRE, IL 60111 U.S.A.  
 PHONE: (800) 366-2349  
 FAX: (815) 396-3883

SIZE <b>B</b>	FILE NAME: <b>1405-51974-09-A.SCH</b>	DWG/PART NO: <b>1405-51974-09</b>	REV <b>A</b>
SCALE: XX:XX:XX		DO NOT SCALE DRAWING	
			SHEET 3 OF 6



Front Left

Front Right

Rear Left

Rear Right

Center

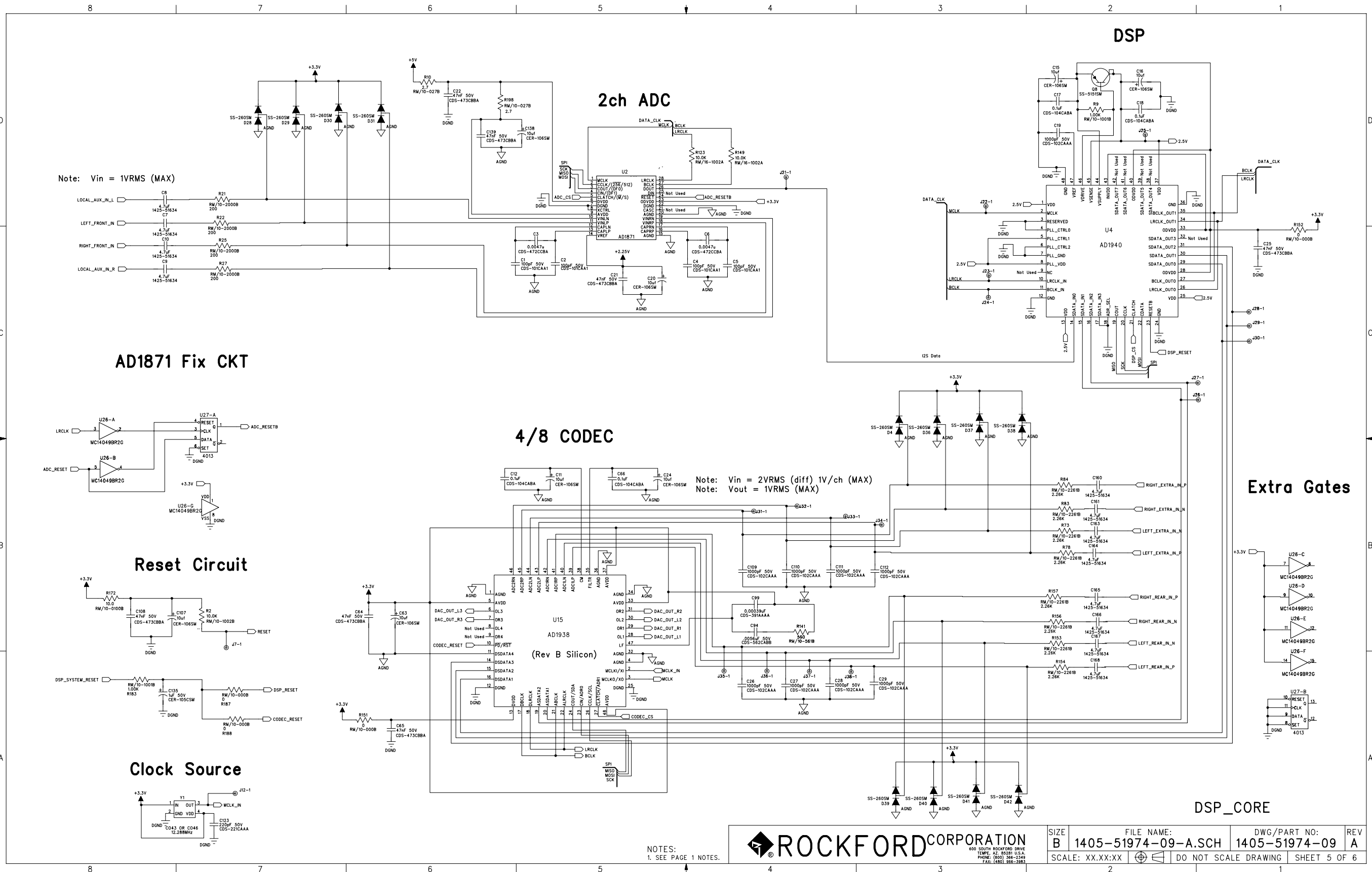
Sub

ANALOG OUTPUT

NOTES:  
1. SEE PAGE 1 NOTES.

**ROCKFORD CORPORATION**  
 600 SOUTH ROCKFORD DRIVE  
 TURE, IL 60181 U.S.A.  
 PHONE: (800) 346-2349  
 FAX: (480) 396-3883

SIZE <b>B</b>	FILE NAME: 1405-51974-09-A.SCH	DWG/PART NO: 1405-51974-09	REV <b>A</b>
SCALE: XX.XX:XX	DO NOT SCALE DRAWING		SHEET 4 OF 6



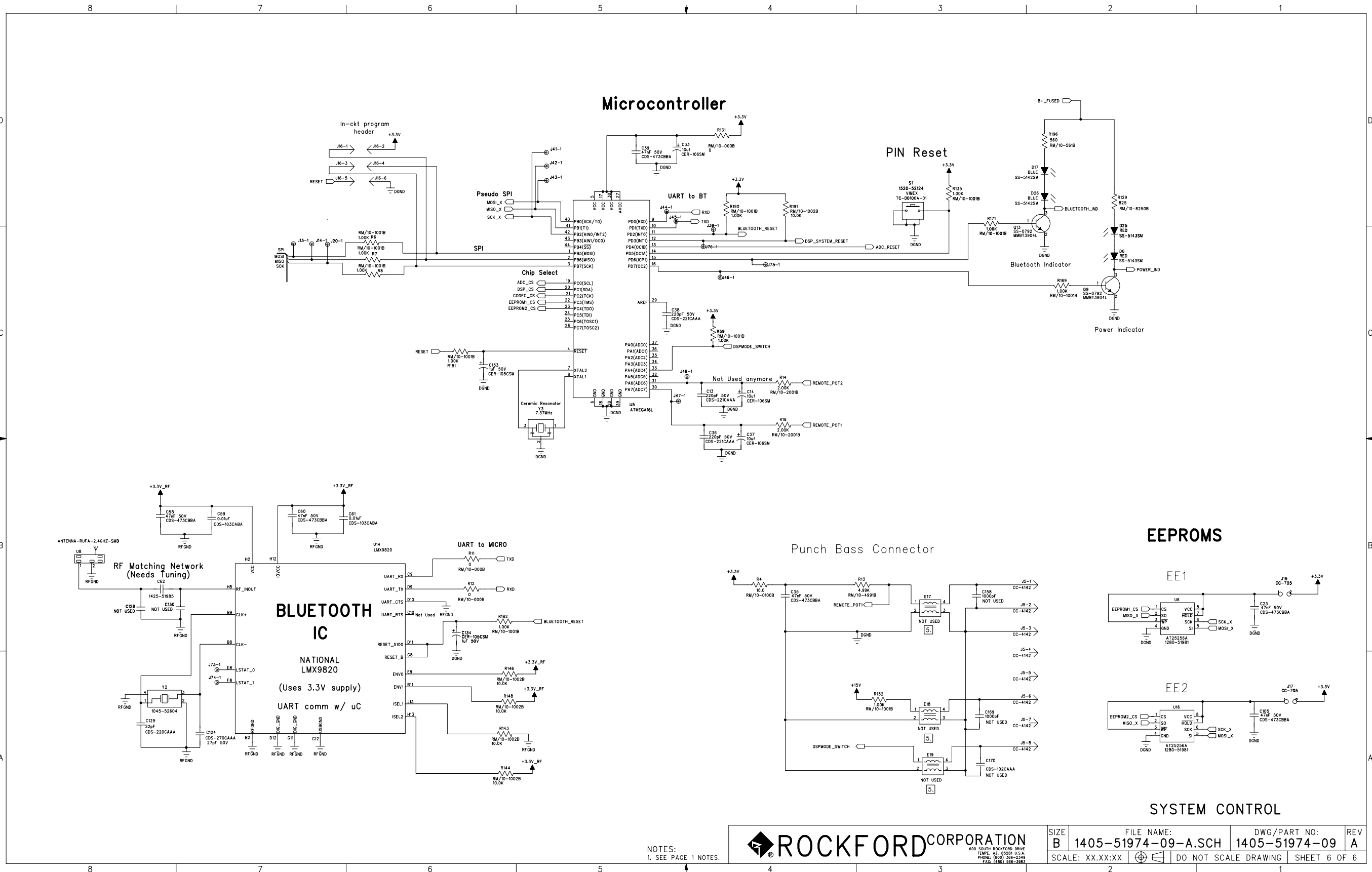
Note:  $V_{in} = 1V_{RMS} (MAX)$

Note:  $V_{in} = 2V_{RMS} (diff) 1V/ch (MAX)$   
 Note:  $V_{out} = 1V_{RMS} (MAX)$

NOTES:  
1. SEE PAGE 1 NOTES.



SIZE <b>B</b>	FILE NAME: 1405-51974-09-A.SCH	DWG/PART NO: 1405-51974-09	REV <b>A</b>
SCALE: XX.XX:XX	DO NOT SCALE DRAWING		SHEET 5 OF 6



**Microcontroller**

**PIN Reset**

**EEPROMS**

**SYSTEM CONTROL**

NOTES:  
1. SEE PAGE 1 NOTES.



SIZE <b>B</b>	FILE NAME: 1405-51974-09-A.SCH	DWG/PART NO: 1405-51974-09	REV <b>A</b>
SCALE: XX.XX:XX		DO NOT SCALE DRAWING	
		SHEET 6 OF 6	