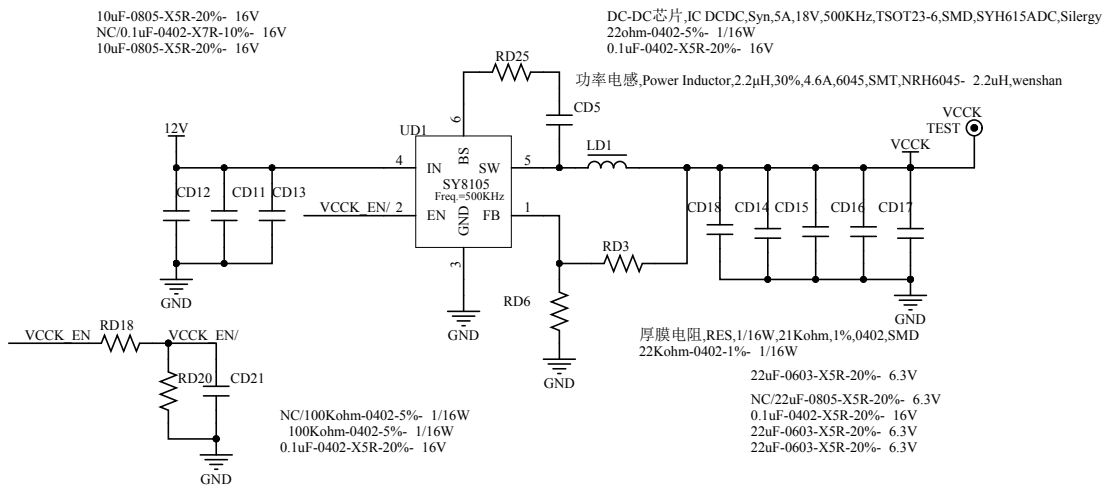


10uF-0805-XSR-20%- 16V
NC/10uF-1206-XSR-10%- 16V
0.1uF-0402-XSR-20%- 16V
100Kohm-0402-5%- 1/16W
NC/1Mohm-0402-5%- 1/16W

0ohm-0402-5%- 1/16W
0.1uF-0402-XSR-20%- 16V
NC/SWPA6045S4R7MT

厚膜电阻,RES,1/16W,330Kohm,1%,0402,SMD
60K4ohm-0402-1%- 1/16W
0ohm-0402-5%- 1/16W

22uF-0603-XSR-20%- 6.3V
0.1uF-0402-XSR-20%- 16V
NC/10uF-0402-NPO-5%- 50V

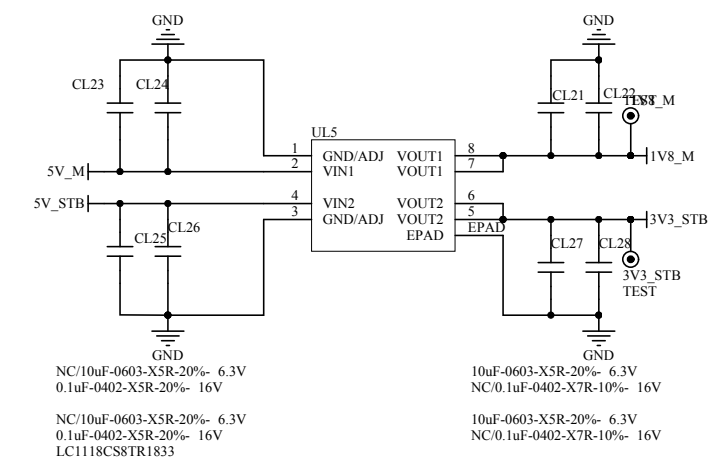


10uF-0805-XSR-20%- 16V
NC/0.1uF-0402-X7R-10%- 16V
10uF-0805-XSR-20%- 16V

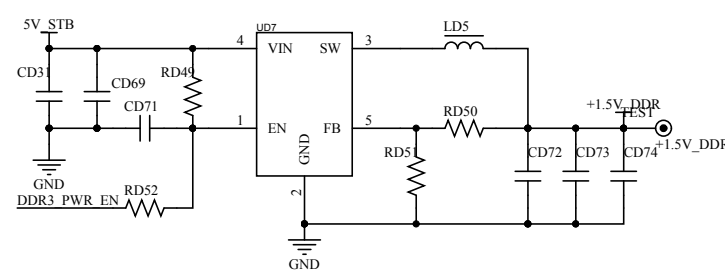
厚膜电阻,RES,1/16W,21Kohm,1%,0402,SMD
22Kohm-0402-1%- 1/16W

22uF-0603-XSR-20%- 6.3V
NC/22uF-0805-XSR-20%- 6.3V
0.1uF-0402-XSR-20%- 16V
22uF-0603-XSR-20%- 6.3V
22uF-0603-XSR-20%- 6.3V

NC/100Kohm-0402-5%- 1/16W
100Kohm-0402-5%- 1/16W
0.1uF-0402-XSR-20%- 16V



10uF-0603-XSR-20%- 6.3V
NC/0.1uF-0402-X7R-10%- 16V
10uF-0603-XSR-20%- 6.3V
NC/0.1uF-0402-X7R-10%- 16V

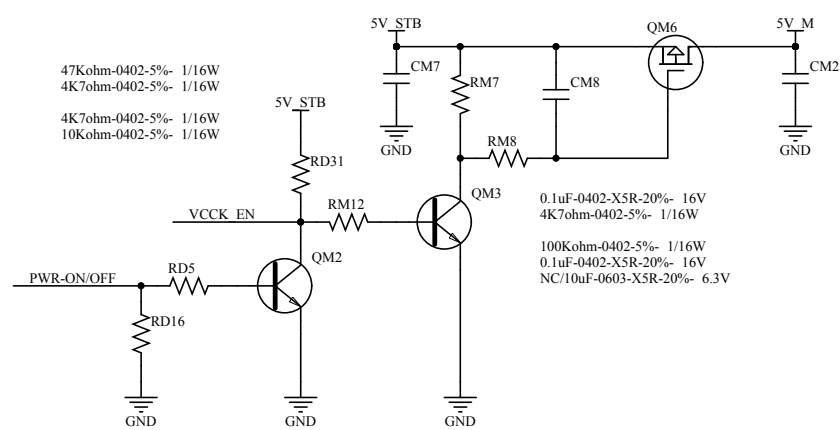


NC/0.1uF-0402-XSR-20%- 16V
10uF-0603-XSR-20%- 6.3V
100Kohm-0402-5%- 1/16W

0.1uF-0402-XSR-20%- 16V
NC/22ohm-0402-5%- 1/16W

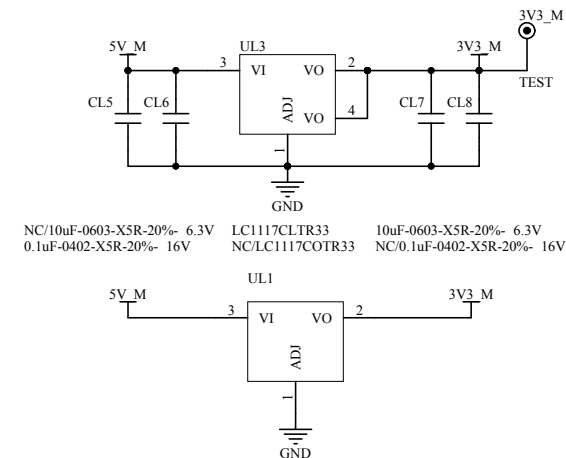
62Kohm-0402-1%- 1/16W
40K2ohm-0402-1%- 1/16W

0.1uF-0402-XSR-20%- 16V
10uF-0603-XSR-20%- 6.3V
10uF-0603-XSR-20%- 6.3V

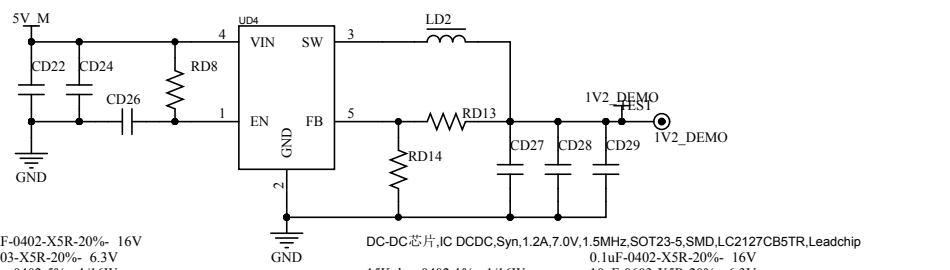


47Kohm-0402-5%- 1/16W
4K7ohm-0402-5%- 1/16W
4K7ohm-0402-5%- 1/16W
10Kohm-0402-5%- 1/16W

0.1uF-0402-XSR-20%- 16V
4K7ohm-0402-5%- 1/16W
100Kohm-0402-5%- 1/16W
0.1uF-0402-XSR-20%- 16V
NC/10uF-0603-XSR-20%- 6.3V



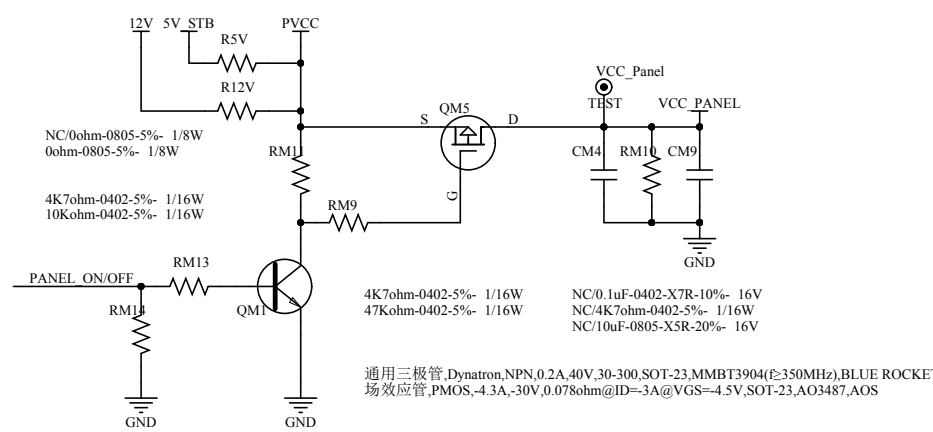
NC/10uF-0603-XSR-20%- 6.3V
0.1uF-0402-XSR-20%- 16V
NC/10uF-0603-XSR-20%- 6.3V
0.1uF-0402-XSR-20%- 16V



NC/0.1uF-0402-XSR-20%- 16V
10uF-0603-XSR-20%- 6.3V
100Kohm-0402-5%- 1/16W
NC/0.1uF-0402-X7R-10%- 16V

15Kohm-0402-1%- 1/16W
15Kohm-0402-1%- 1/16W

0.1uF-0402-XSR-20%- 16V
10uF-0603-XSR-20%- 6.3V
10uF-0603-XSR-20%- 6.3V

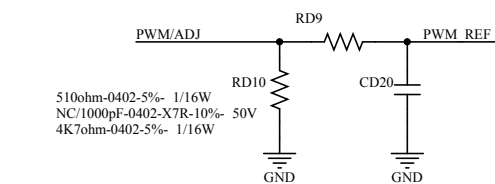


NC/0ohm-0805-5%- 1/8W
0ohm-0805-5%- 1/8W

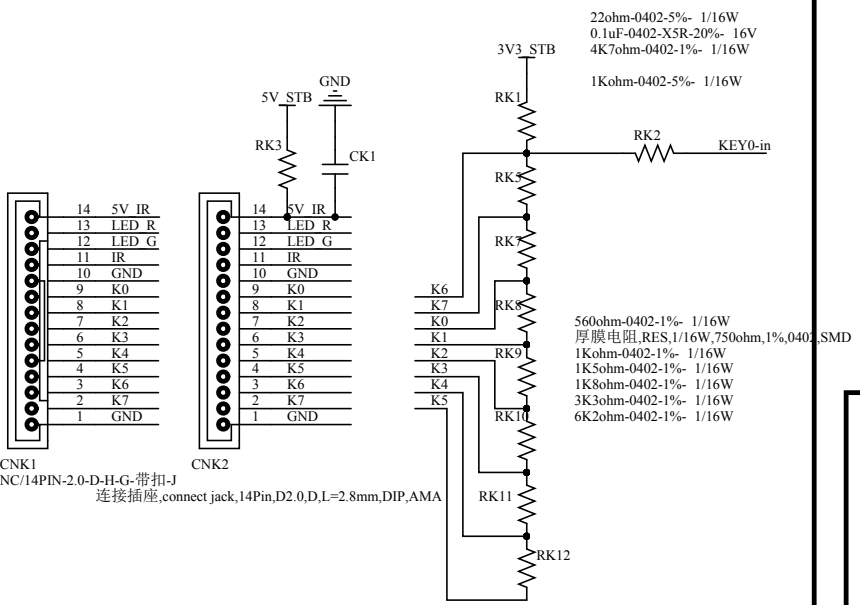
4K7ohm-0402-5%- 1/16W
10Kohm-0402-5%- 1/16W

4K7ohm-0402-5%- 1/16W
47Kohm-0402-5%- 1/16W

NC/0.1uF-0402-X7R-10%- 16V
NC/4K7ohm-0402-5%- 1/16W
NC/10uF-0805-XSR-20%- 16V



510ohm-0402-5%- 1/16W
NC/1000pF-0402-X7R-10%- 50V
4K7ohm-0402-5%- 1/16W

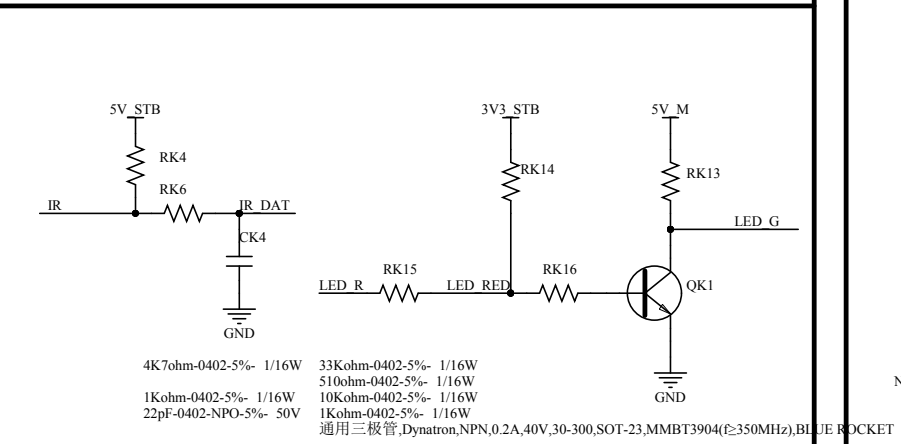


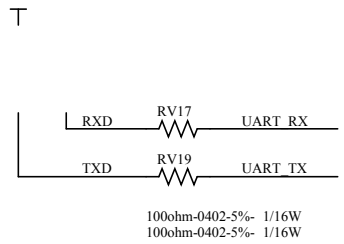
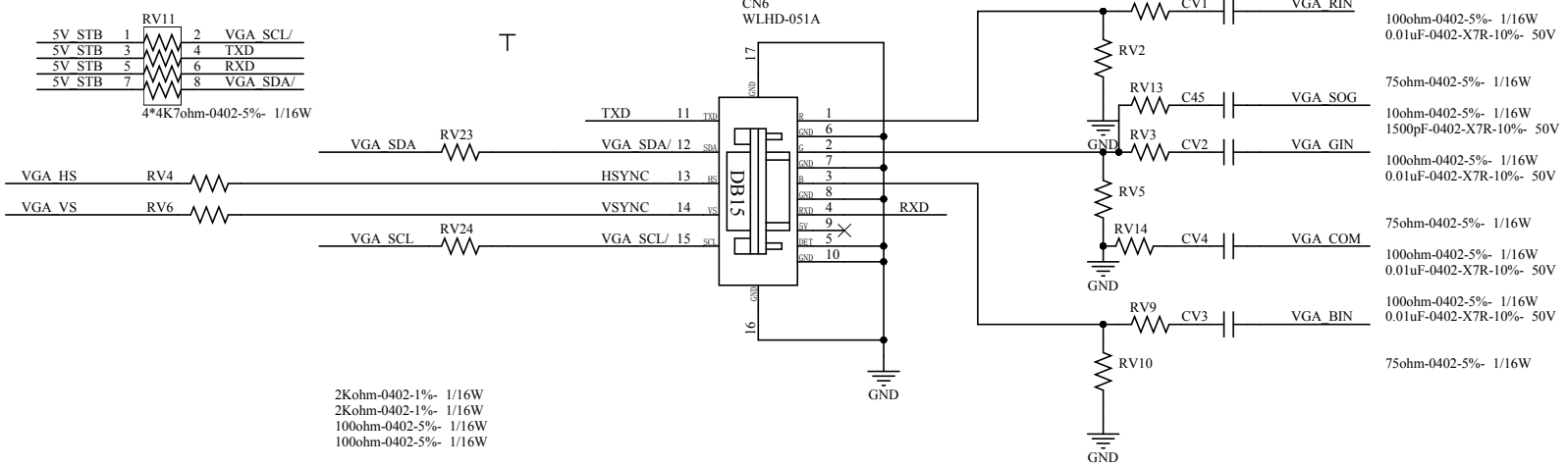
VCC Panel	1	2	VCC Panel
VCC Panel	3	4	GND
GND	5		
RX00 N	7	8	RX00 P
RX01 N	9	10	RX01 P
RX02 N	11	12	RX02 P
GND	13	14	GND
RX0C N	15	16	RX0C P
RX03 N	17	18	RX03 P
RXE0 N	19	20	RXE0 P
RXE1 N	21	22	RXE1 P
RXE2 N	23	24	RXE2 P
GND	25	26	GND
RXEC N	27	28	RXEC P
RXE3 N	29	30	RXE3 P

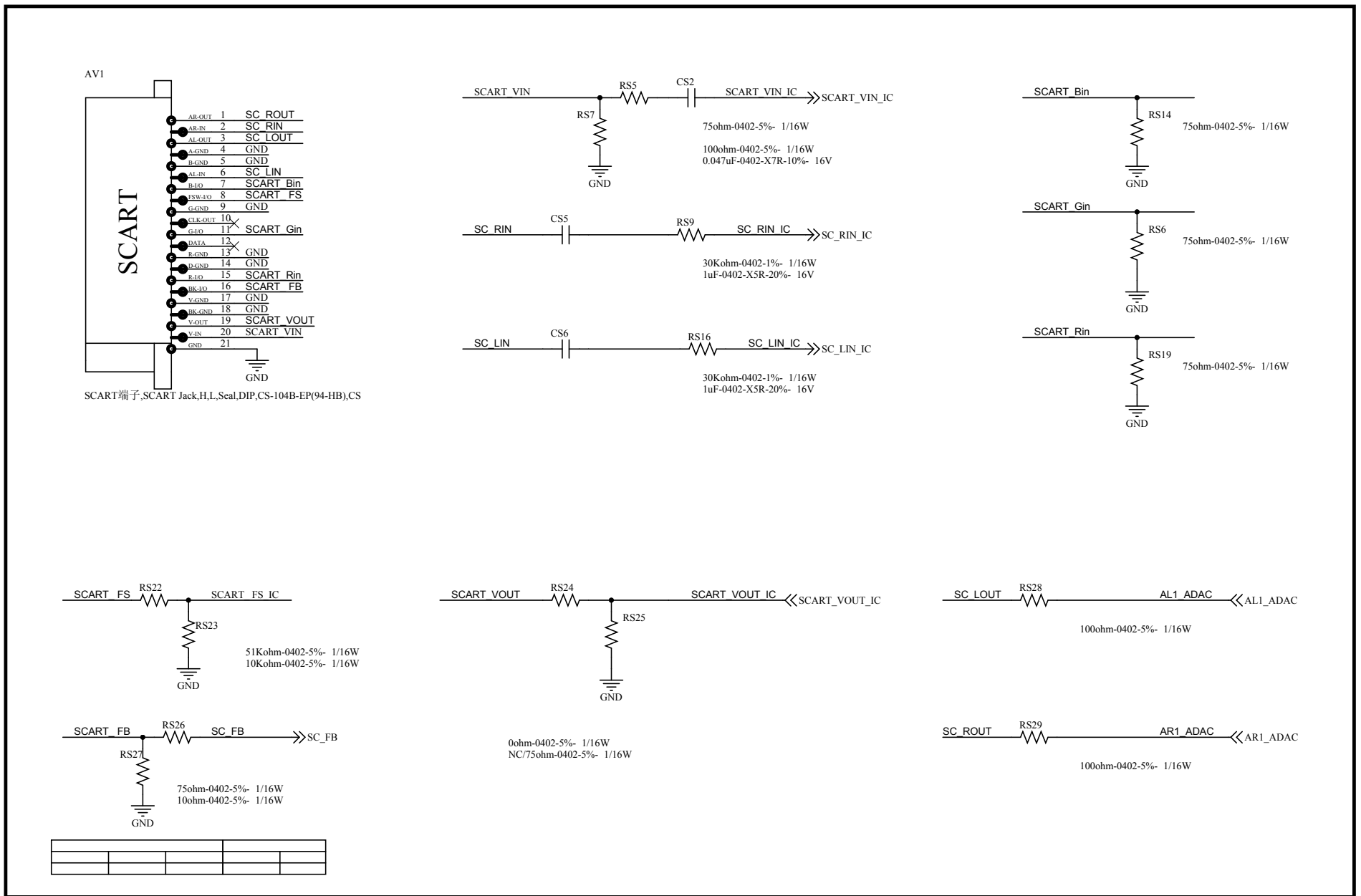
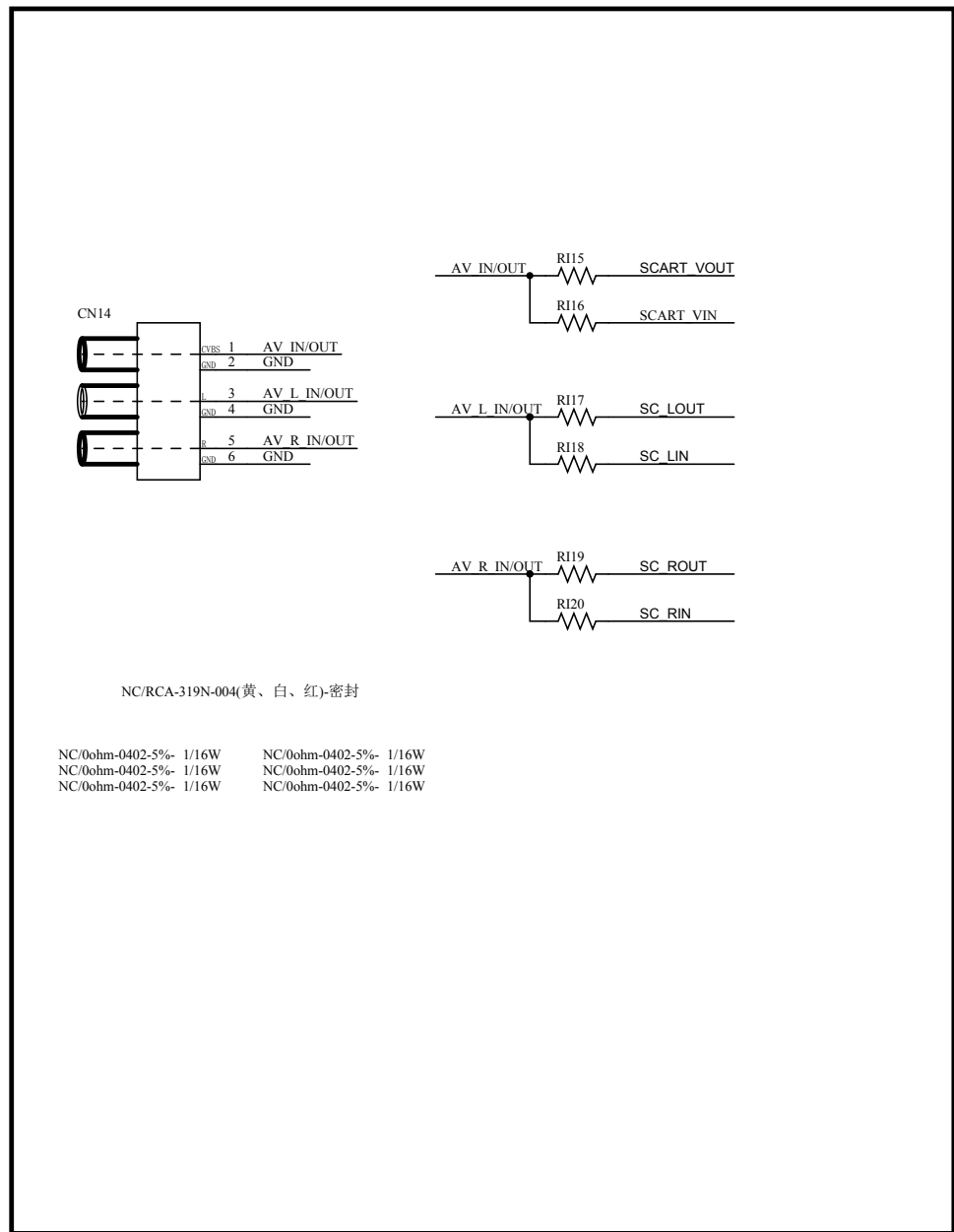
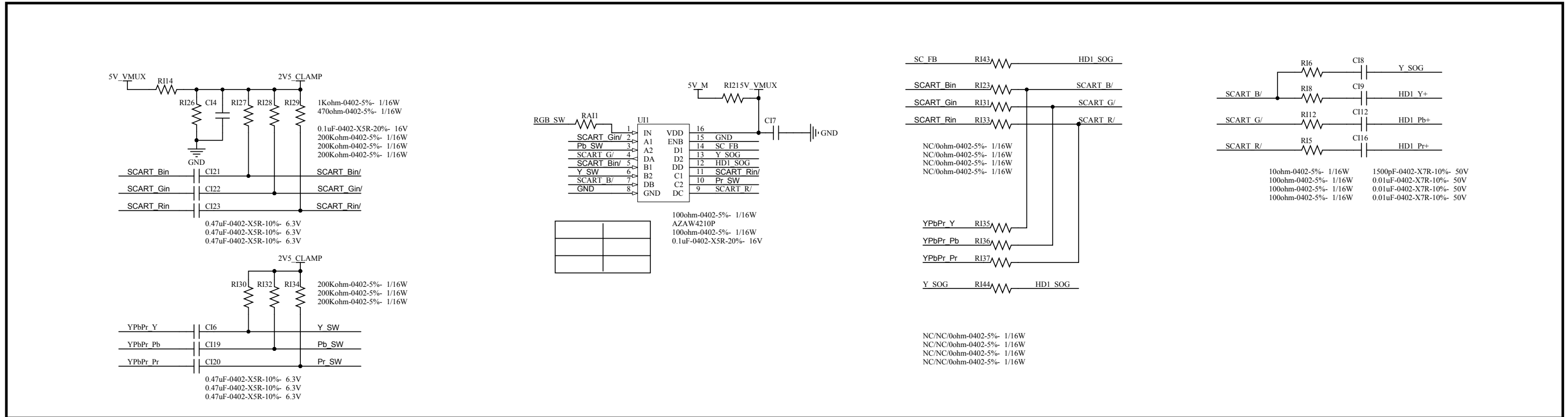
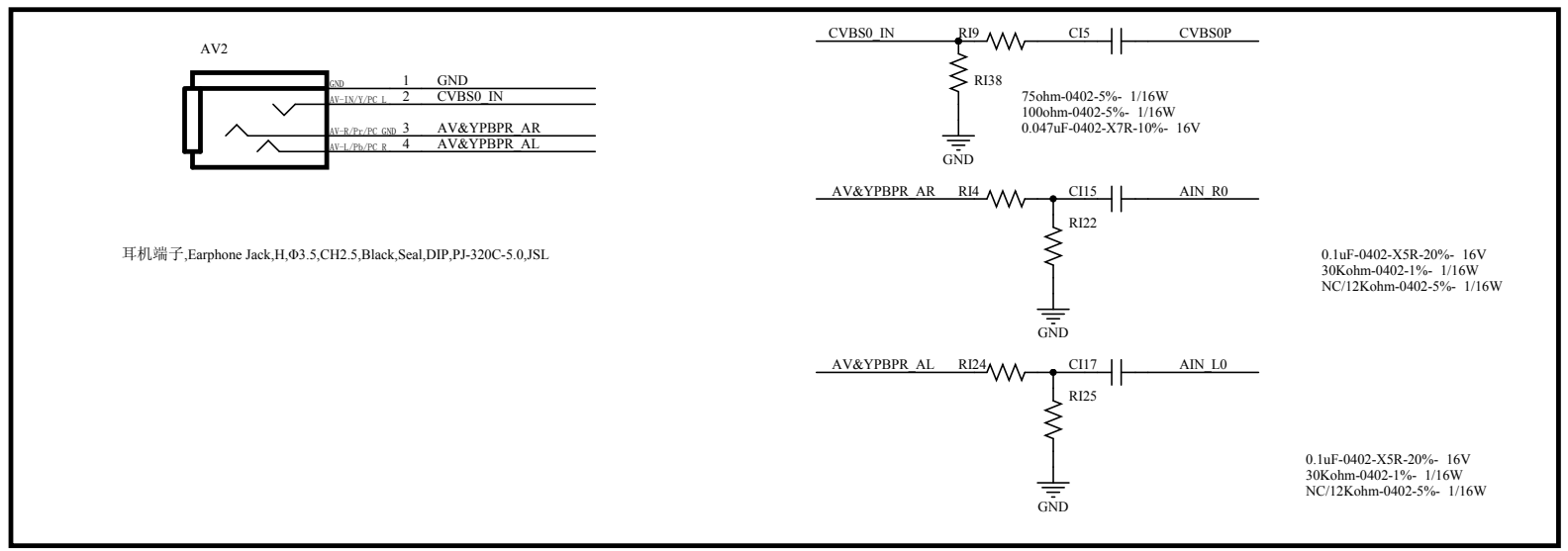
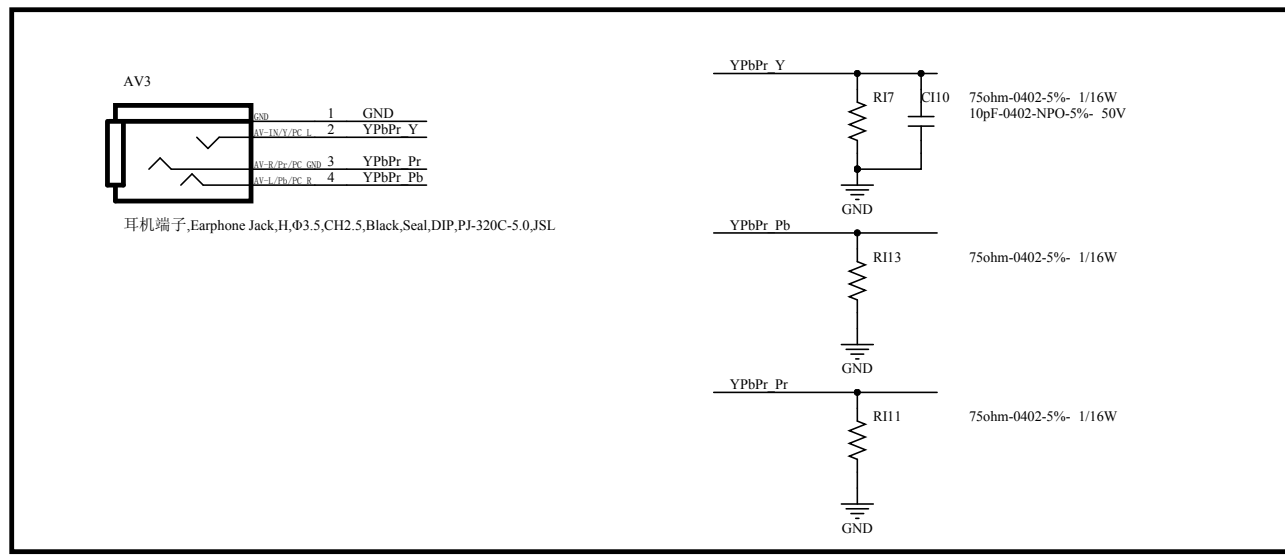
金针 ,pin connector,215Pin/w ithout pin6,D,D2.0mm,L=2.6mm,DIP,H2030-30SVB-V06-J8SY_XYDT

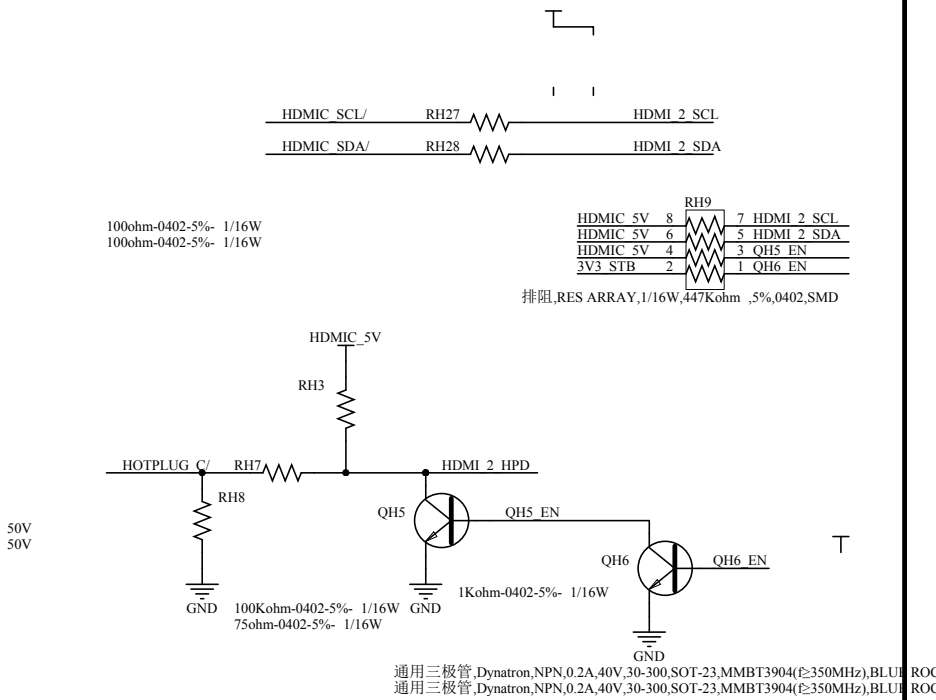
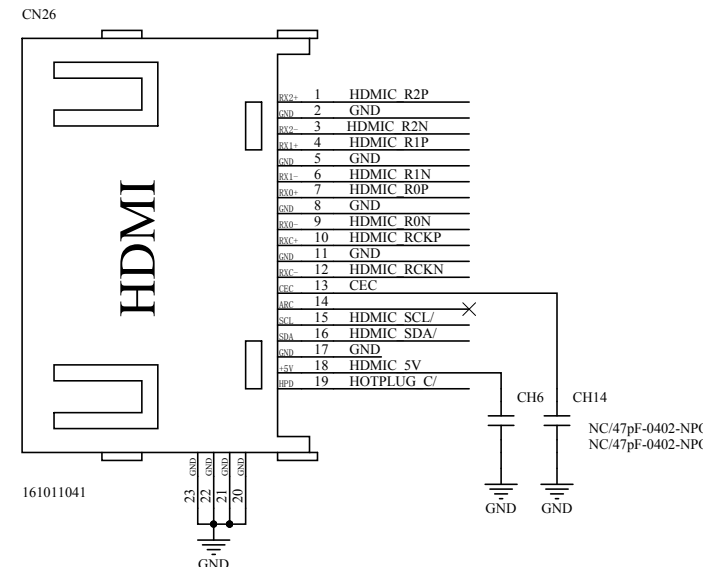
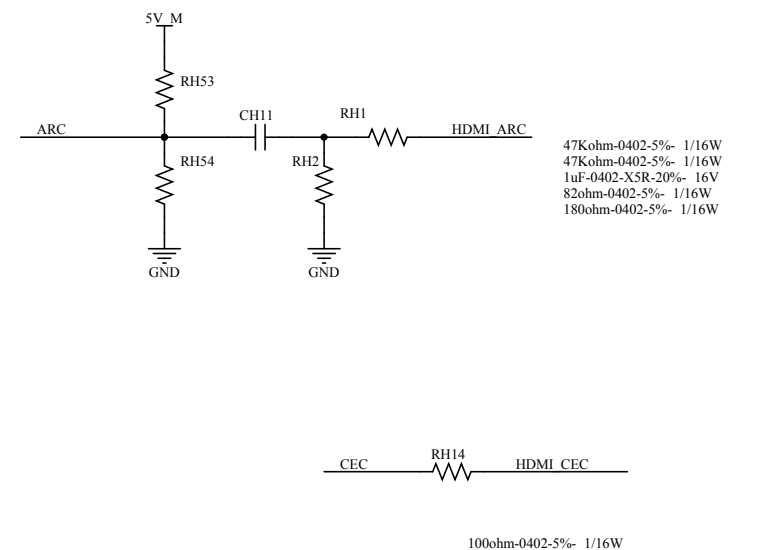
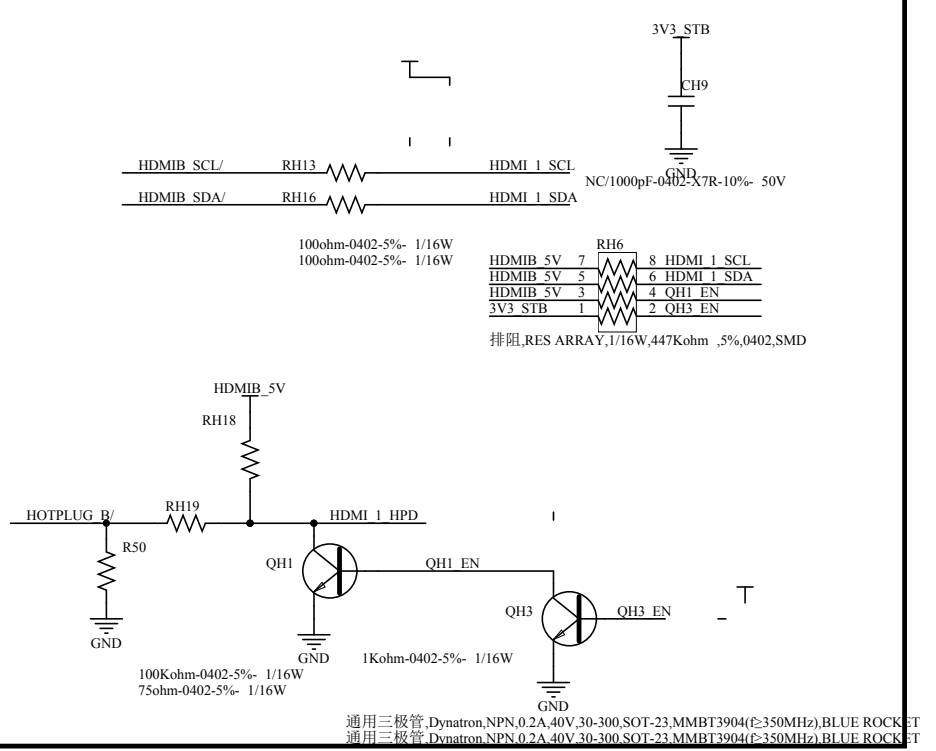
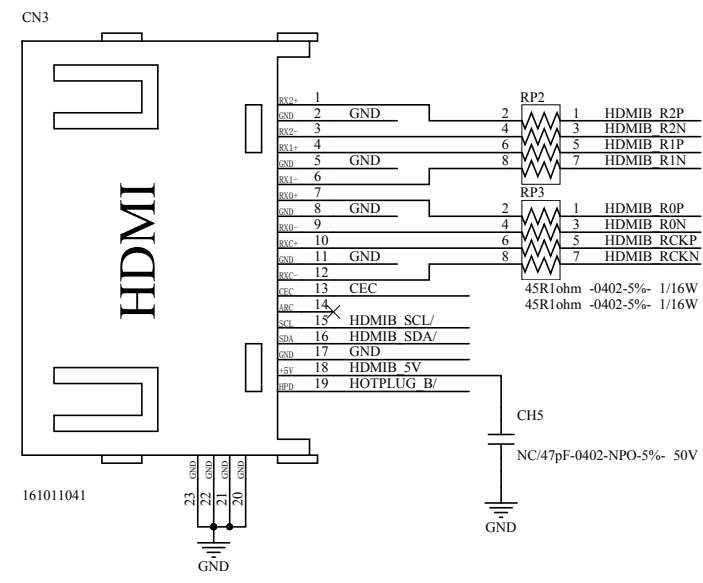
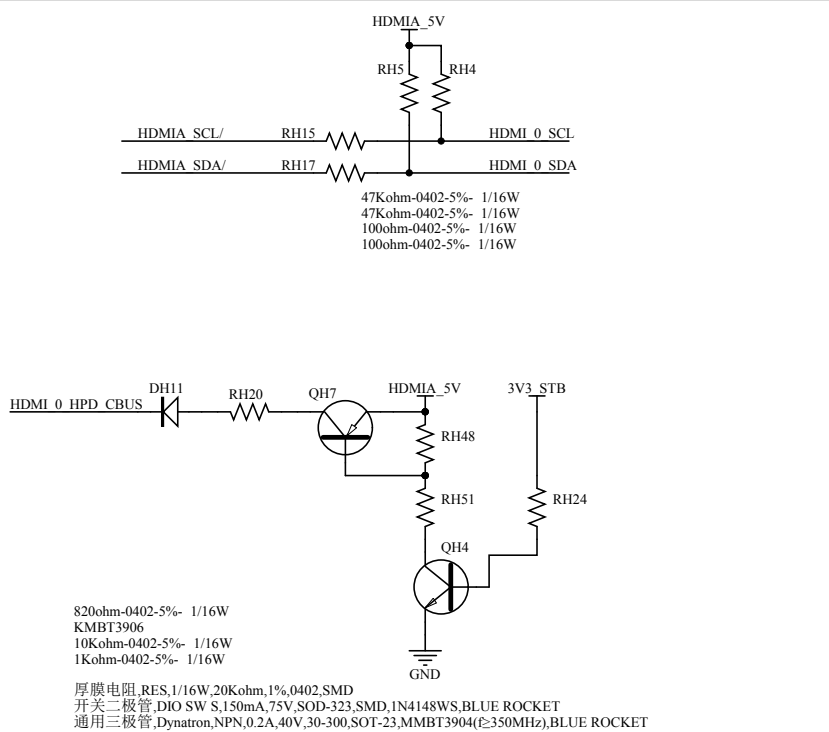
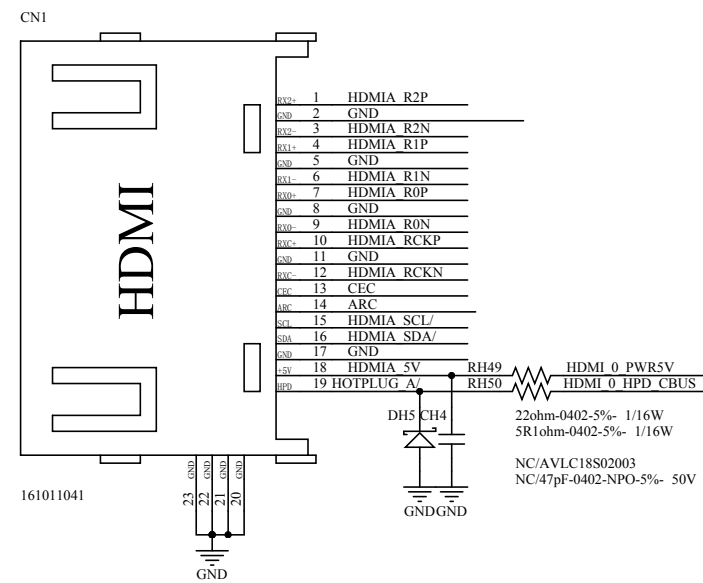
VCC Panel	1	2	VCC Panel
VCC Panel	3	4	GND
GND	5		
RX00 N	7	8	RX00 P
RX01 N	9	10	RX01 P
RX02 N	11	12	RX02 P
GND	13	14	GND
RX0C N	15	16	RX0C P
RX03 N	17	18	RX03 P
RXE0 N	19	20	RXE0 P
RXE1 N	21	22	RXE1 P
RXE2 N	23	24	RXE2 P
GND	25	26	GND
RXEC N	27	28	RXEC P
RXE3 N	29	30	RXE3 P

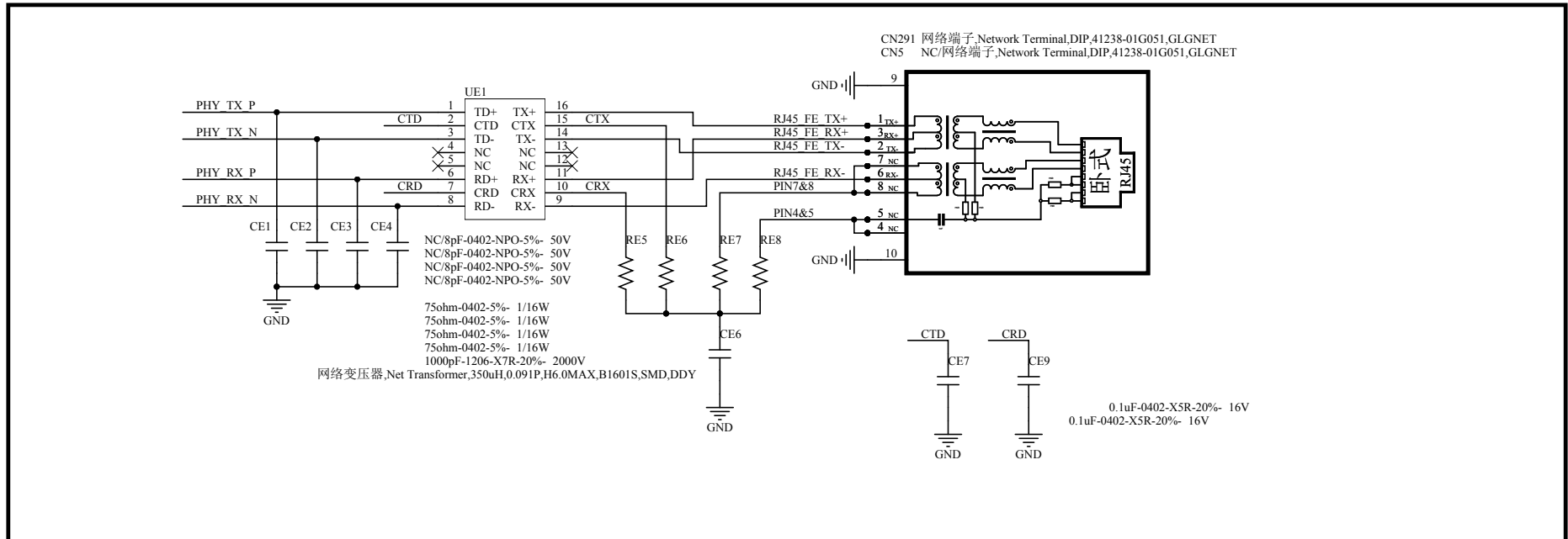
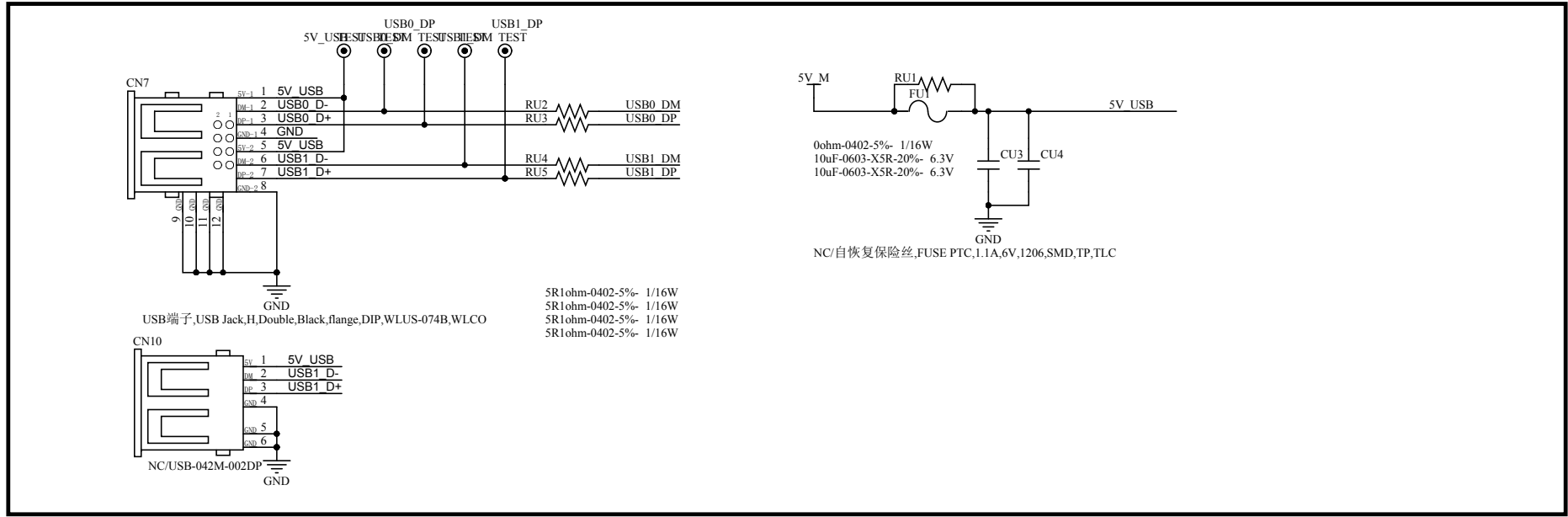
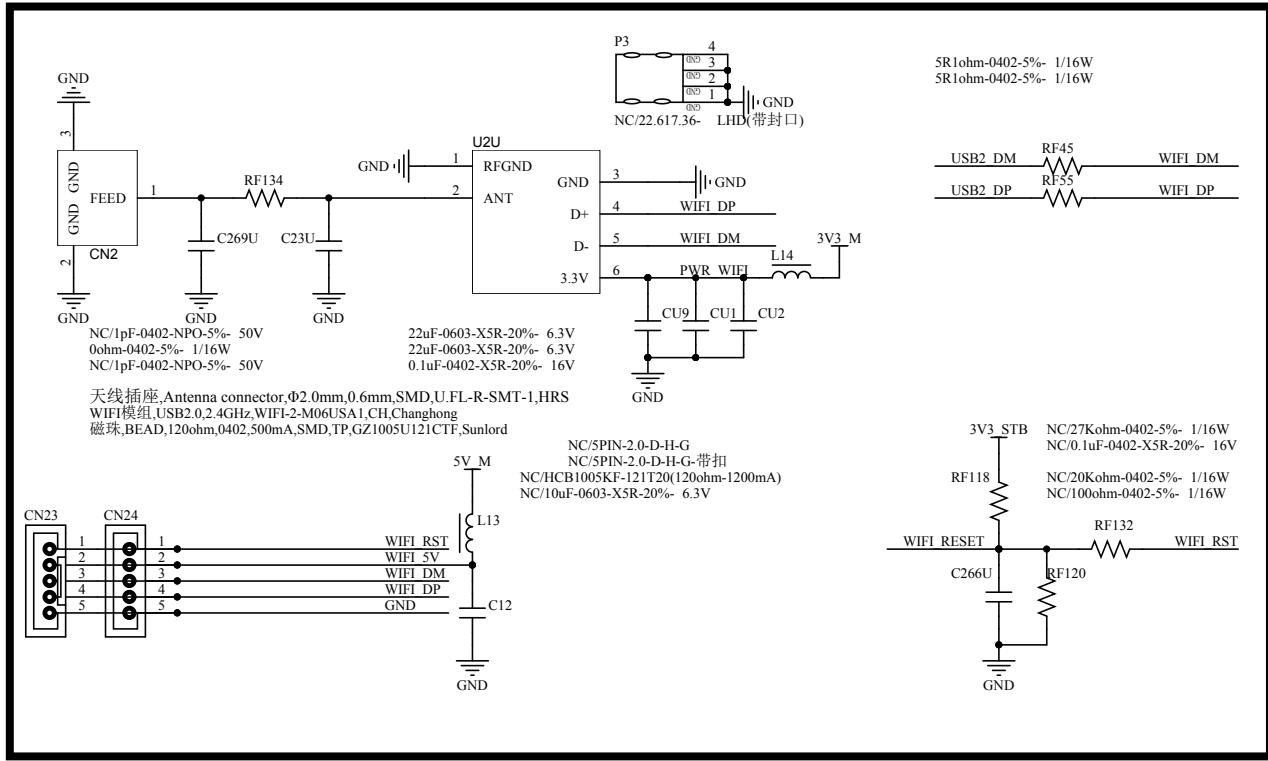
NC连接插座,connect jack,215Pin/w ithout pin6,D2.0,D,SNAP,Fool-proofing,Nature,L=2.6mm,DIP,CJ

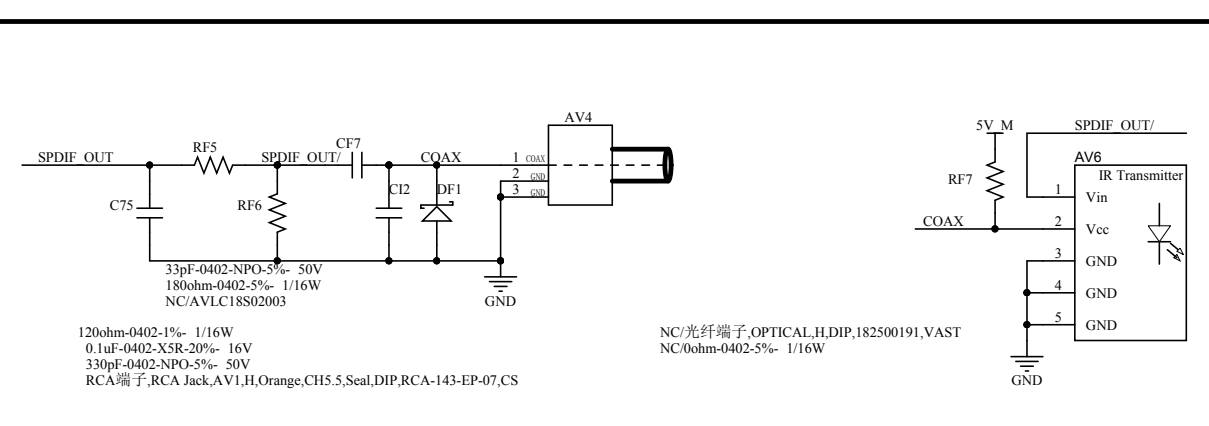
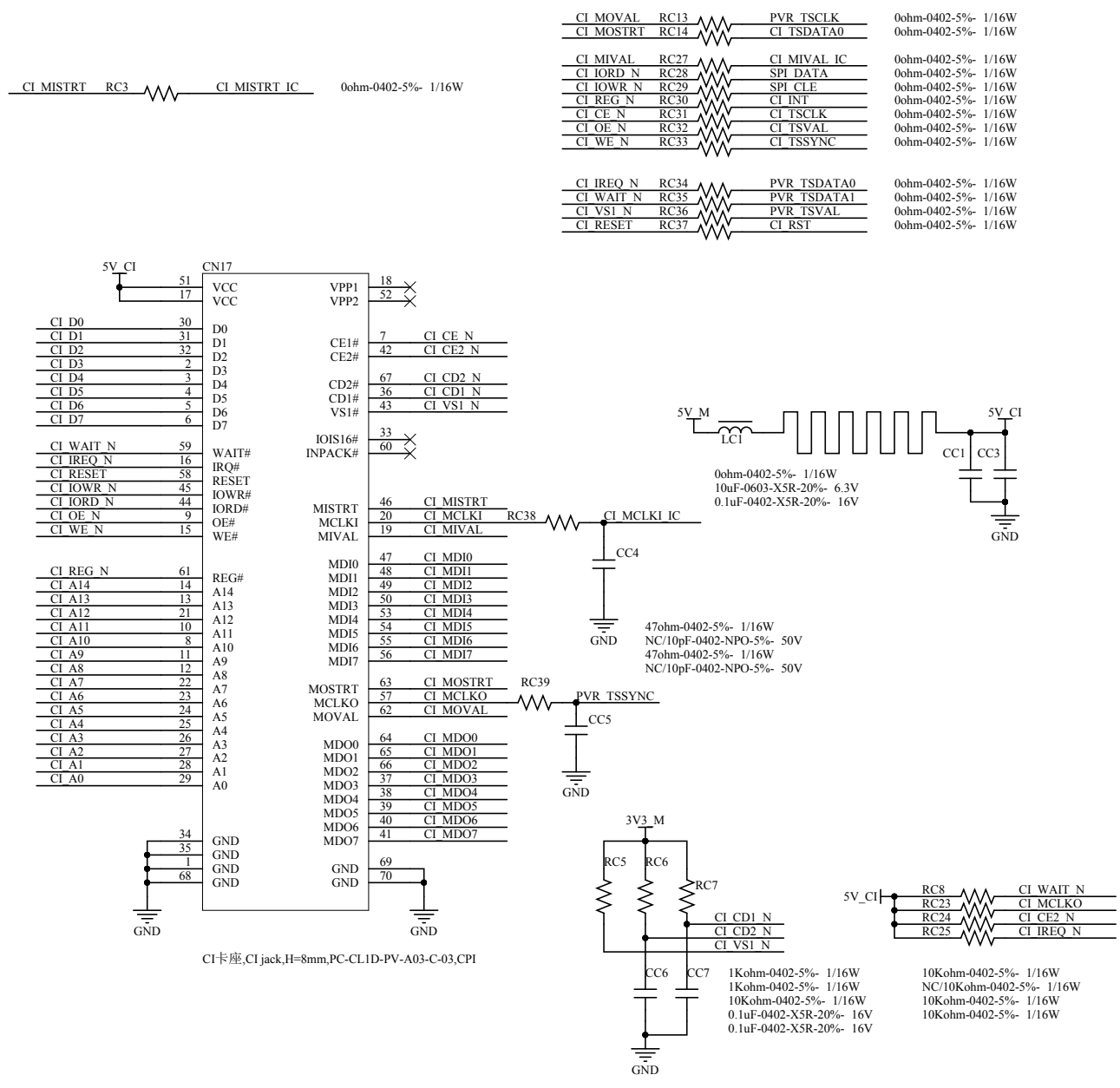


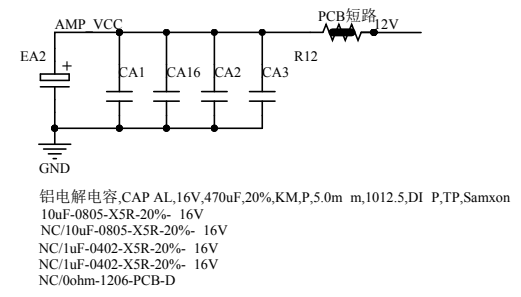
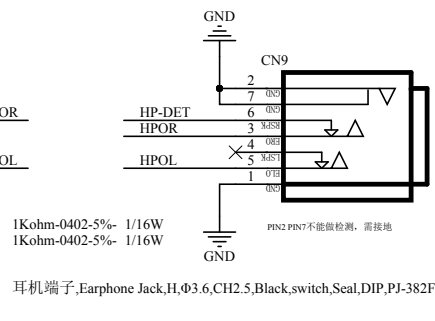
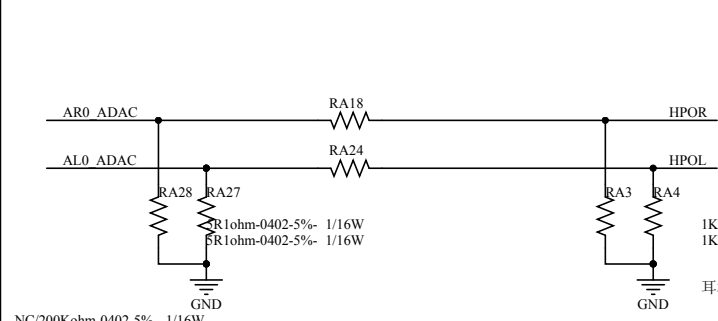








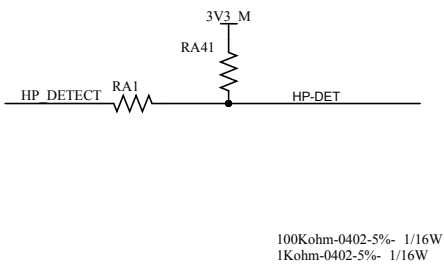




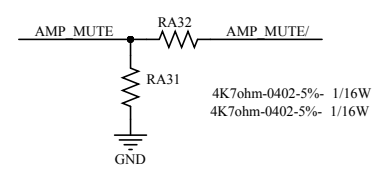
NC/200Kohm-0402-5%- 1/16W
NC/200Kohm-0402-5%- 1/16W

1Kohm-0402-5%- 1/16W
1Kohm-0402-5%- 1/16W
耳机端子, Earphone Jack, H, Ø3.6, CH2.5, Black, switch, Seal, DIP, PJ-382F, JSL

铝电解电容, CAP AL, 16V, 470uF, 20%, KM, P, 5.0mm, 1012.5, DI P, TP, Samxon
10uF-0805-X5R-20%- 16V
NC/10uF-0805-X5R-20%- 16V
NC/1uF-0402-X5R-20%- 16V
NC/1uF-0402-X5R-20%- 16V
NC/0ohm-1206-PCB-D

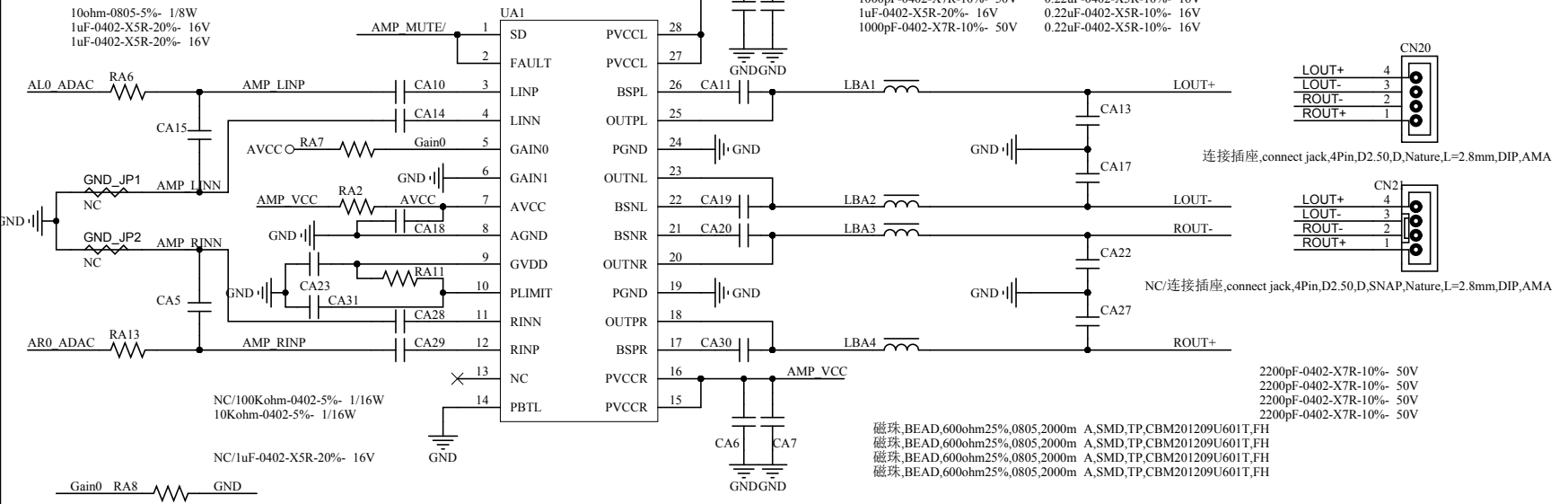


100Kohm-0402-5%- 1/16W
1Kohm-0402-5%- 1/16W



4K7ohm-0402-5%- 1/16W
4K7ohm-0402-5%- 1/16W

100ohm-0402-5%- 1/16W
1000pF-0402-X7R-10%- 50V
1000pF-0402-X7R-10%- 50V
100ohm-0402-5%- 1/16W
100ohm-0805-5%- 1/8W
1uF-0402-X5R-20%- 16V
1uF-0402-X5R-20%- 16V



NC/100Kohm-0402-5%- 1/16W
10Kohm-0402-5%- 1/16W

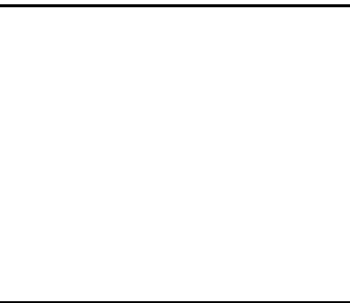
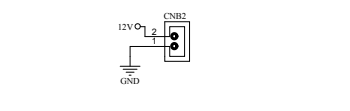
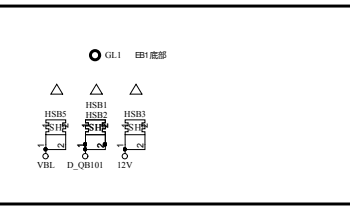
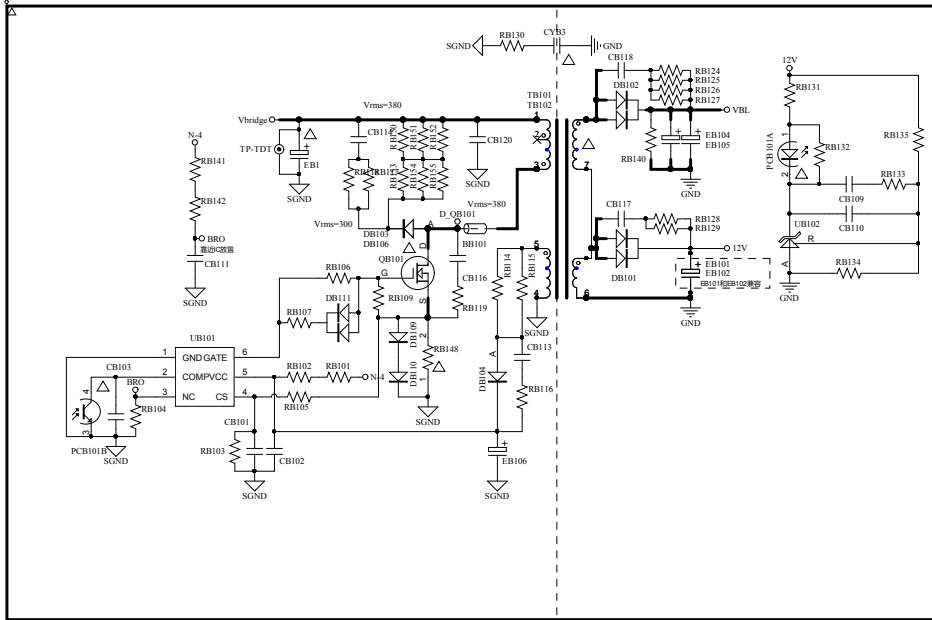
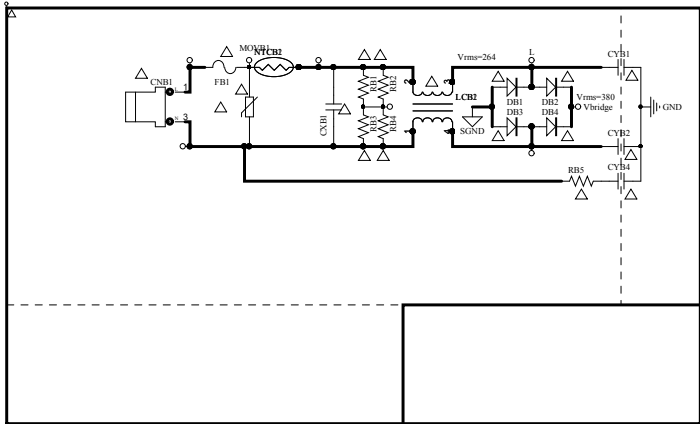
连接插座, connect jack, 4Pin, D2.50, D, Nature, L=2.8mm, DIP, AMA

NC/连接插座, connect jack, 4Pin, D2.50, D, SNAP, Nature, L=2.8mm, DIP, AMA

2200pF-0402-X7R-10%- 50V
2200pF-0402-X7R-10%- 50V
2200pF-0402-X7R-10%- 50V
2200pF-0402-X7R-10%- 50V

磁珠, BEAD, 600ohm25%, 0805, 2000m A, SMD, TP, CBM201209U601T, FH
磁珠, BEAD, 600ohm25%, 0805, 2000m A, SMD, TP, CBM201209U601T, FH
磁珠, BEAD, 600ohm25%, 0805, 2000m A, SMD, TP, CBM201209U601T, FH
磁珠, BEAD, 600ohm25%, 0805, 2000m A, SMD, TP, CBM201209U601T, FH

音频功放, IC Audio AMP, Class D, 210W@13.0V@8ohm, HTSSOP-28, SMD, RDA3118E28B, RDA



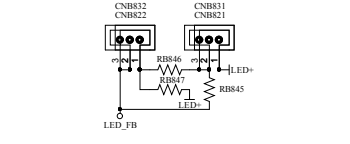
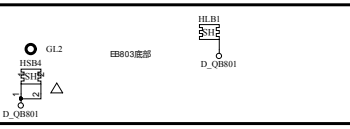
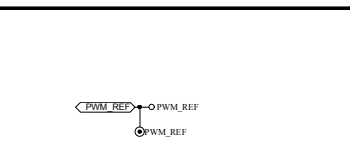
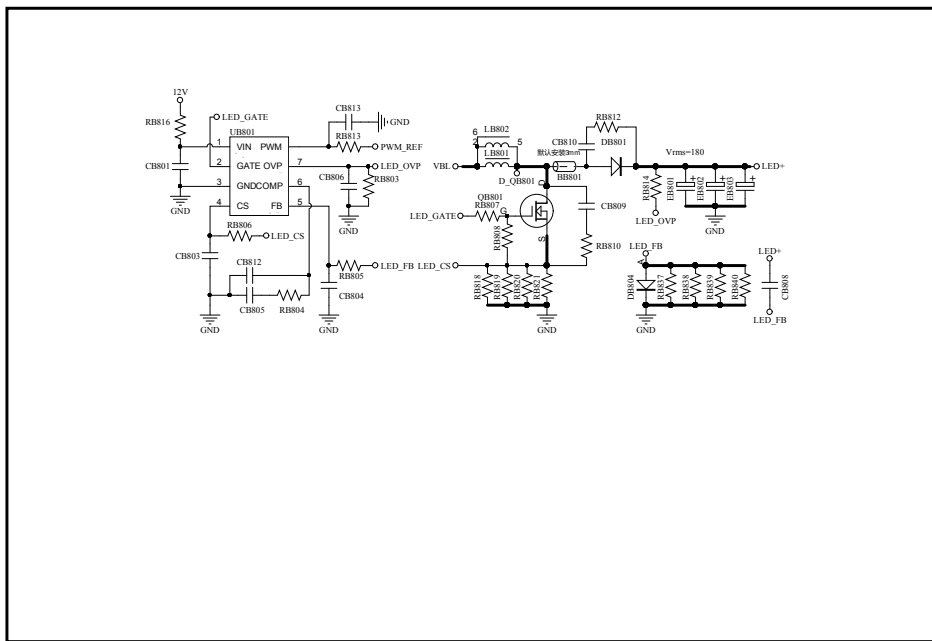
辅料及结构件等

ML1
MyStar

GD1 GD2 GD3 GD4
EVA1 EVA2 EVA3 EVA4 EVA5 EVA6

原理图中未体现的辅料及特殊生产工艺

工艺	位号
防静电胶	EB1, EB803(M1)
胶类	DB801, DB1, DB2, DB3, DB4 (使用PL207时, DB1-DB4不需要胶类)
XXX	XXX
XXX	XXX



M del Na e	TP.ME55105.PB003A(18097)	VERSION	V1.0
DRAWN	王宗彦	DATE	201-03-17
CH D	温嘉平	DATE	201-03-17

