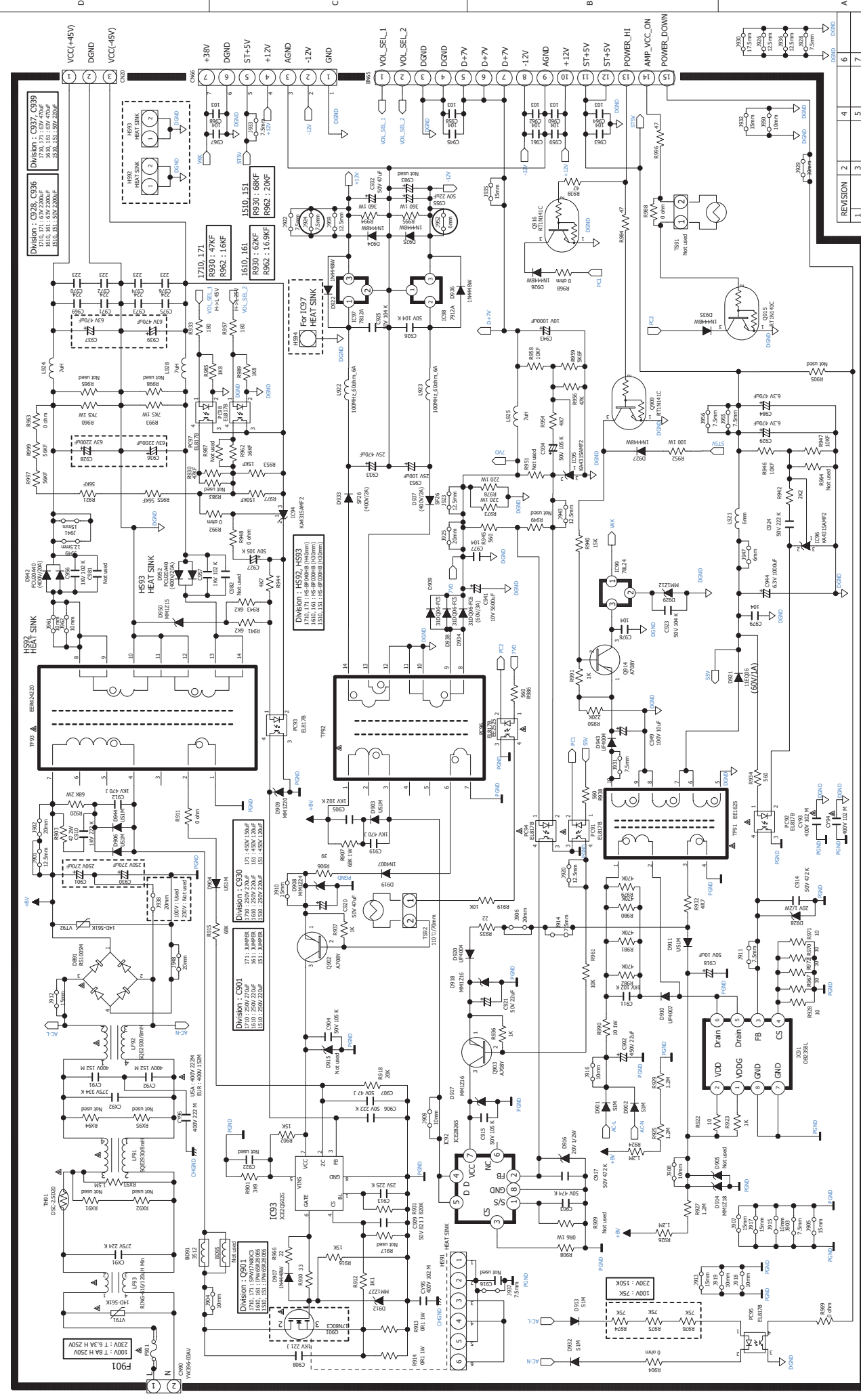


AVR1X10/AVR1X1 SMPS SCHEMATIC DIAGRAM



REVISION	1	2	3	4	5	6	7
MODEL	AVR151/230						
DESIGN	CHECK APPROVE						
C.S.K	C.D.C Y.W.Y						
DATE	12.12.24	12.12.24	12.12.24	12.12.24	12.12.24	12.12.24	12.12.24

SHEET	
26	27

DRAWING NO	
12509SCM2	

IMPORTANT SAFETY NOTICE:
 COMPONENTS IDENTIFIED BY A MARK HAVE SPECIAL CHARACTERISTICS.
 DON'T USE THESE COMPONENTS IN ANY OF THESE COMPONENTS.
 USE ONLY MANUFACTURER'S SPECIFIED PARTS.
 **THE UNIT OF RESISTANCE IS OHM, K=1000 OHM, M=1000 KOHM
 **THIS SCHEMATIC DIAGRAM MAY BE MODIFIED AT ANY TIME WITH THE
 IMPROVEMENT OF PERFORMANCE

