

D10 replaced by jumper from factory.

The selected frequency range module determined by Carrier Range Switch is connected to A20. All other modules outputs are short circuit together.

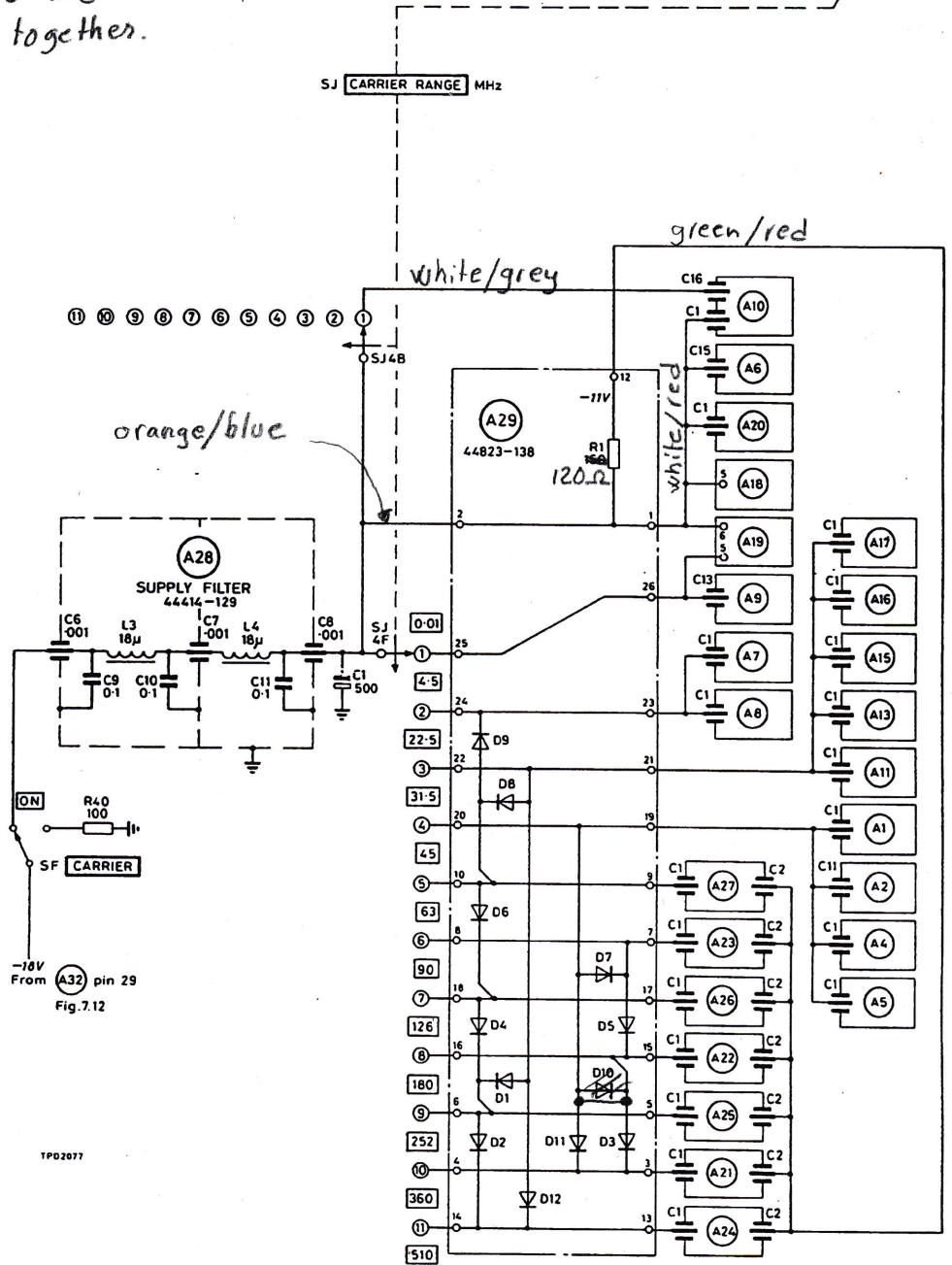
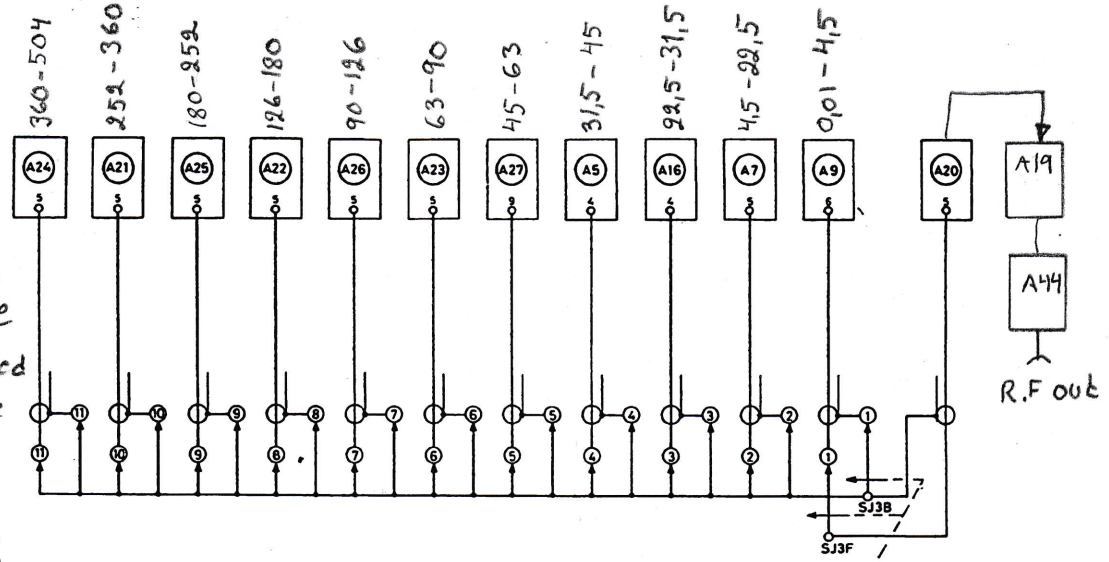
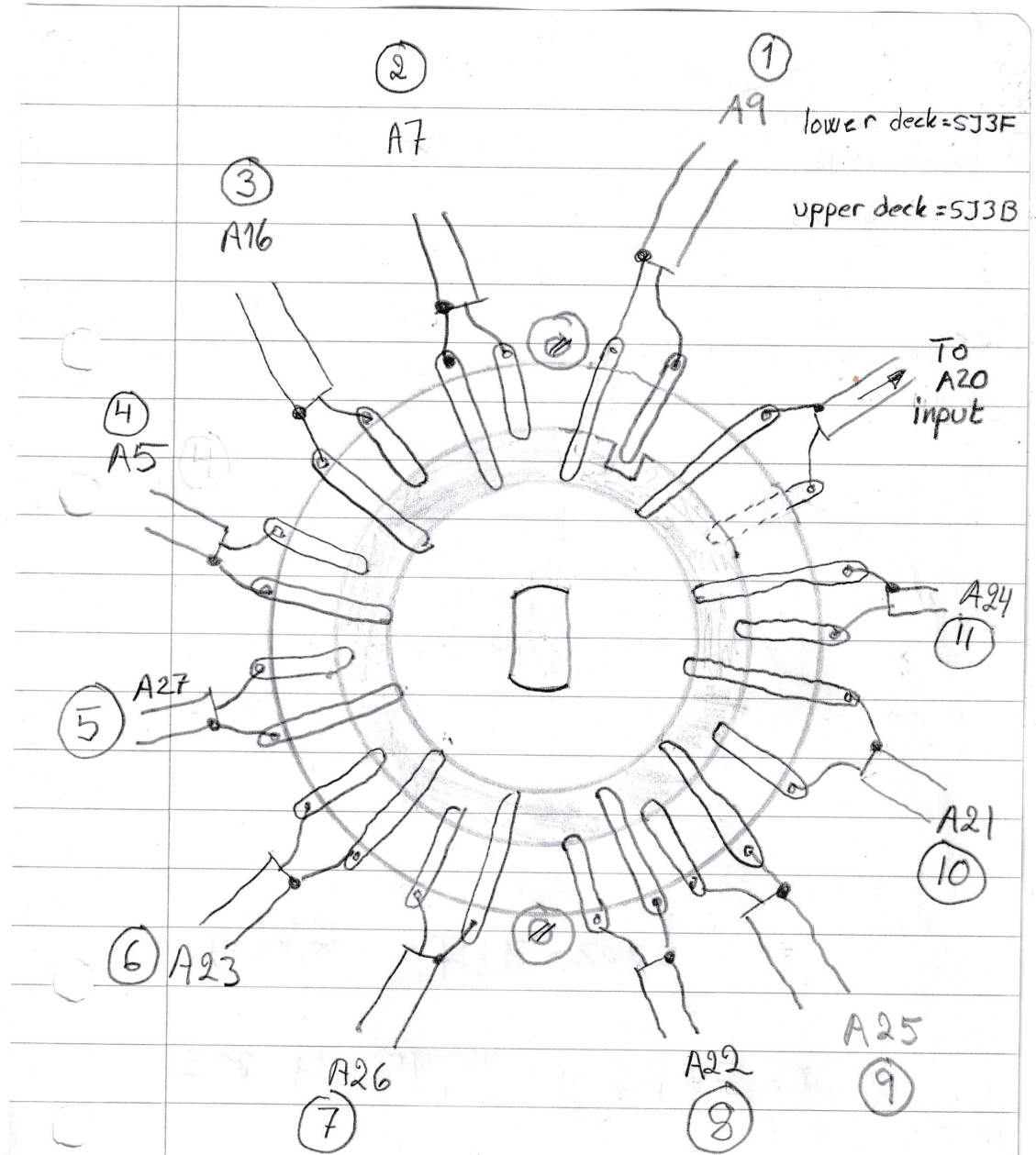


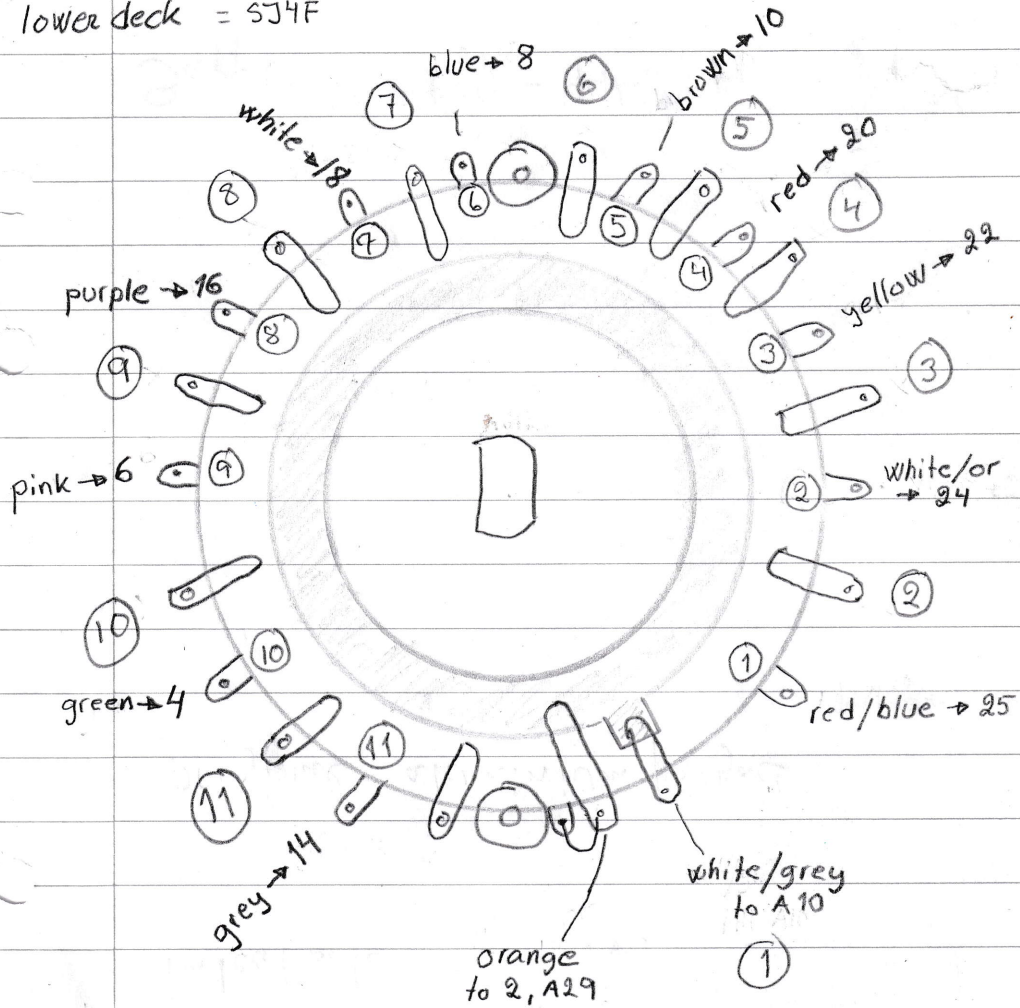
Fig. 7.10a Circuit diagram—r.f. processing range switching



Switch shown in C.R pos 1 (0,001-4,5 MHz)

upper deck = 5J4B
lower deck = 5J4F

This part of C.R switch
applies -18V to the modules by
help of diode matrix on A29



switch shown in C.R pos 1 (0,001-4,5 MHz)