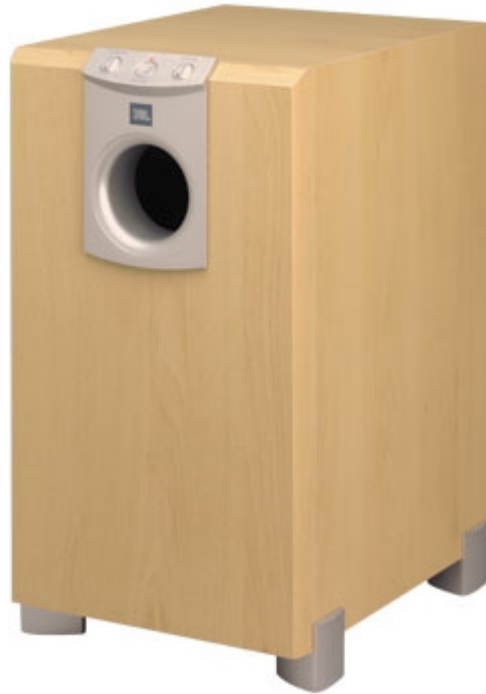


SIMPLY CINEMA - SCS 138-178 Subwoofer

Service manual V1 (E)



SPECIFICATIONS:

Active Subwoofer Section

- **Low Frequency Cut-off: 35Hz**
 - **High Frequency Cut-off: 40Hz - 120Hz Variable**
 - **Built-In Amplifier Power: 100 Watts RMS**
 - **Drive Units: 200mm Paper Cone Long Throw Driver**
- ### **Bass Reflex Enclosure**
- **Dimensions (H x W x D): 450mm x 250mm x 360 mm**
 - **Weight: 13.6kg**

106SUB138E**106SUB138E**

		PART NO.	DESCRIPTION	QTY	REFERENCE
1		101OSUB138C	PCB AMP ASS'Y	1	
2		101ASUB138C	AI PCB AMP ASS'Y	1	
3		104sub138c01	PCB	1	
4		11016103j26	Resistor 10K 1/6W \pm 5% CF	1	R303
5		11016273j26	Resistor 27K 1/6W \pm 5% CF	1	R304
6		11016472j26	Resistor 4.7K 1/6W \pm 5% CF	2	R301,2
7		115h203b205	Variable Resistor B20K	1	VR302
8		115h503a202	Variable Resistor A50K	1	VR301
9		180sms50126	SLIDE SW MS50126	1	SW301
10		19006m4558d	I.C. OPA 4558D	1	U301
11		101OSUB138E	PCB ASS'Y AMP	1	
12		101ASUB138E	AI PCB ASS'Y AMP OF SUB138	1	
13		104sub135e00	PCB OF SUB135CE	1	
14		11014122j26	Resistor 1.2K 1/4W \pm 5% CF	1	R265
15		11014472j26	Resistor 4.7K 1/4W \pm 5% CF	2	R201,2
16		11014560j26	Resistor 56 1/4W \pm 5% CF	1	R117
17		11016101j26	Resistor 100 1/6W \pm 5% CF	4	R120,213,4,5
18		11016102j26	Resistor 1K 1/6W \pm 5% CF	3	R124,66,254
19		11016103j26	Resistor 10K 1/6W \pm 5% CF	17	R133,4,209,12,6,7,20,1,2,5,8,9,30,2,5,40,60
20		11016104j26	Resistor 100K 1/6W \pm 5% CF	3	R231,163,4
21		11016105j26	Resistor 1M 1/6W \pm 5% CF	2	R143,259
22		11016123j26	Resistor 12K 1/6W \pm 5% CF	3	R135,9,65
23		11016124j26	Resistor 120K 1/6W \pm 5% CF	1	R233

24		11016151j26	Resistor 150 1/6W ±5% CF	1	R253
25		11016152j26	Resistor 1.5K 1/6W ±5% CF	7	R103,23,36,7,41,2,53
26		11016153j26	Resistor 15K 1/6W ±5% CF	5	R118,45,52,4,234
27		11016154j26	Resistor 150K 1/6W ±5% CF	2	R131,252
28		11016181j26	Resistor 180 1/6W ±5% CF	2	R111,4
29		11016205j26	Resistor 2.0M 1/6W ±5% CF	1	R257
30		11016223j26	Resistor 22K 1/6W ±5% CF	10	R128,9,55,6,8,60,237,8,55,62,3
31		11016273j26	Resistor 27K 1/6W ±5% CF	1	R223
32		11016332j26	Resistor 3.3K 1/6W ±5% CF	5	R106,7,44,236,58
33		11016392j26	Resistor 3.9K 1/6W ±5% CF	2	R105,8
34		11016393j26	Resistor 39K 1/6W ±5% CF	1	R126
35		11016470j26	Resistor 47 1/6W ±5% CF	4	R112,3,5,6
36		11016471j26	Resistor 470 1/6W ±5% CF	3	R140,61,2
37		11016472j26	Resistor 4.7K 1/6W ±5% CF	8	R110,25,30,47,50,9,207,8
38		11016473j26	Resistor 47K 1/6W ±5% CF	5	R101,219,49,50,1
39		11016512j26	Resistor 5.1K 1/6W ±5% CF	2	R210,1
40		11016513j26	Resistor 51K 1/6W ±5% CF	1	R224
41		11016563j26	Resistor 56K 1/6W ±5% CF	1	R104
42		11016681j26	Resistor 680 1/6W ±5% CF	2	R148,51
43		11016682j26	Resistor 6.8K 1/6W ±5% CF	1	R109
44		11016913j26	Resistor 91K 1/6W ±5% CF	4	R203,4,5,6
45		1302b101k503	Disc Capacitor 100P 50V ±10%	4	C139,40,207,14
46		1302b102k503	Disc Capacitor 1000P 50V ±10%	4	C116,41,203,20
47		1302b221k503	Disc Capacitor 220P 50V ±10%	6	C204,5,10,1,2,30
48		1302b681k503	Disc Capacitor 680P 50V ±10%	1	C208

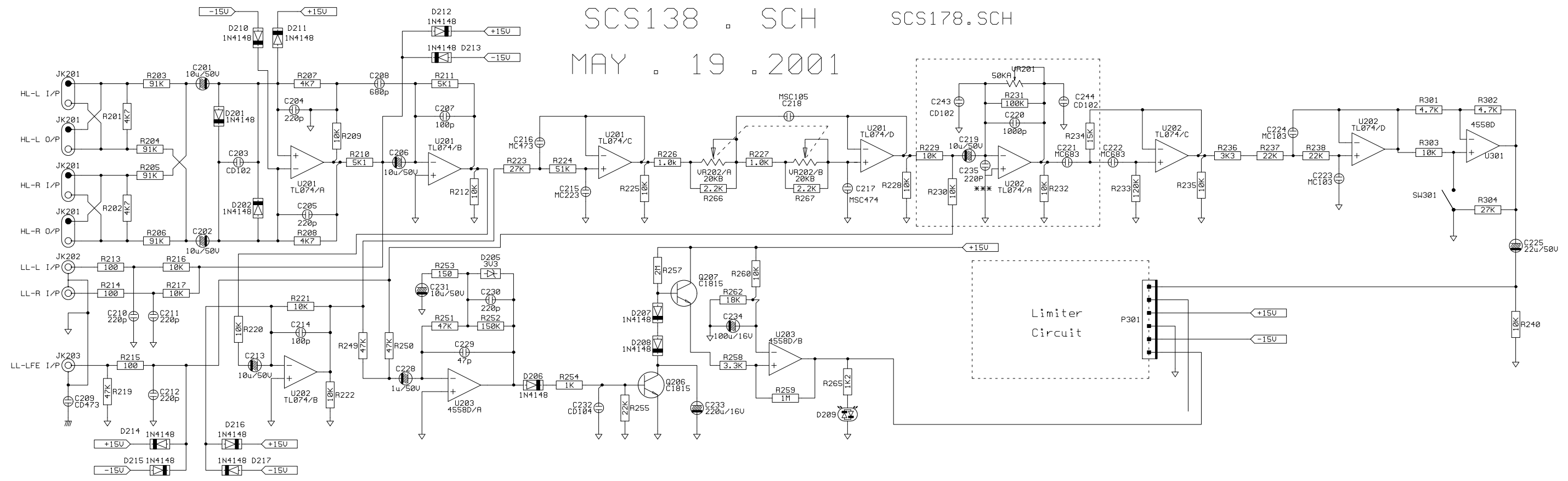
49		1302f104z503	Disc Capacitor 0.1U 50V +80/-20%	13	C108,13,5,9,37,8,232,5,6,7,9,40,1
50		1303f473m503	Disc Capacitor 0.047U 50V ±20%	2	C106,209
51		130sl470k503	Disc Capacitor 47P 50V +350/-1000 ±10%	1	C229
52		132103j503	Mylar Capacitor 0.01U 50V ±5%	2	C223,4
53		132104j503	Mylar Capacitor 0.1U 50V ±5%	3	C107,221,2
54		132223ja03	Mylar Capacitor 0.022uF 100V ±5%	9	C123,4,5,6,7,8,31,2,215
55		132473j503	Mylar Capacitor 0.047U 50V ±5%	1	C216
56		1353105m50	Electrolytie Cap. 1U 50V ±20%	3	C105,12,228
57		1353106m50	Electrolytie Cap. 10U 50V ±20%	6	C201,2,6,13,9,31
58		1353107m16	Electrolytie Cap. 100uF 16V ±20%	7	C109,10,17,20,234,8,42
59		1353107m50	Electrolytie Cap. 100U 50V ±20%	1	C136
60		1353226m50	Electrolytie Cap. 22U 50V ±20%	2	C114,8
61		1353227m10	Electrolytie Cap. 220U 10V ±20%	2	C129,30
62		1353227m16	Electrolytie Cap. 220U 16V ±20%	1	C111
63		1353336m16	Electrolytie Cap. 33U 16V ±20%	1	C233
64		1353476m25	Electrolytie Cap. 47U 25V ±20%	1	C103
65		192027c1815gr	Transistor 2SC1815GR	9	Q102,11,2,3,8,23,6,206,7
66		192027c2235y	Transistor 2SC2235Y	1	Q121
67		192028a1015gr	Transistor 2SA1015GR	3	Q114,6,27
68		192028a965y	Transistor 2SA965Y	1	Q125
69		1921672n5551	Transistor 2N5551	2	Q103,9
70		1921682n5401	Transistor 2N5401 AI-PNP 350V 500mA	2	Q104,10
71		197131n4148	Ziode 1N4148	19	D101,3,5,8,13,4,201,2,6,7,8,10,1,2,3,4,5,6,7
72		19915000335	Zener Ziode 3.3V 1/2W	2	D102,205
73		19915000625	Zener Ziode 6.2V 1/2W	2	D106,7

74		19915001605	Zener Ziode 16V 1/2W	1	D109
75		101OLIMIT	PCB ASS'Y OF LIMITER	1	
76		101ALIMIT	AI ASS'Y OF LIMITER	1	
77		104limit00	PCB OF LIMITER	1	
78		11016103j26	Resistor 10K 1/6W $\pm 5\%$ CF	6	R301,3,4,8,9,14
79		11016153j26	Resistor 15K 1/6W $\pm 5\%$ CF	1	R302
80		11016223j26	Resistor 22K 1/6W $\pm 5\%$ CF	2	R310,2
81		11016333j26	Resistor 33K 1/6W $\pm 5\%$ CF	1	R305
82		11016474j26	Resistor 470K 1/6W $\pm 5\%$ CF	1	R307
83		11016751j26	Resistor 750 1/6W $\pm 5\%$ CF	2	R311,3
84		11016755j26	Resistor 7.5M 1/6W $\pm 5\%$ CF	1	R306
85		1302f104z503	Disc Capacitor 0.1U 50V +80/-20%	2	C305,6
86		132103j503	Mylar Capacitor 0.01U 50V $\pm 5\%$	2	C302,3
87		1353226m50	Electrolytic Cap. 22U 50V $\pm 20\%$	1	C301
88		1353476m25	Electrolytic Cap. 47U 25V $\pm 20\%$	1	C304
89		192027c1815gr	Transistor 2SC1815GR	2	Q301,2
90		197131n4148	Ziode 1N4148	2	D301,2
91		1759f40hr2	40PIN PITCH=2.54mm HR2*40	0.15	P301
92		19016tl074cn	I.C. TL074CN ST	1	U301
93		11010821jk1	Resistor 820 1W $\pm 5\%$	1	R132
94		110122r2j15	Resistor 2.2 1/2W $\pm 5\%$	1	R127
95		11016102j26	Resistor 1K 1/6W $\pm 5\%$ CF	2	R226,7
96		11016222j26	Resistor 2.2K 1/6W $\pm 5\%$ CF	2	R266,7
97		11016472j26	Resistor 4.7K 1/6W $\pm 5\%$ CF	1	R157
98		113500r1j10	Cement Resistor 0.1 5W	2	R121,2

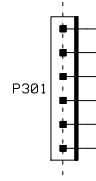
99		11403302m0	Semi-fixed Resistor 3K 0.3W $\pm 20\%$	1	R138
100		129a105j633	Metallize Cap. 1uF 63V $\pm 5\%$	1	C218
101		129a474j633	Metallize Cap. 0.47U 63V $\pm 5\%$	1	C217
102		1302b102k503	Disc Capacitor 1000P 50V $\pm 10\%$	2	C243,4
103		1302b221k503	Disc Capacitor 220P 50V $\pm 10\%$	1	C235
104		1353107m50	Electrolytic Cap. 100U 50V $\pm 20\%$	1	C135
105		1353226m50	Electrolytic Cap. 22U 50V $\pm 20\%$	1	C225
106		1354478m35	Electrolytic Cap. 4700U 35V $\pm 20\%$	2	C121,2
107		1354478m50	Electrolytic Cap. 4700U 50V $\pm 20\%$	2	C133,4
108		171udhss124d	Relay 5A 24V UDH-SS124D	1	RY101
109		1740rcb202v	RCA JACK RCB-202V	1	JK202
110		1740rcb242v1	JACK RCA RCB-242V-1	1	JK203
111		1742rsp108v	8 PIN SPK JACK RSP-108V	1	JK201
112		19006m4558d	I.C. OPA 4558D	2	U101,203
113		19016tl074cn	I.C. TL074CN ST	2	U201,2
114		192021c1815gr	Transistor 2SC1815GR	2	Q101,15
115		192021tip35c	Transistor TIP35C	1	Q107
116		192022tip36c	Transistor TIP36C	1	Q108
117		192028a1015gr	Transistor 2SA1015GR	1	Q122
118		192161tip41c	Transistor TIP41C NPN SGS	1	Q124
119		192162tip42c	Transistor TIP42C PNP SGS	1	Q120
120		192201d882y	Transistor KSD882Y	1	Q117
121		192202b772y	Transistor KSB772Y	1	Q119
122		192991d669a	Transistor HSD669A	1	Q106
123		192992b649a	Transistor HSB649A	1	Q105

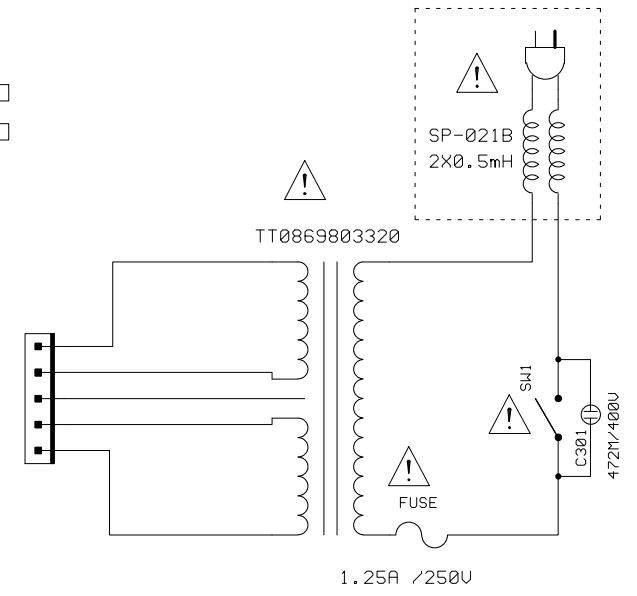
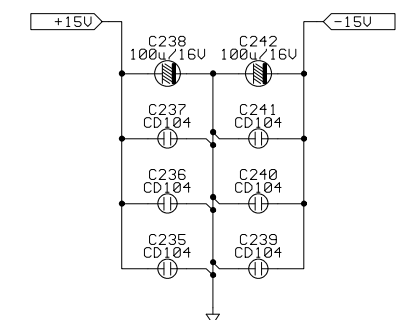
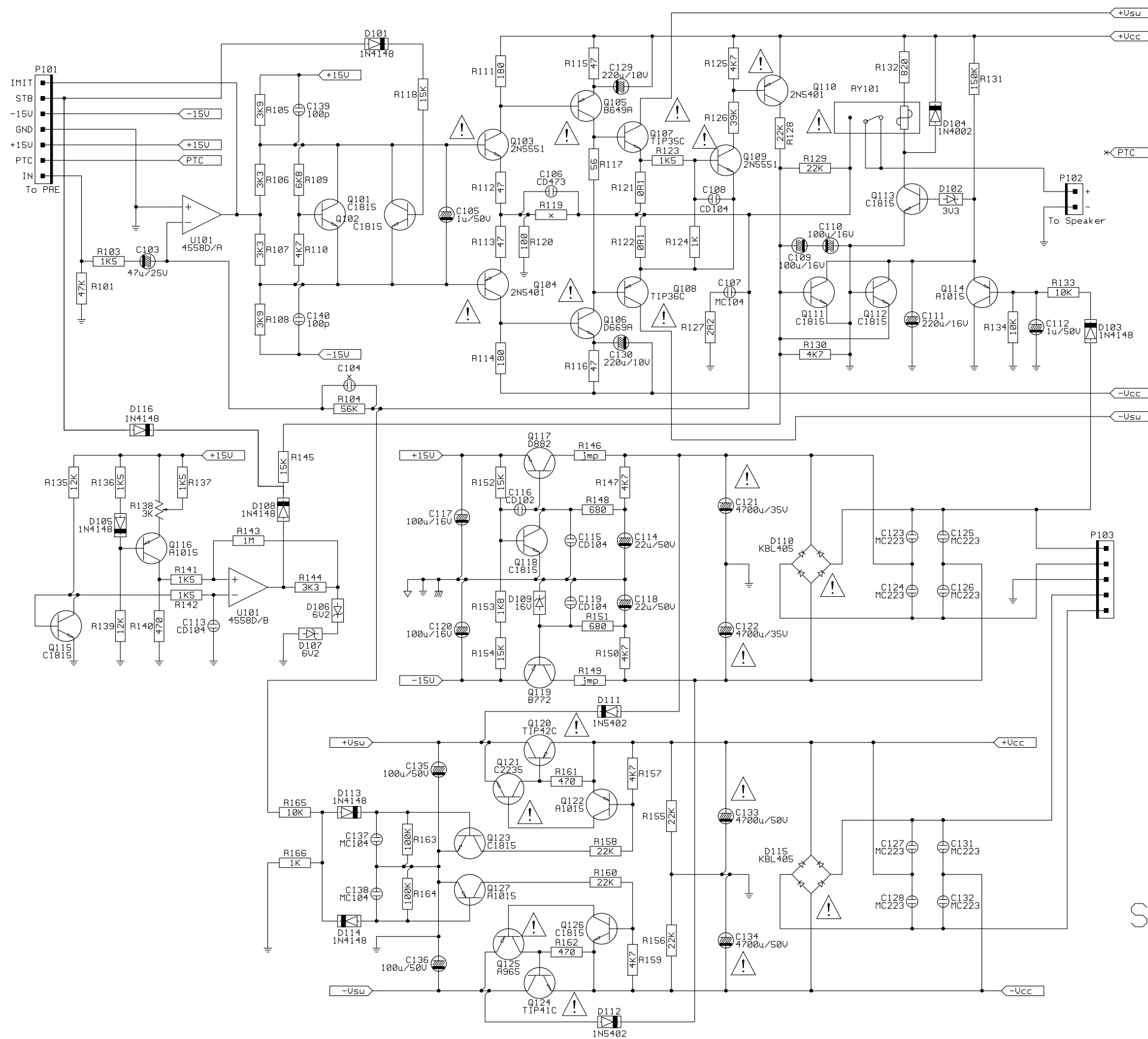
124		19510204hgw	LED 204HW	1	
125		19700kb1405	Diode 4A 500V KBL405	2	D110,5
126		197101n4002	Ziode 1N4002	1	D104
127		197101n5402	Ziode 1N5402	2	D111,2
128		197131n4148	Ziode 1N4148	1	D116
129		1302g472md00	Disc Capacitor 4700P 400V $\pm 20\%$	1	
130		150e8604106	Power Transformer EI-86 230V/50Hz	1	
131		152v60202601	Line Cord SP-021B 6FT VDE	1	
132		154v12506t0	Fuse TSD 1.25A 250V VDE	1	
133		155520020	Fuse Holder R3-11	1	
134		180psdd11a2	Switch	1	

SCS138 . SCH SCS178 . SCH
MAY . 19 . 2001

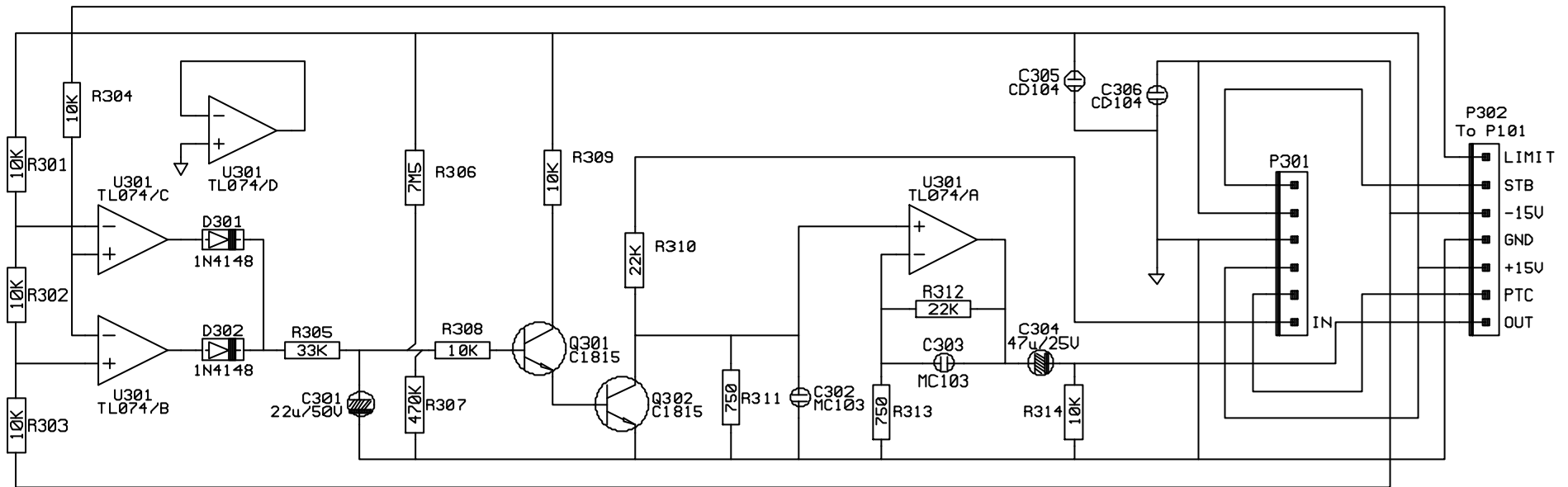


Limiter
Circuit





SCS178.SCH
 SCS138.SCH
 SEP-30-2001



SCS135.SCH NEW LIMITER

