

**LV23000M****Single-Chip Tuner IC for Radio/Cassette Players****Overview**

The LV23000M is a single-chip tuner IC for radio/cassette players that provides FM, AM, MPX, and PLL circuits. It allows the tuner PCB to be simplified significantly.

Functions

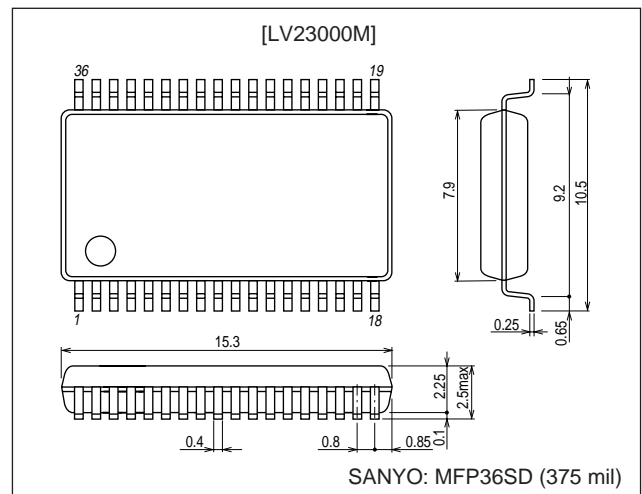
- AM tuner
- FM tuner
- Multiplex stereo decoder
- PLL frequency synthesizer

Features

- Tuner circuit includes built-in PLL for easy end product design.
- Supports FCC standards
- Built-in adjustment-free multiplex VCO
- AM low-cut control
- Provides the transistor required to implement an active low-pass filter.

Package Dimensions

unit: mm

3129-MFP36SD

- CCB is a trademark of SANYO ELECTRIC CO., LTD.
- CCB is SANYO's original bus format and all the bus addresses are controlled by SANYO.

- Any and all SANYO products described or contained herein do not have specifications that can handle applications that require extremely high levels of reliability, such as life-support systems, aircraft's control systems, or other applications whose failure can be reasonably expected to result in serious physical and/or material damage. Consult with your SANYO representative nearest you before using any SANYO products described or contained herein in such applications.
- SANYO assumes no responsibility for equipment failures that result from using products at values that exceed, even momentarily, rated values (such as maximum ratings, operating condition ranges, or other parameters) listed in products specifications of any and all SANYO products described or contained herein.

SANYO Electric Co.,Ltd. Semiconductor Company

TOKYO OFFICE Tokyo Bldg., 1-10, 1 Chome, Ueno, Taito-ku, TOKYO, 110-8534 JAPAN

LV2300M

Specifications

Maximum Ratings at $T_a = 25^\circ\text{C}$

Parameter	Symbol	Conditions	Ratings	Unit
Maximum supply voltage	V_{CC} max	V_{CC}	7.0	V
	V_{DD} max	V_{DD}	7.0	V
Maximum input voltage	V_{IN1} max	CE, DI, CL	7.0	V
	V_{IN2} max	XIN	$V_{DD} + 0.3$	V
Allowable power dissipation	P_{dmax}	$T_a \leq 70^\circ\text{C}^*$	400	mW
Maximum output voltage	V_{O1} max	DO	7.0	V
	V_{O2} max	XOUT, PD	$V_{DD} + 0.3$	V
	V_{O3} max	BO1, BO2, AOUT	12.0	V
Operating temperature	T_{opr}		-20 to +70	$^\circ\text{C}$
Storage temperature	T_{stg}		-40 to +125	$^\circ\text{C}$

Note: * When mounted on a $114.3 \times 76.1 \times 1.6$ mm glass epoxy printed circuit board.

Operating Conditions at $T_a = 25^\circ\text{C}$

Parameter	Symbol	Conditions	Ratings	Unit
Recommended supply voltage	V_{CC}		5.0	V
	V_{DD}		3.0	V
Operating supply voltage range	V_{CC} op		4.0 to 6.0	V
	V_{DD} op		2.5 to 3.6	V

PLL Block Allowable Operating Ranges at $T_a = -20$ to $+70^\circ\text{C}$, $V_{SS} = 0$ V

Parameter	Symbol	Conditions	Ratings			Unit
			min	typ	max	
Supply voltage	V_{DD}		2.5		3.6	V
High-level input voltage	V_{IH}	CE, CL, DI	$0.7V_{DD}$		6.0	V
Low-level input voltage	V_{IL}	CE, CL, DI	0		$0.3V_{DD}$	V
Output voltage	V_{O1}	DO	0		6.0	V
	V_{O2}	BO1, BO2, AOUT	0		10	V
Operating frequency	f_{IN1}	XIN: V_{IN1}		75		kHz
	f_{IN2}	FMIN: V_{IN2}	10		160	MHz
	f_{IN3}	AMIN (SNS = 1): V_{IN3}	2		40	MHz
	f_{IN4}	AMIN (SNS = 0): V_{IN4}	0.5		10	MHz

Note: The XIN pin has an extremely high input impedance, which may result in current leakage problems.

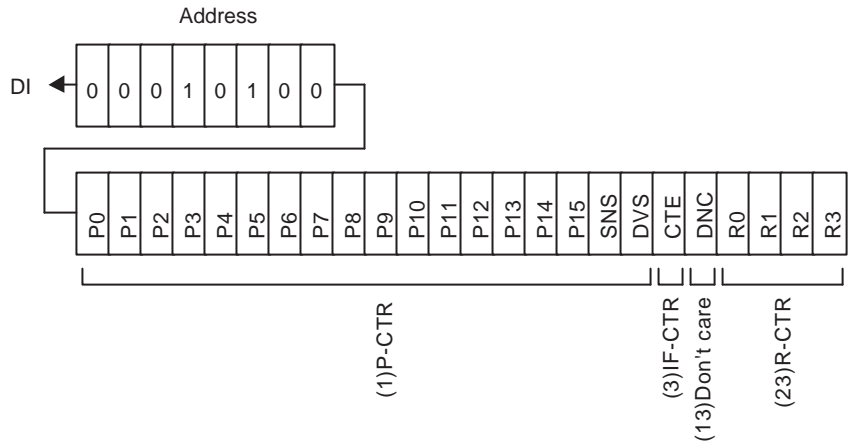
LV2300M

**Operating Characteristics at $T_a = 25^\circ\text{C}$, $V_{CC} = 5.0\text{ V}$, $V_{DD} = 3.0\text{ V}$,
in the specified test circuit, using Yamaichi Electronics socket IC51-0362-736**

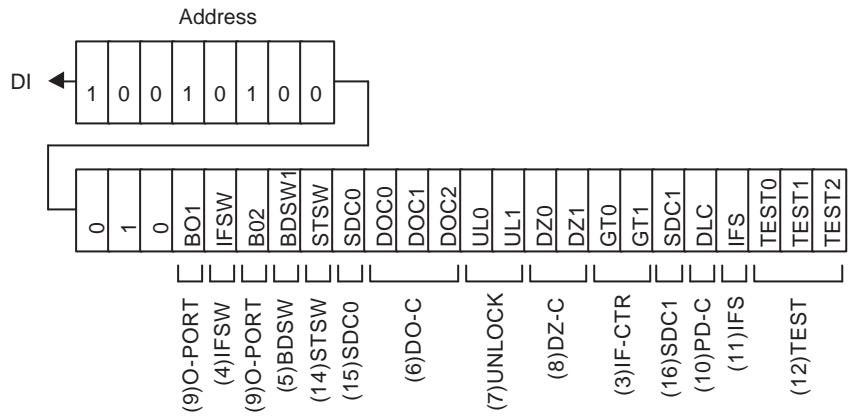
Parameter	Symbol	Conditions	Ratings			Unit
			min	typ	max	
[FM Front End Characteristics] : $f_c = 98\text{ MHz}$, $f_m = 1\text{ kHz}$, 22.5 kHzdev .						
3 dB sensitivity	3 dB LS	60 dB μV EMF, referenced to a 22.5 kHz dev. output, -3 dB input		12		dB μV EMF
Practical sensitivity	QS	For a 30 dB signal-to-noise ratio input		12		dB μV EMF
[FM IF Monaural Characteristics] : $f_c = 10.7\text{ MHz}$, $f_m = 1\text{ kHz}$, 75 kHzdev .						
Demodulator output	V_O	100 dB μV V, the pin 12 output	210	330	420	mVrms
Signal-to-noise ratio	S/N	100 dB μV V, the pin 12 output	68	75		dB
Total harmonic distortion (mono)	THD	100 dB μV V, the pin 12 output		0.3	1.5	%
3 dB sensitivity	3 dB LS	100 dB μV V, referenced to a 75 kHz dev. output, -3 dB input		38	44	dB μV
IF counter sensitivity	IF-C3	SDC0 = 1, SDC1 = 0, the pin 18 (DO) output	41	51	61	dB μV
Muting attenuation	Mute-Att	100 dB μV V, the pin 12 output		68		dB
[FM IF Stereo Characteristics] : $f_c = 10.7\text{ MHz}$, $f_m = 1\text{ kHz}$, L+R = 90%, Pilot = 10%						
Separation	SEP	100 dB μV V, L-mod, Pin 12 output/pin 13 output	28	40		dB
Total harmonic distortion (main)	THD	100 dB μV V, main modulation, the pin 12 output		0.5	1.5	%
[AM Characteristics] : $f_c = 1000\text{ kHz}$, $f_m = 1\text{ kHz}$, 30% mod						
Detector output 1	V_{O1}	23 dB μV V, the pin 12 output	20	40	80	mVrms
Detector output 2	V_{O2}	80 dB μV V, the pin 12 output	60	110	160	mVrms
Signal-to-noise ratio 1	S/N1	23 dB μV V, the pin 12 output	1.5	20		dB
Signal-to-noise ratio 2	S/N2	80 dB μV V, the pin 12 output	47	54		dB
Total harmonic distortion	THD	80 dB μV V, the pin 12 output		1.2	3.0	%
IF counter sensitivity	IF-C	The pin 18 (DO) output	16	26	36	dB μV
AM low cut	LOW-CUT	80 dB μV V, referenced to $f_m = 1\text{ kHz}$, the pin 12 output when $f_m = 100\text{ Hz}$.	5	8	11	dB
[Current Drain]						
FM tuner block	I_{CCFM}	In FM mode with no input	20	30	40	mA
AM tuner block	I_{CCAM}	In AM mode with no input	10	20	30	mA
PLL block	I_{DD}	$f_r = 83\text{ MHz}$, $X'tal = 75\text{ kHz}$, With no input to the tuner block	1	2	5	mA
[PLL Characteristics]						
Built-in feedback resistor	R_f	XIN		8		M Ω
Built-in output resistor	R_d	XOUT		250		k Ω
Hysteresis	V_{HIS}	CE, CL, DI		$0.1V_{DD}$		V
High-level output voltage	V_{OH}	PD: $I_O = -1\text{ mA}$	$V_{DD} - 1.0$			V
Low-level output voltage	V_{OL1}	PD: $I_O = 1\text{ mA}$			1.0	V
	V_{OL2}	BO1, BO2: $I_O = 1\text{ mA}$			0.25	V
	V_{OL2}	BO1, BO2: $I_O = 5\text{ mA}$			1.25	V
	V_{OL3}	DO: $I_O = 1\text{ mA}$			0.25	V
	V_{OL4}	AOUT: $I_O = 1\text{ mA}$, AIN = 2.0 V			0.5	V
High-level input current	I_{IH1}	CE, CL, DI: $V_I = 6.0\text{ V}$			5.0	μA
	I_{IH2}	XIN: $V_I = V_{DD}$	0.16		0.9	μA
	I_{IH3}	AIN: $V_I = 6.0\text{ V}$			200	nA
Low-level input current	I_{IL1}	CE, CL, DI: $V_I = 0\text{ V}$			5.0	μA
	I_{IL2}	XIN: $V_I = 0\text{ V}$	0.16		0.9	μA
	I_{IL3}	AIN: $V_I = 0\text{ V}$			200	nA
Output leakage current	I_{OFF1}	AOUT, BO1, BO2: $V_O = 10\text{ V}$			5.0	μA
	I_{OFF2}	DO: $V_O = 6.0\text{ V}$			5.0	μA
High-level 3-state off leakage current	I_{OFFH}	PD: $V_O = 6.0\text{ V}$		0.01	200	nA
Low-level 3-state off leakage current	I_{OFFL}	PD: $V_O = 0\text{ V}$		0.01	200	nA

Structure of the DI Control Data (Serial Input Data)

(1) IN1 mode



(2) IN2 mode



Description of the DI Control Data

No.	Control block/data	Description	Related data																																																																																					
(1)	<p>Programmable divider data</p> <p>P0 to P15 DVS, SNS</p>	<ul style="list-style-type: none"> Specifies the divisor used by the programmable dividers. This is a binary value with P15 as the MSB. The LSB depends on DVS and SNS. <table border="1"> <thead> <tr> <th>DVS</th> <th>SNS</th> <th>LSB</th> <th>Divisor setting (N)</th> <th>Actual divisor</th> </tr> </thead> <tbody> <tr> <td>1</td> <td>*</td> <td>P0</td> <td>272 to 65535</td> <td>The actual setting times 2</td> </tr> <tr> <td>0</td> <td>1</td> <td>P0</td> <td>272 to 65535</td> <td>The actual setting</td> </tr> <tr> <td>0</td> <td>0</td> <td>P4</td> <td>4 to 4095</td> <td>The actual setting</td> </tr> </tbody> </table> <p>Note: When P4 is the LSB, bits P0 to P3 are ignored.</p> <ul style="list-style-type: none"> Selects the input signal (FMIN or AMIN) to the programmable divider and switches the input frequency range. (* : don't care) <table border="1"> <thead> <tr> <th>DVS</th> <th>SNS</th> <th>Input</th> <th>Operating frequency range</th> </tr> </thead> <tbody> <tr> <td>1</td> <td>*</td> <td>FMIN</td> <td>10 to 160 MHz</td> </tr> <tr> <td>0</td> <td>1</td> <td>AMIN</td> <td>2 to 40 MHz</td> </tr> <tr> <td>0</td> <td>0</td> <td>AMIN</td> <td>0.5 to 10 MHz</td> </tr> </tbody> </table>	DVS	SNS	LSB	Divisor setting (N)	Actual divisor	1	*	P0	272 to 65535	The actual setting times 2	0	1	P0	272 to 65535	The actual setting	0	0	P4	4 to 4095	The actual setting	DVS	SNS	Input	Operating frequency range	1	*	FMIN	10 to 160 MHz	0	1	AMIN	2 to 40 MHz	0	0	AMIN	0.5 to 10 MHz																																																		
DVS	SNS	LSB	Divisor setting (N)	Actual divisor																																																																																				
1	*	P0	272 to 65535	The actual setting times 2																																																																																				
0	1	P0	272 to 65535	The actual setting																																																																																				
0	0	P4	4 to 4095	The actual setting																																																																																				
DVS	SNS	Input	Operating frequency range																																																																																					
1	*	FMIN	10 to 160 MHz																																																																																					
0	1	AMIN	2 to 40 MHz																																																																																					
0	0	AMIN	0.5 to 10 MHz																																																																																					
(2)	<p>Reference divider data</p> <p>R0 to R3</p>	<ul style="list-style-type: none"> Data that selects the reference frequency (fref) <table border="1"> <thead> <tr> <th>R3</th> <th>R2</th> <th>R1</th> <th>R0</th> <th>Reference frequency</th> </tr> </thead> <tbody> <tr><td>0</td><td>0</td><td>0</td><td>0</td><td>25 kHz</td></tr> <tr><td>0</td><td>0</td><td>0</td><td>1</td><td>25 kHz</td></tr> <tr><td>0</td><td>0</td><td>1</td><td>0</td><td>25 kHz</td></tr> <tr><td>0</td><td>0</td><td>1</td><td>1</td><td>25 kHz</td></tr> <tr><td>0</td><td>1</td><td>0</td><td>0</td><td>12.5 kHz</td></tr> <tr><td>0</td><td>1</td><td>0</td><td>1</td><td>6.25 kHz</td></tr> <tr><td>0</td><td>1</td><td>1</td><td>0</td><td>3.125 kHz</td></tr> <tr><td>0</td><td>1</td><td>1</td><td>1</td><td>3.125 kHz</td></tr> <tr><td>1</td><td>0</td><td>0</td><td>0</td><td>5 kHz</td></tr> <tr><td>1</td><td>0</td><td>0</td><td>1</td><td>5 kHz</td></tr> <tr><td>1</td><td>0</td><td>1</td><td>0</td><td>5 kHz</td></tr> <tr><td>1</td><td>0</td><td>1</td><td>1</td><td>1 kHz</td></tr> <tr><td>1</td><td>1</td><td>0</td><td>0</td><td>3 kHz</td></tr> <tr><td>1</td><td>1</td><td>0</td><td>1</td><td>15 kHz</td></tr> <tr><td>1</td><td>1</td><td>1</td><td>0</td><td>PLL INHIBIT + X'tal OSC STOP</td></tr> <tr><td>1</td><td>1</td><td>1</td><td>1</td><td>PLL INHIBIT</td></tr> </tbody> </table> <p>Note: PLL INHIBIT</p> <ul style="list-style-type: none"> In this state, the programmable divider block and the IF counter block are stopped, FMIN, AMIN, and IFIN are pulled down (to ground), and the charge pump goes to the high-impedance state. 	R3	R2	R1	R0	Reference frequency	0	0	0	0	25 kHz	0	0	0	1	25 kHz	0	0	1	0	25 kHz	0	0	1	1	25 kHz	0	1	0	0	12.5 kHz	0	1	0	1	6.25 kHz	0	1	1	0	3.125 kHz	0	1	1	1	3.125 kHz	1	0	0	0	5 kHz	1	0	0	1	5 kHz	1	0	1	0	5 kHz	1	0	1	1	1 kHz	1	1	0	0	3 kHz	1	1	0	1	15 kHz	1	1	1	0	PLL INHIBIT + X'tal OSC STOP	1	1	1	1	PLL INHIBIT	
R3	R2	R1	R0	Reference frequency																																																																																				
0	0	0	0	25 kHz																																																																																				
0	0	0	1	25 kHz																																																																																				
0	0	1	0	25 kHz																																																																																				
0	0	1	1	25 kHz																																																																																				
0	1	0	0	12.5 kHz																																																																																				
0	1	0	1	6.25 kHz																																																																																				
0	1	1	0	3.125 kHz																																																																																				
0	1	1	1	3.125 kHz																																																																																				
1	0	0	0	5 kHz																																																																																				
1	0	0	1	5 kHz																																																																																				
1	0	1	0	5 kHz																																																																																				
1	0	1	1	1 kHz																																																																																				
1	1	0	0	3 kHz																																																																																				
1	1	0	1	15 kHz																																																																																				
1	1	1	0	PLL INHIBIT + X'tal OSC STOP																																																																																				
1	1	1	1	PLL INHIBIT																																																																																				
(3)	<p>IF counter control data</p> <p>CTE GT0, GT1</p>	<ul style="list-style-type: none"> Measurement start data for the IF counter CTE = 1: Start the count. = 0: Reset the counter. Determines the measurement time for the general-purpose counter. <table border="1"> <thead> <tr> <th>GT0</th> <th>GT1</th> <th>Measurement time</th> <th>Wait time</th> </tr> </thead> <tbody> <tr> <td>0</td> <td>0</td> <td>4 ms</td> <td>3 to 4 ms</td> </tr> <tr> <td>0</td> <td>1</td> <td>8 ms</td> <td>3 to 4 ms</td> </tr> <tr> <td>1</td> <td>0</td> <td>16 ms</td> <td>3 to 4 ms</td> </tr> <tr> <td>1</td> <td>1</td> <td>32 ms</td> <td>3 to 4 ms</td> </tr> </tbody> </table>	GT0	GT1	Measurement time	Wait time	0	0	4 ms	3 to 4 ms	0	1	8 ms	3 to 4 ms	1	0	16 ms	3 to 4 ms	1	1	32 ms	3 to 4 ms	IFS																																																																	
GT0	GT1	Measurement time	Wait time																																																																																					
0	0	4 ms	3 to 4 ms																																																																																					
0	1	8 ms	3 to 4 ms																																																																																					
1	0	16 ms	3 to 4 ms																																																																																					
1	1	32 ms	3 to 4 ms																																																																																					

Continued on next page.

LV2300M

Continued from preceding page.

No.	Control block/data	Description	Related data																																				
(4)	Mute control data IFSW	<ul style="list-style-type: none"> Determines the output of the IFSW output port and controls the muting function. Data = 0: Receive mode = 1: Muted 																																					
(5)	FM/AM band switching control data BDSW	<ul style="list-style-type: none"> Determines the output of the BDSW output port and switches the reception band. Data = 0: AM = 1: FM 																																					
(6)	DO pin control data DOC0 DOC1 DOC2	<ul style="list-style-type: none"> Determines the output of the DO pin. <table border="1" style="margin: 10px auto; border-collapse: collapse; text-align: center;"> <thead> <tr> <th>DOC2</th> <th>DOC1</th> <th>DOC0</th> <th>DO pin state</th> </tr> </thead> <tbody> <tr> <td>0</td> <td>0</td> <td>0</td> <td>Open</td> </tr> <tr> <td>0</td> <td>0</td> <td>1</td> <td>Low when the unlocked state is detected</td> </tr> <tr> <td>0</td> <td>1</td> <td>0</td> <td>end-UC (See the section indicated with the asterisk (*) below.)</td> </tr> <tr> <td>0</td> <td>1</td> <td>1</td> <td>Open</td> </tr> <tr> <td>1</td> <td>0</td> <td>0</td> <td>Open</td> </tr> <tr> <td>1</td> <td>0</td> <td>1</td> <td>Open</td> </tr> <tr> <td>1</td> <td>1</td> <td>0</td> <td>Low when stereo detected</td> </tr> <tr> <td>1</td> <td>1</td> <td>1</td> <td>Open</td> </tr> </tbody> </table> <ul style="list-style-type: none"> The open state is selected after the power on reset. <p>Note: end-UC: The IF counter measurement complete check.</p> <div style="text-align: center; margin: 10px 0;"> <p style="text-align: center;">① Count start ② Count end ③ CE : HI</p> </div> <ol style="list-style-type: none"> If the end-UC setting is used, the DO pin will automatically go to the open state when an IF count operation starts (CTE transitions from 0 to 1). When the IF counter measurement completes, the DO pin goes low and it becomes possible to check for the count completed state. The DO pin goes to the open state when serial data I/O is performed (when the CE pin is high). <p>Note: The DO pin goes to the open state during the data input period (IN1 and IN2 modes when CE is high), regardless of the values of the DO pin control data (DOC0:2). During the data output period (OUT mode when CE is high), the DO pin outputs the content of the internal DO serial data in synchronization with the CL signal, regardless of the values of the DO pin control data (DOC0:2).</p>	DOC2	DOC1	DOC0	DO pin state	0	0	0	Open	0	0	1	Low when the unlocked state is detected	0	1	0	end-UC (See the section indicated with the asterisk (*) below.)	0	1	1	Open	1	0	0	Open	1	0	1	Open	1	1	0	Low when stereo detected	1	1	1	Open	UL0, UL1 CTE
DOC2	DOC1	DOC0	DO pin state																																				
0	0	0	Open																																				
0	0	1	Low when the unlocked state is detected																																				
0	1	0	end-UC (See the section indicated with the asterisk (*) below.)																																				
0	1	1	Open																																				
1	0	0	Open																																				
1	0	1	Open																																				
1	1	0	Low when stereo detected																																				
1	1	1	Open																																				
(7)	Unlock detection data UL0, UL1	<ul style="list-style-type: none"> Phase error (ϕE) detection width selection data used for PLL lock state discrimination. The unlocked state is recognized when a phase error in excess of the specified detection width occurs. <table border="1" style="margin: 10px auto; border-collapse: collapse; text-align: center;"> <thead> <tr> <th>UL1</th> <th>UL0</th> <th>ϕE detection width</th> <th>Detection output</th> </tr> </thead> <tbody> <tr> <td>0</td> <td>0</td> <td>Stopped</td> <td>Open</td> </tr> <tr> <td>0</td> <td>1</td> <td>0</td> <td>Directly outputs ϕE</td> </tr> <tr> <td>1</td> <td>*</td> <td>$\pm 6.67 \mu$</td> <td>Extends ϕE by 1 to 2 ms</td> </tr> </tbody> </table> <p>Note: When the unlocked state is detected, the DO pin goes low and UL in the serial data output will be 0.</p>	UL1	UL0	ϕE detection width	Detection output	0	0	Stopped	Open	0	1	0	Directly outputs ϕE	1	*	$\pm 6.67 \mu$	Extends ϕE by 1 to 2 ms	DOC0 DOC1 DOC2																				
UL1	UL0	ϕE detection width	Detection output																																				
0	0	Stopped	Open																																				
0	1	0	Directly outputs ϕE																																				
1	*	$\pm 6.67 \mu$	Extends ϕE by 1 to 2 ms																																				

Continued on next page.

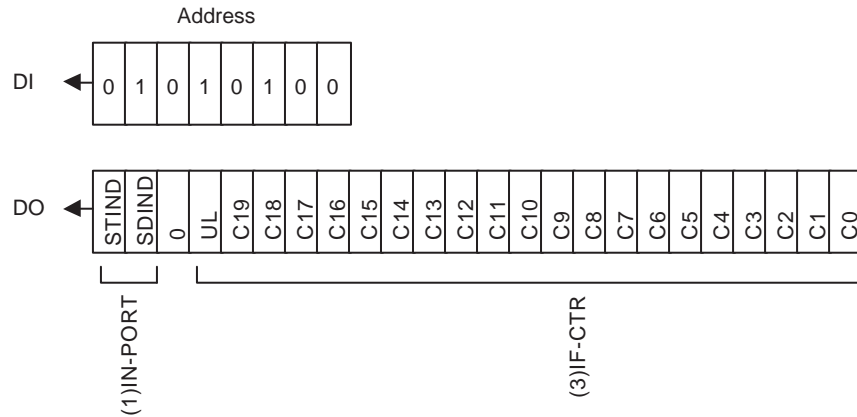
LV2300M

Continued from preceding page.

No.	Control block/data	Description	Related data															
(8)	Phase comparator control data DZ0, DZ1	<ul style="list-style-type: none"> Controls the phase comparator dead band. <table border="1" style="margin-left: auto; margin-right: auto;"> <thead> <tr> <th>DZ1</th> <th>DZ0</th> <th>Dead band mode</th> </tr> </thead> <tbody> <tr> <td style="text-align: center;">0</td> <td style="text-align: center;">0</td> <td style="text-align: center;">DZA</td> </tr> <tr> <td style="text-align: center;">0</td> <td style="text-align: center;">1</td> <td style="text-align: center;">DZB</td> </tr> <tr> <td style="text-align: center;">1</td> <td style="text-align: center;">0</td> <td style="text-align: center;">DZC</td> </tr> <tr> <td style="text-align: center;">1</td> <td style="text-align: center;">1</td> <td style="text-align: center;">DZD</td> </tr> </tbody> </table> <p>Dead band widths: DZA < DZB < DZC < DZD</p>	DZ1	DZ0	Dead band mode	0	0	DZA	0	1	DZB	1	0	DZC	1	1	DZD	
DZ1	DZ0	Dead band mode																
0	0	DZA																
0	1	DZB																
1	0	DZC																
1	1	DZD																
(9)	Output port data $\overline{BO1}$, $\overline{BO2}$	<ul style="list-style-type: none"> Sets the outputs from the $\overline{BO1}$ and $\overline{BO2}$ output ports. <p>Data = 0: Open = 1: Low</p>																
(10)	Charge pump control data DLC	<ul style="list-style-type: none"> Forcibly controls the state of the charge pump output. <table border="1" style="margin-left: auto; margin-right: auto;"> <thead> <tr> <th>DLC</th> <th>Charge pump output</th> </tr> </thead> <tbody> <tr> <td style="text-align: center;">0</td> <td style="text-align: center;">Normal operation</td> </tr> <tr> <td style="text-align: center;">1</td> <td style="text-align: center;">Forced to the low level.</td> </tr> </tbody> </table> <p>If deadlock occurs due to VCO oscillation when the VCO control voltage (Vtune) is 0 V, the deadlock can be released by setting the charge pump output low and setting Vtune to V_{CC}. (This is referred to as a deadlock clear circuit.)</p>	DLC	Charge pump output	0	Normal operation	1	Forced to the low level.										
DLC	Charge pump output																	
0	Normal operation																	
1	Forced to the low level.																	
(11)	IFS	<ul style="list-style-type: none"> This bit should normally be set to 1. However, setting this bit to 0 sets the device to degraded input sensitivity mode, and the input sensitivity is reduced by about 10 to 30 mV rms. 																
(12)	IC test data TEST0 to TEST2	<ul style="list-style-type: none"> IC test data <table style="margin-left: auto; margin-right: auto;"> <tr> <td style="border: none;">TEST0</td> <td rowspan="3" style="border: none; vertical-align: middle;">} All bits must be set to 0.</td> </tr> <tr> <td style="border: none;">TEST1</td> </tr> <tr> <td style="border: none;">TEST2</td> </tr> </table> <p>All these bits are set to 0 after the power on reset.</p>	TEST0	} All bits must be set to 0.	TEST1	TEST2												
TEST0	} All bits must be set to 0.																	
TEST1																		
TEST2																		
(13)	DNC	<ul style="list-style-type: none"> This bit must be set to 0. 																
(14)	Forced mono control data STSW	<ul style="list-style-type: none"> Determines the output of the STSW output port and controls the forced stereo function. <p>Data = 0: Mono = 1: Stereo</p>																
(15) (16)	SD sensitivity adjustment data SDC0 SDC1	<ul style="list-style-type: none"> Determines the outputs of the SDC0 and SDC1 ports and sets the SD sensitivity. <table border="1" style="margin-left: auto; margin-right: auto;"> <thead> <tr> <th>SDC0</th> <th>SDC1</th> <th>SD sensitivity (typ)</th> </tr> </thead> <tbody> <tr> <td style="text-align: center;">0</td> <td style="text-align: center;">0</td> <td style="text-align: center;">42 dBμV</td> </tr> <tr> <td style="text-align: center;">0</td> <td style="text-align: center;">1</td> <td style="text-align: center;">45 dBμV</td> </tr> <tr> <td style="text-align: center;">1</td> <td style="text-align: center;">0</td> <td style="text-align: center;">51 dBμV</td> </tr> <tr> <td style="text-align: center;">1</td> <td style="text-align: center;">1</td> <td style="text-align: center;">56 dBμV</td> </tr> </tbody> </table>	SDC0	SDC1	SD sensitivity (typ)	0	0	42 dB μ V	0	1	45 dB μ V	1	0	51 dB μ V	1	1	56 dB μ V	
SDC0	SDC1	SD sensitivity (typ)																
0	0	42 dB μ V																
0	1	45 dB μ V																
1	0	51 dB μ V																
1	1	56 dB μ V																

Structure of the DO Control Data (Serial Output Data)

(1) OUT mode



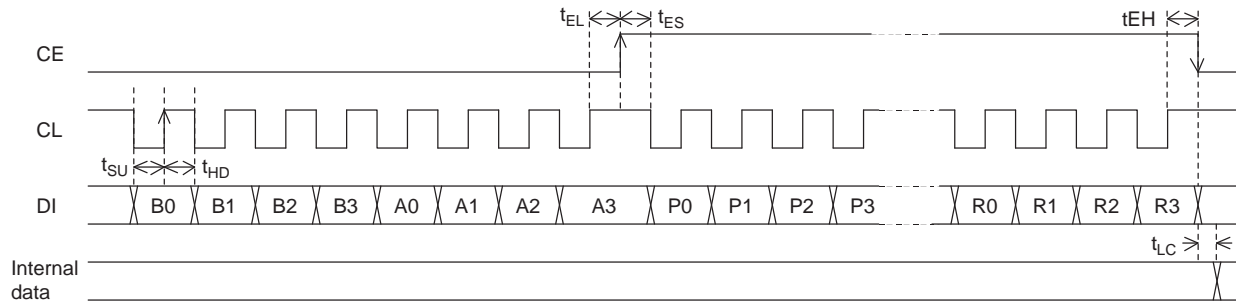
DO Output Data

No.	Control block/data	Description	Related data
(1)	Stereo indicator SD indicator Control data STIND, SDIND	<ul style="list-style-type: none"> Indicates the states of the stereo and SD indicators at the point latched. <p>The data is latched at the point the device goes to data output mode (OUT mode).</p> <p>STIND ← Stereo indicator state: 0: ST on, 1: ST off SDINC ← SD indicator state: 0: SD on, 1: SD off</p>	
(2)	PLL unlocked data UL	<ul style="list-style-type: none"> Indicates the state of the unlock detection circuit at the point latched. <p>UL ← 0: Unlocked 1: Locked or detection stopped mode.</p>	UL0 UL1
(3)	IF counter Binary counter C19 to C0	<ul style="list-style-type: none"> Indicates the content of the IF counter (20-bit binary counter) at the point latched. <p>C19 ← MSB of the binary counter C0 ← LSB of the binary counter</p>	CTE GT0 GT1

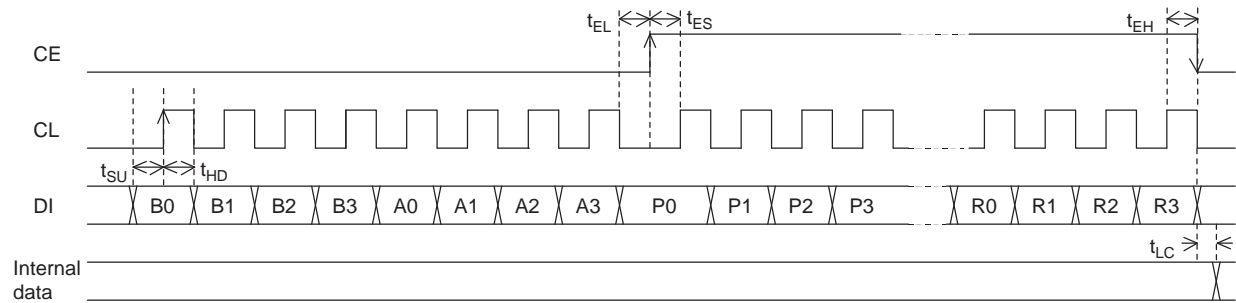
LV2300M

Serial Data Input (IN1 / IN2) $t_{SU}, t_{HD}, t_{EL}, t_{ES}, t_{EH} \geq 0.75\mu s, t_{LC} < 0.75\mu s$

(1) CL: Normally high

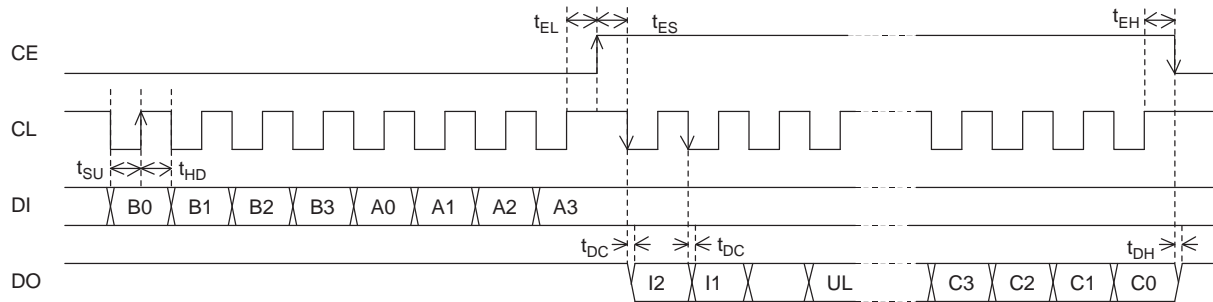


(2) CL: Normally low

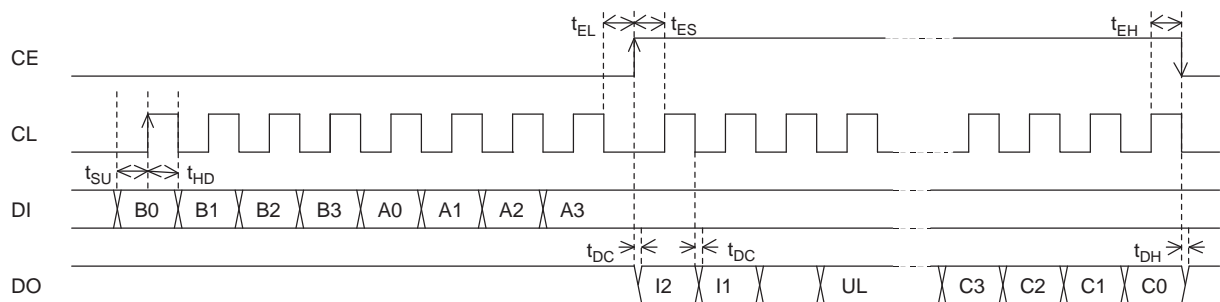


Serial Data Output (OUT) $t_{SU}, t_{HD}, t_{EL}, t_{ES}, t_{EH} \geq 0.75\mu s, t_{DC}, t_{DH} < 0.35\mu s$

(1) CL: Normally high

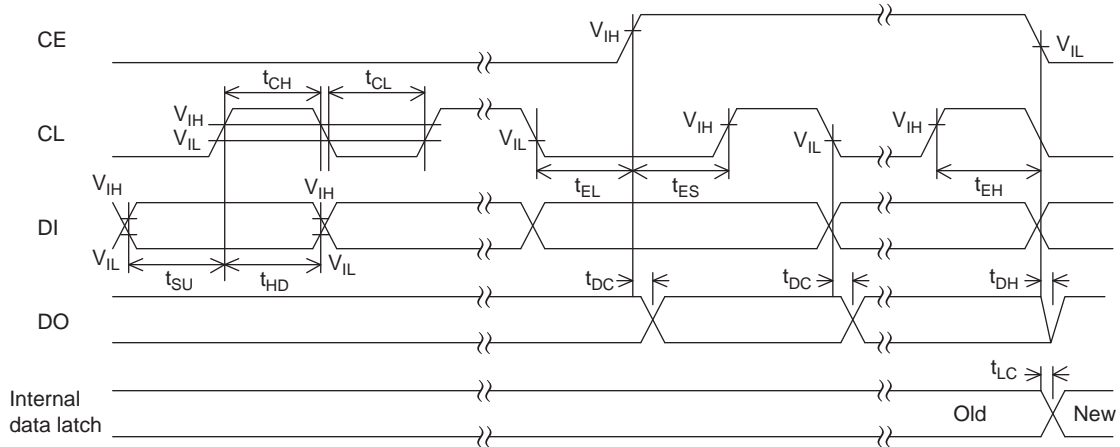


(2) CL: Normally low

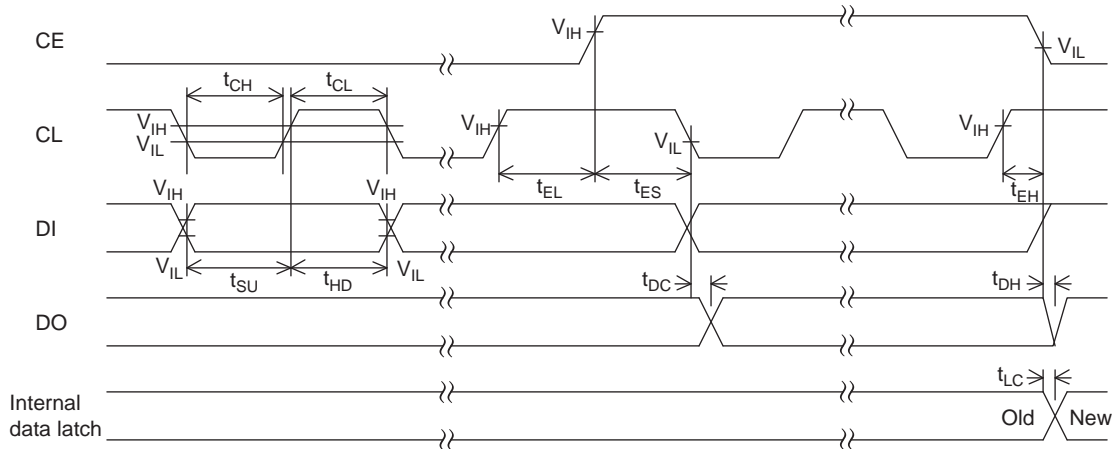


Note: Since the DO pin is an n-channel open-drain output, the data transition times (t_{DC} and t_{DH}) depend on the value of the pull-up resistor and the printed circuit board capacitance.

Serial Data Timing



<<When CL Stops at the Low Level>>

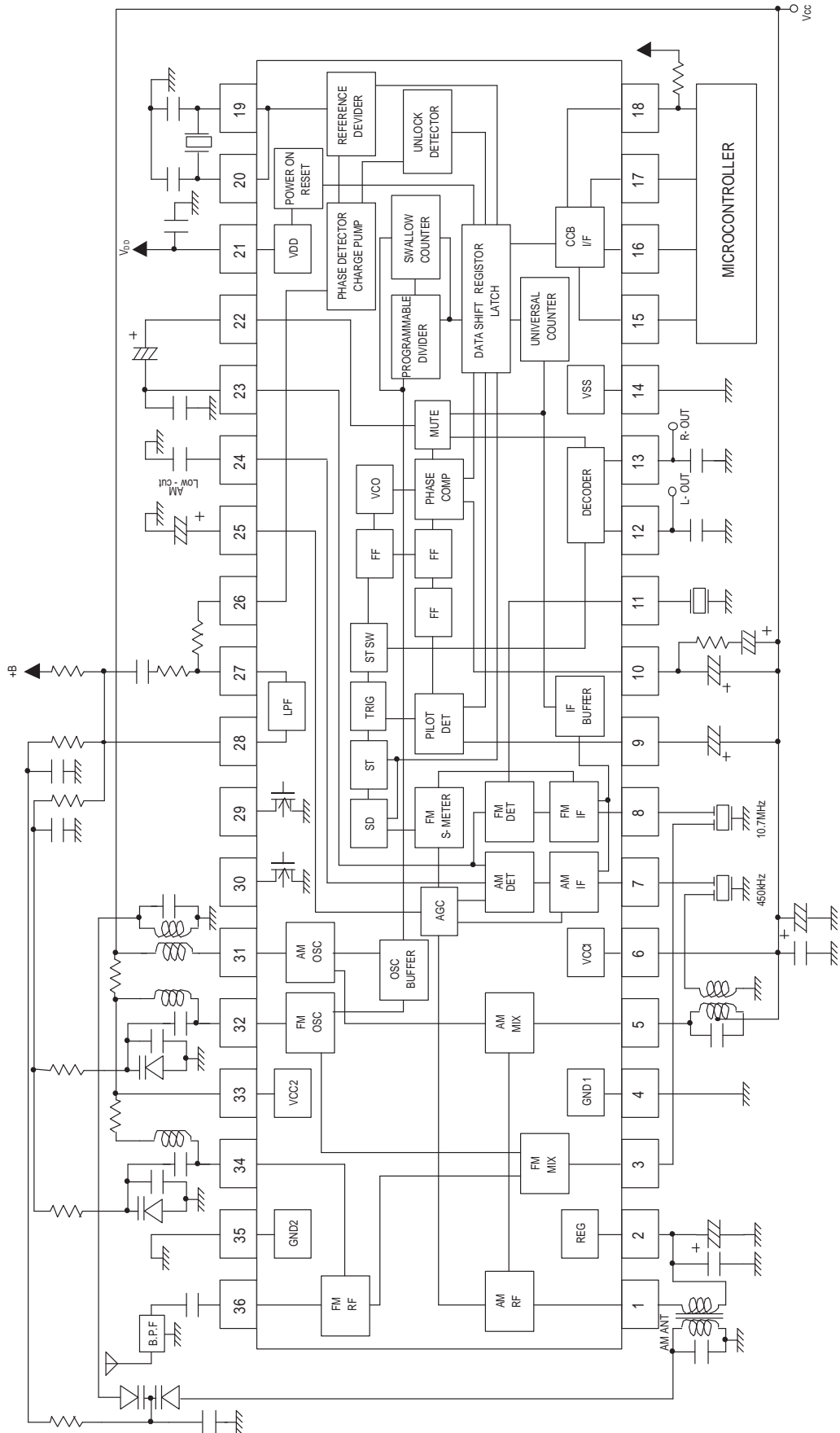


<<When CL Stops at the High Level>>

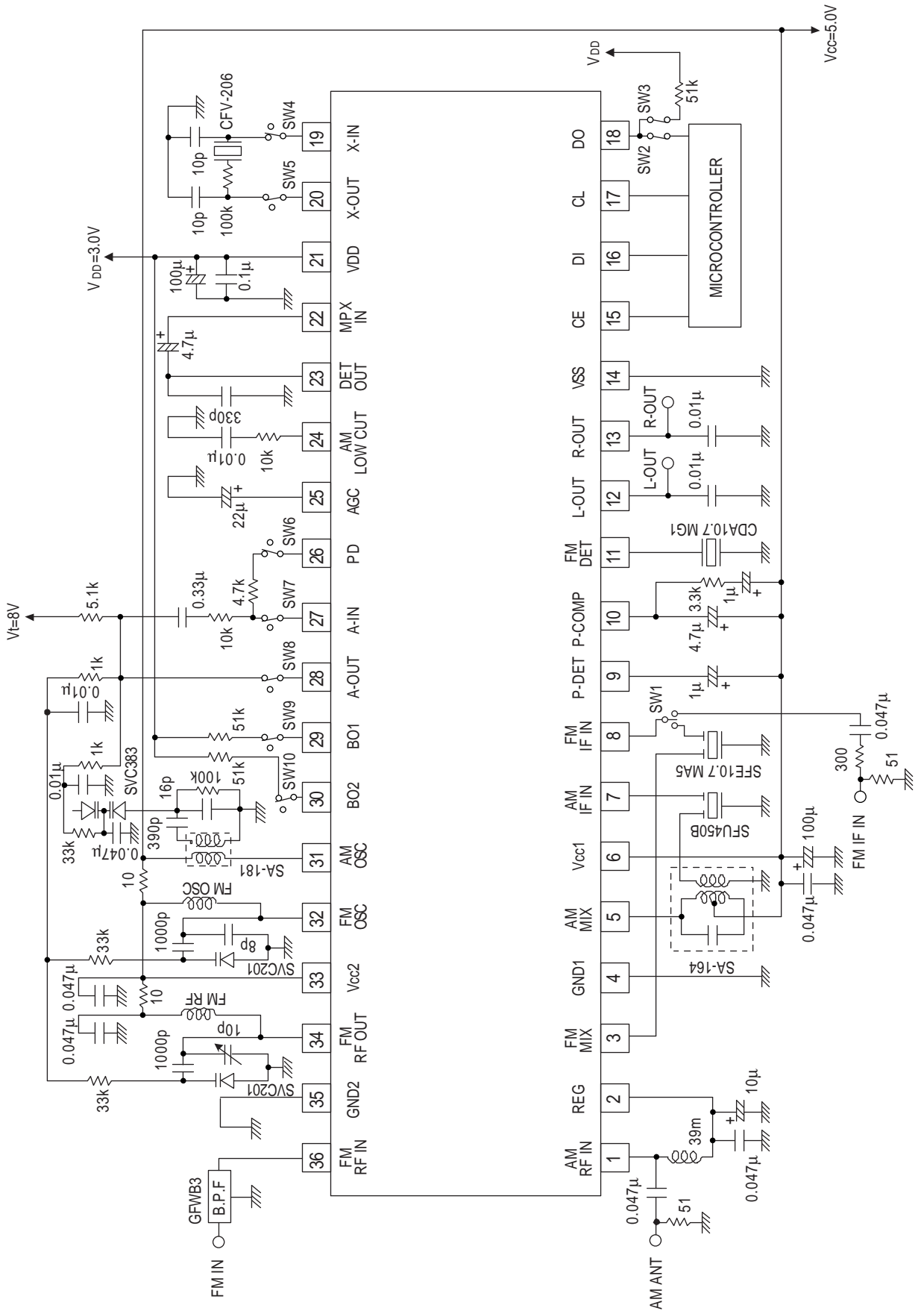
Parameter	Symbol	Pins	Conditions	Ratings			Unit
				min	typ	max	
Data setup time	t_{SU}	DI, CL		0.75			μs
Data hold time	t_{HD}	DI, CL		0.75			μs
Clock low-level time	t_{CL}	CL		0.75			μs
Clock high-level time	t_{CH}	CL		0.75			μs
CE wait time	t_{EL}	CE, CL		0.75			μs
CE setup time	t_{ES}	CE, CL		0.75			μs
CE hold time	t_{EH}	CE, CL		0.75			μs
Data latch transition time	t_{LC}					0.75	μs
Data output time	t_{DC}	DO, CL	These times depend on the value of the pull-up resistors and the printed circuit board capacitances.			0.35	μs
	t_{DH}	DO, CE					

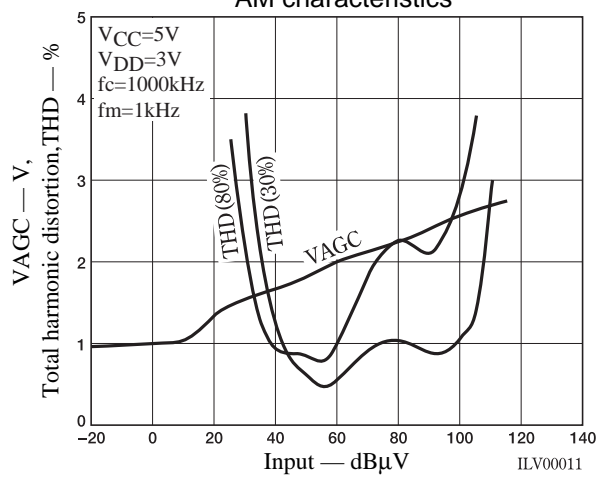
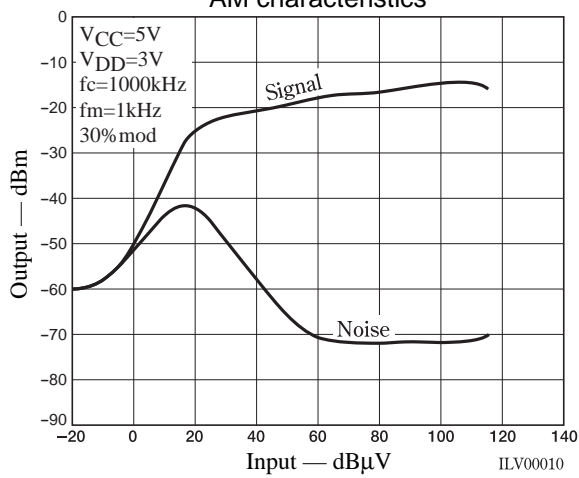
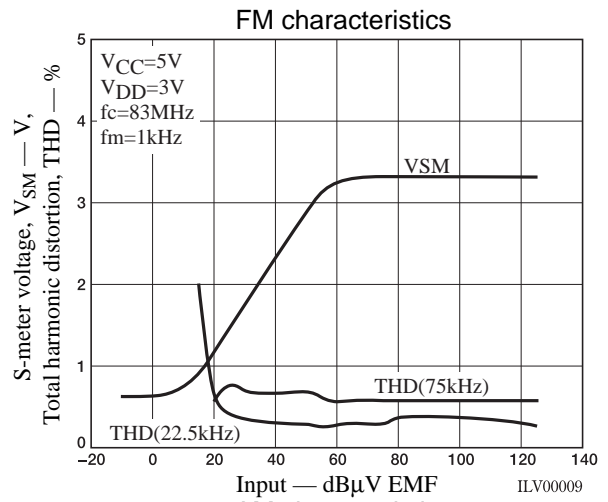
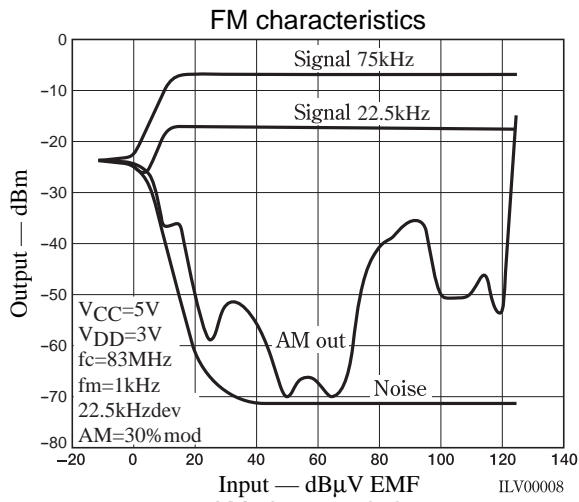
LV2300M

LV2300M Block Diagram



LV2300M Test Circuit Diagram





- Specifications of any and all SANYO products described or contained herein stipulate the performance, characteristics, and functions of the described products in the independent state, and are not guarantees of the performance, characteristics, and functions of the described products as mounted in the customer's products or equipment. To verify symptoms and states that cannot be evaluated in an independent device, the customer should always evaluate and test devices mounted in the customer's products or equipment.
- SANYO Electric Co., Ltd. strives to supply high-quality high-reliability products. However, any and all semiconductor products fail with some probability. It is possible that these probabilistic failures could give rise to accidents or events that could endanger human lives, that could give rise to smoke or fire, or that could cause damage to other property. When designing equipment, adopt safety measures so that these kinds of accidents or events cannot occur. Such measures include but are not limited to protective circuits and error prevention circuits for safe design, redundant design, and structural design.
- In the event that any or all SANYO products (including technical data, services) described or contained herein are controlled under any of applicable local export control laws and regulations, such products must not be exported without obtaining the export license from the authorities concerned in accordance with the above law.
- No part of this publication may be reproduced or transmitted in any form or by any means, electronic or mechanical, including photocopying and recording, or any information storage or retrieval system, or otherwise, without the prior written permission of SANYO Electric Co., Ltd.
- Any and all information described or contained herein are subject to change without notice due to product/technology improvement, etc. When designing equipment, refer to the "Delivery Specification" for the SANYO product that you intend to use.
- Information (including circuit diagrams and circuit parameters) herein is for example only; it is not guaranteed for volume production. SANYO believes information herein is accurate and reliable, but no guarantees are made or implied regarding its use or any infringements of intellectual property rights or other rights of third parties.

This catalog provides information as of June, 2001. Specifications and information herein are subject to change without notice.