

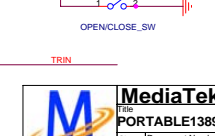
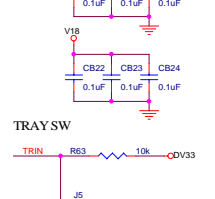
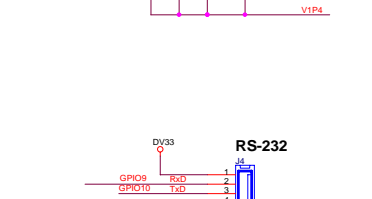
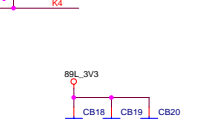
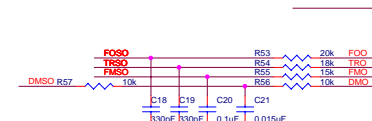
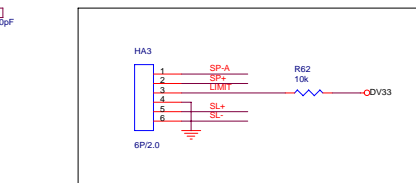
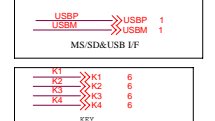
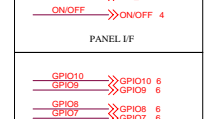
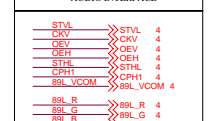
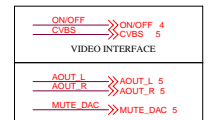
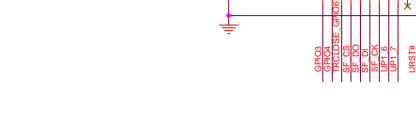
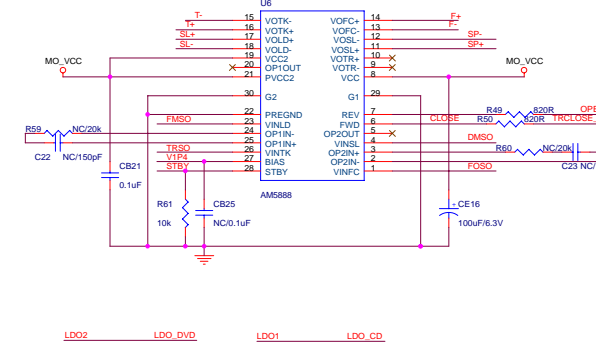
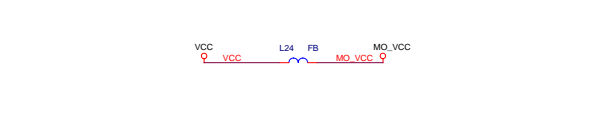
POWER		
DV33	>>>	DV33 1,3,5,6
RFV33	>>>	RFV33 1
V18	>>>	V18 1
VCC	>>>	VCC 1
AVCC	>>>	AVCC 1
URST#	>>>	URST# 1

DRAM		
DCLK	>>>	DCLK 3
CAS#	>>>	CAS# 3
RAS#	>>>	RAS# 3
WE#	>>>	WE# 3
BA0	>>>	BA0 3
BAT	>>>	BAT 3
MA0_11	>>>	MA0_11 3
DM0_11	>>>	DM0_11 3
DM0_15	>>>	DM0_15 3

S-FLASH		
SF_CK	>>>	SF_CK 3
SF_CS	>>>	SF_CS 3
SF_DI	>>>	SF_DI 3
SF_DO	>>>	SF_DO 3



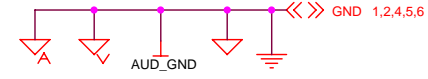
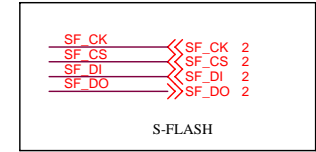
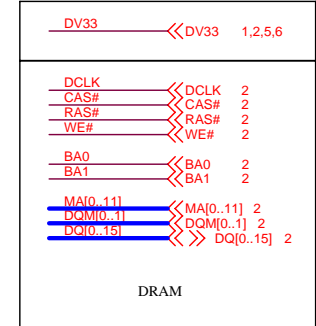
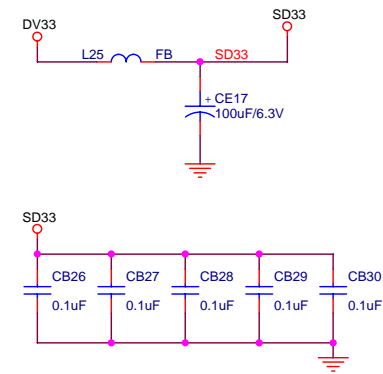
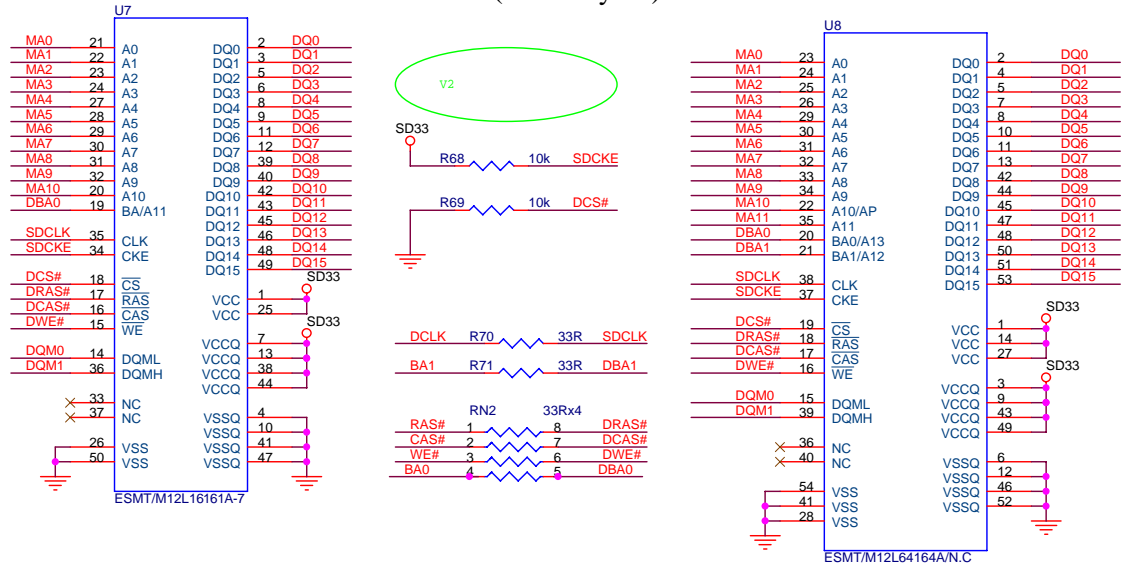
**CORETEK**

**MediaTek (ShenZhen) Inc.**

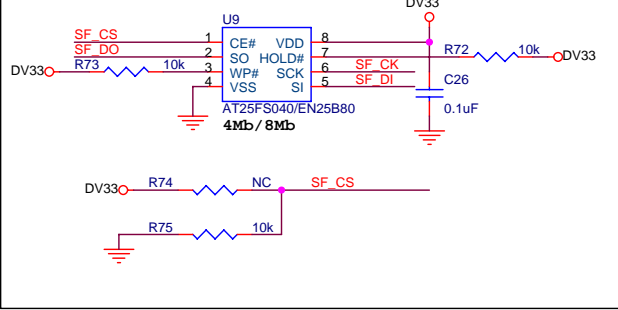
PORTABLE1389LP\_DM520A\_HOP1200W\_BA5954\_V2

Size	Document Number	Drawn:	2
Custom	04_MT1389LP_LQFP_128	Checked:	2
Date:	Wednesday, October 08, 2008	Sheet	2 of 6

## SDRAM (Dual Layout)



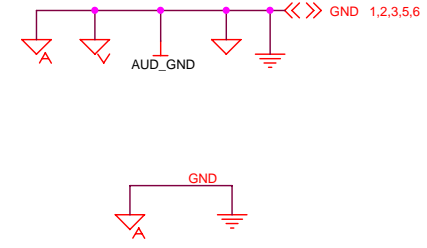
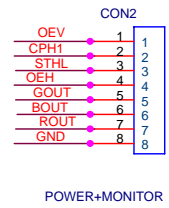
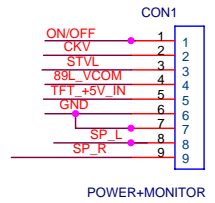
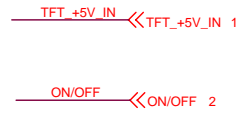
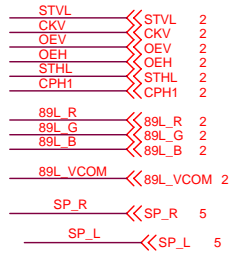
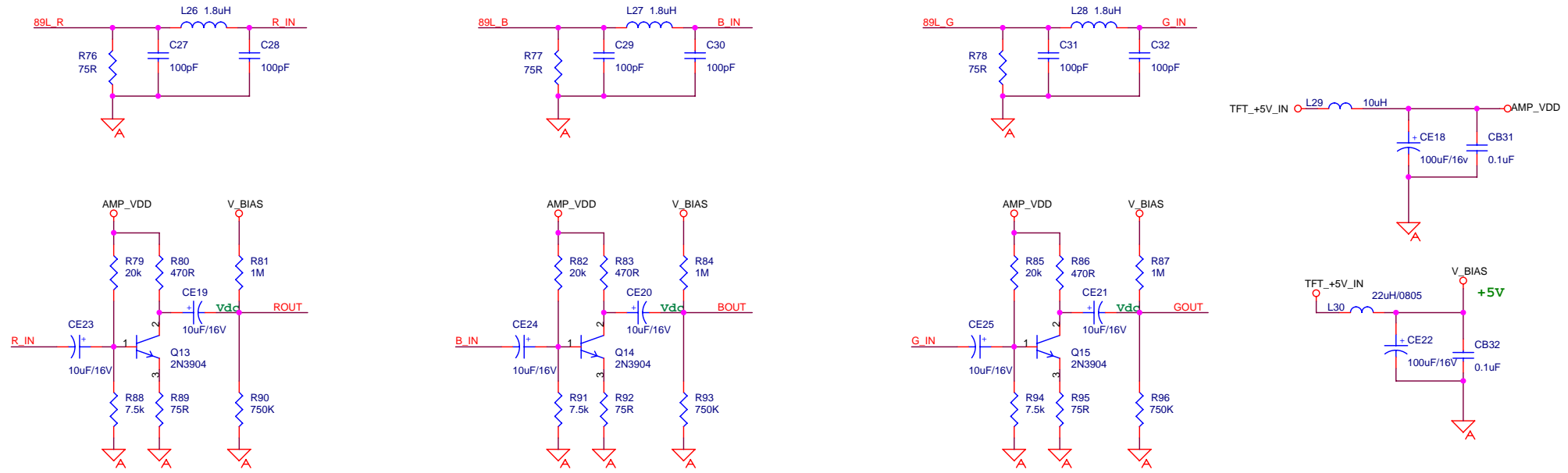
## S-FLASH



**CORETEK**

	<b>MediaTek (ShenZhen) Inc.</b>		
	Title: <b>PORTABLE1389LP_DM520A_HOP1200x_BA5954_V2</b>		
Size: Custom	Document Number: <b>05. SDRAM &amp; FLASH &amp; EEPROM</b>	Drawn: <i>dingruilin</i>	Rev: 2
Date: Wednesday, October 08, 2008	Checked:	Sheet: 3 of 6	

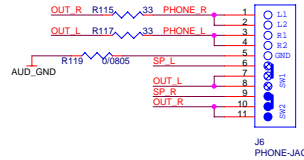
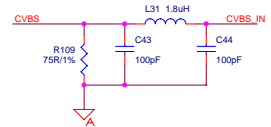
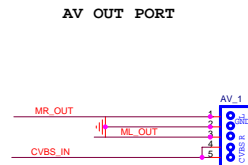
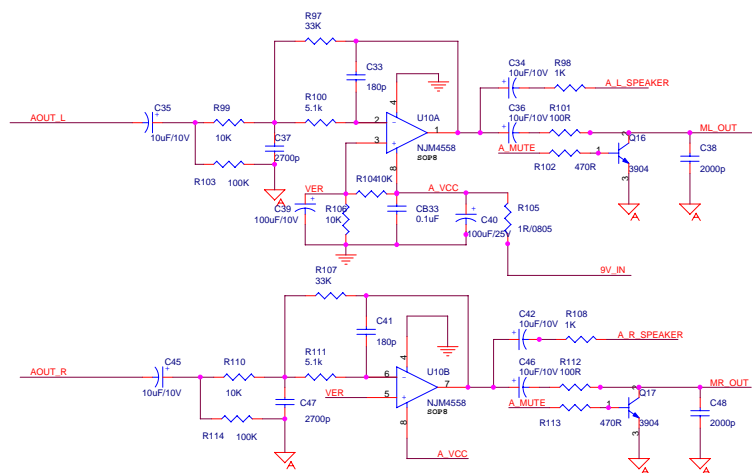
### BJT Amplifier for RGB Video



**CORETEK**

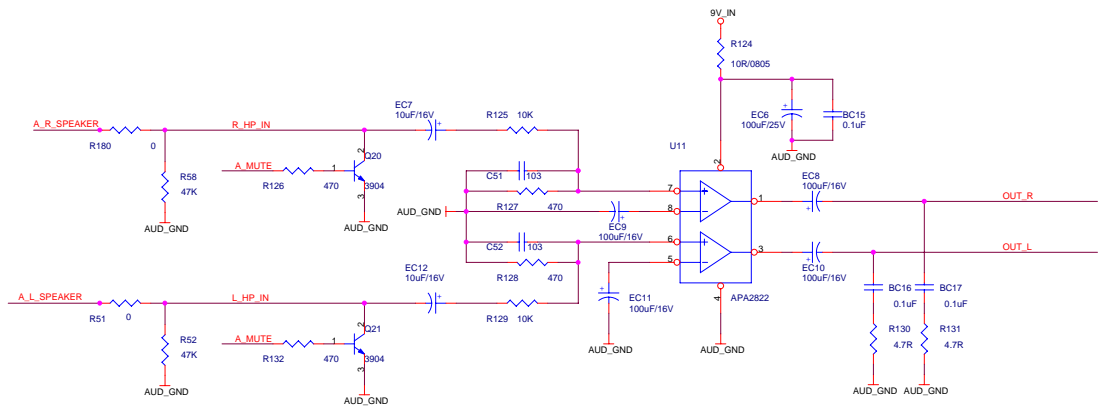
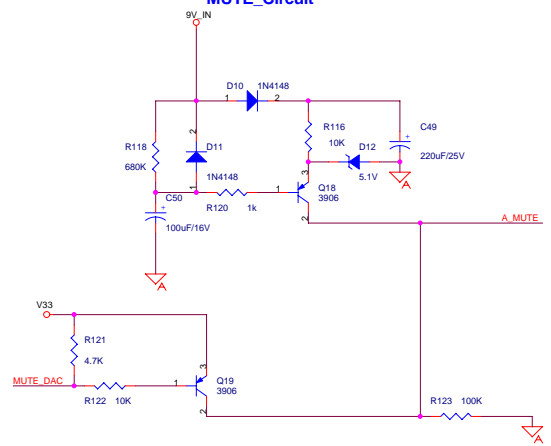
	<b>MediaTek (ShenZhen) Inc.</b>		
	Title: <b>PORTABLE1389LP_DM520A_HOP1200x_BA5954_V2</b>		
Size: B	Document Number: <b>08. PANEL I/F</b>	Drawn: <i>dingruilin</i>	Rev: 2
Date: Wednesday, October 08, 2008	Checked:	Sheet: 4	of: 6

- 2 CVBS >> CVBS
- 1,2,3,6 V33 >> V33
- 1 9V\_IN >> 9V\_IN
- 2 AOUT\_L >> AOUT\_L
- 2 AOUT\_R >> AOUT\_R
- 2 MUTE\_DAC >> MUTE\_DAC

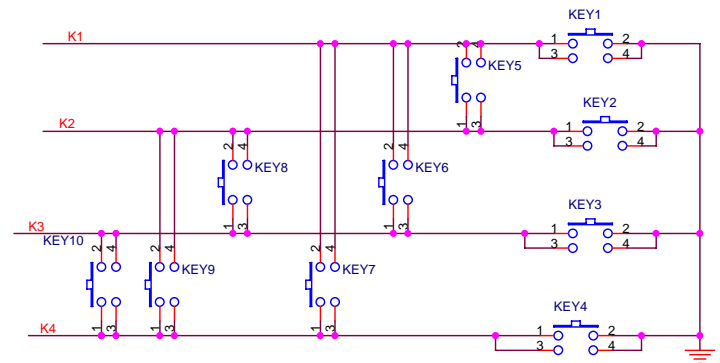
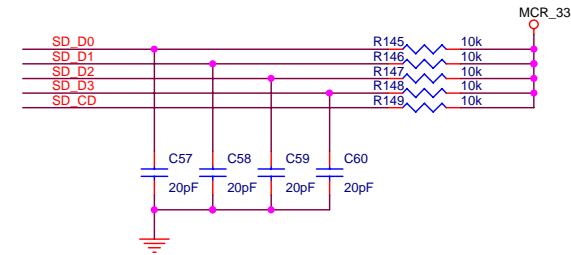
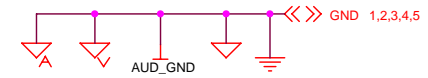
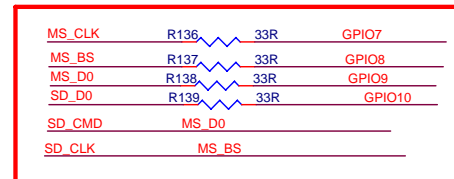
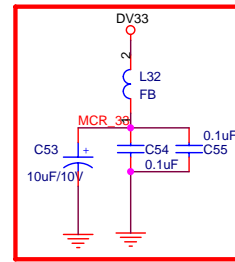
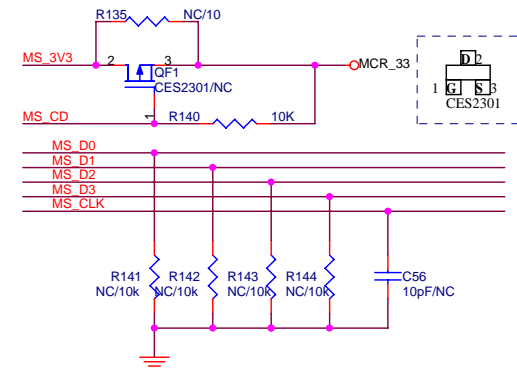
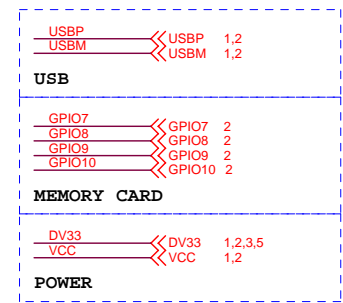
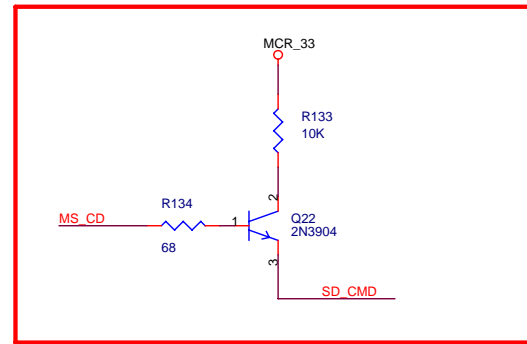
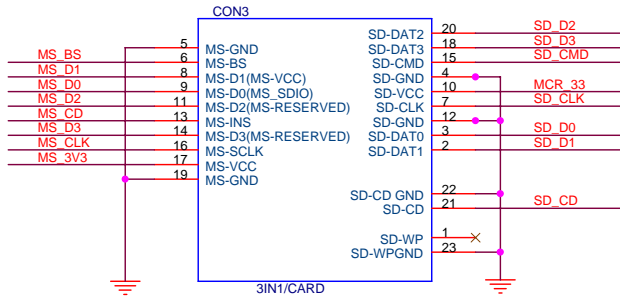


- SP\_L >> SP\_L 4
- SP\_R >> SP\_R 4

**MUTE\_Circuit**



Title		
audio		
Size	Document Number	Rev
C	<Doc>	<RevCode>
Date:	Wednesday, October 08, 2008	Sheet 5 of 6



Only For MT1389L

Title		
<Title>		
Size	Document Number	Rev
B	<Doc>	<Rev Code>
Date:	Wednesday, October 08, 2008	Sheet 6 of 6