



Internal Use Only

<http://biz.lgservice.com>

Room Air Conditioner

SVC MANUAL(Exploded View)

**MODEL : AS-W0964GG1(S09AM)
AS-W1264GG1(S12AM)**

CAUTION

Before Servicing the unit, read the safety precautions in General SVC manual.
Only for authorized service personnel.

1. Specification

Models			AS-W0964GG1(S09AM)	AS-W1264GG1(S12AM)	
Cooling Capacity (Min_Rating_Max)		kW	0.90~2.64~3.46	0.90~3.52~4.04	
		Btu/h	3,070~9,000~11,800	3,070~12,000~13,800	
Heating Capacity (Min_Rating_Max)		kW	0.90~3.17~3.87	0.90~4.00~4.86	
		Btu/h	3,070~10,800~13,200	3,070~13,650~16,600	
Power Input	Cooling/Heating	W	820/930	1,090/1,170	
Running Current	Cooling/Heating	A	3.8/4.3	5/5.3	
Starting Current	Cooling/Heating	A	3.8/4.3	5/5.3	
EER		W/W	3.22	3.23	
		Btu/h.W	10.99	11.01	
COP		W/W	3.41	3.42	
Power Supply		Ø / V / Hz	1/220~240/50	1/220~240/50	
Power Factor		%	93.8	94.8	
Air Flow Rate	Indoor,Max	mm ² /min(cfm)	9.5(335)	10.8(381.4)	
	Outdoor,Max	mm ² /min(cfm)	26(918)	26(918)	
Moisture Removal		l/h	1.3	1.5	
Sound Level	Indoor(H/M/L/Sleep)	dB(A)+3	32/28/25/22	38/30/25/22	
	Outdoor,Max	dB(A)+3	45	45	
Refrigerant & Charge(at 7.5m)		g(oz)	R410A, 630(22.22)	R410A, 940(33.15)	
Compressor	Type		Rotary(Non Tropical)	Rotary(Non Tropical)	
	Model		5RS102XAA21	5RS102XAA21	
	Motor Type		Brushless DC Motor	Brushless DC Motor	
	Oil Type		FV50S	FV50S	
	Oil Charge	cc	320	320	
	O.L.P Name		CS-7L 115	CS-7L 115	
Fan(Indoor)	Type		Cross Flow Fan	Cross Flow Fan	
	Motor Output	W	20	20	
Fan(outdoor)	Type		Propeller	Propeller	
	Motor Type		AC Induction	AC Induction	
	Motor Output	W	29	29	
Circuit Breaker*		A	15	15	
Power Supply Cable		No.*mm ²	3*1.0	3*1.0	
Power and Transmission Cable		No.*mm ² +No.*mm ²	4*1.0	4*1.0	
Piping	Liquid Side	mm(in)	6.35(1/4)	6.35(1/4)	
Connections	Gas Side	mm(in)	9.52(3/8)	9.52(3/8)	
Drain Hose	O.D , I.D	mm(in)	21.5, 16(0.85, 0.63)	21.5, 16(0.85, 0.63)	
Dimension	Indoor(W*H*D)	mm	840*270*153	840*270*153	
		inch	33.1*10.6*6.0	33.1*10.6*6.0	
	Outdoor(W*H*D)	mm	770*545*245	770*545*245	
		inch	30.31*21.3*9.65	30.31*21.3*9.65	
Net Weight	Indoor	kg(lbs)	9(20)	9(20)	
	Outdoor	kg(lbs)	38(83.8)	38(83.8)	
Tool Code(Chassis)	Indoor + Outdoor		S4 + UL	S4 + UL	
Functions	Temperature Control		Thermistor	Thermistor	
	Plasma Filter		Neo	Neo	
	Prefilter(washable/anti-fungus)		O	O	
	Auto Clean		O	O	
	CHAOS Wind(Auto Wind)		O	O	
	Steps, Fan/Cool/Heat		3/4/3	3/4/3	
	Airflow Direction Control(up&down)		Auto	Auto	
	Airflow Direction Control(left&right)		Manual	Manual	
	Remocon Type		Wireless LCD	Wireless LCD	
	Setting Temperature Range	Cooling		18 ~ 30	18 ~ 30
		Heating		16 ~ 30	16 ~ 30
	Auto Operation (Micom Control)		-	-	
	Auto Changeover (Micom Control)		O	O	
	Self Diagnosis		O	O	
	Timer		24h, On/Off	24h, On/Off	
	Sleep Operation		O	O	
	Soft Dry Operation		O	O	
	Restart Delay(minute)		2	2	
	Deice Control(Defrost)		O	O	
	Hot Start		O	O	
	Jet Cool		O	O	
	Low Ambient Operation		O	O	
	Special Function		-	-	
	Network Functions	Dry Contact		-	-
		Network Solution(LGAP)		-	-
		PI485		-	-

Note:

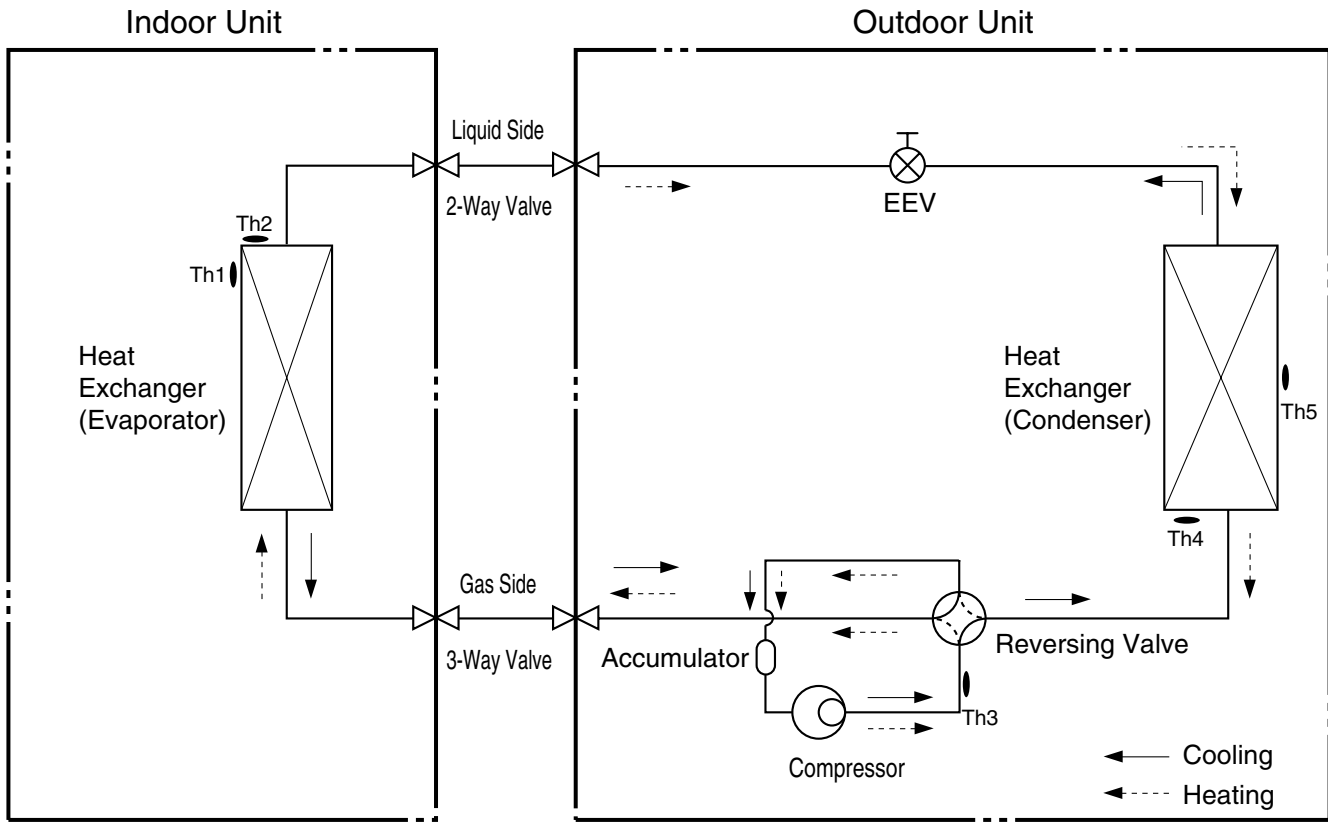
O : Applied, - : No relation

* For circuit breaker rating, please conform to local standards wherever necessary.

※ Some of functions are slightly different depending upon models.

※ The specification may be subject to change without notice for purpose of improvement.

2. Piping Diagrams

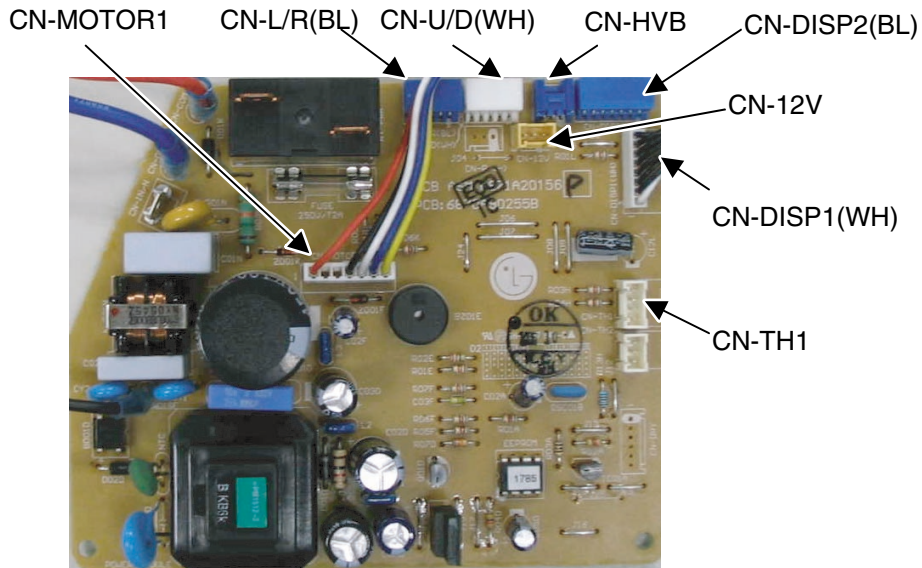
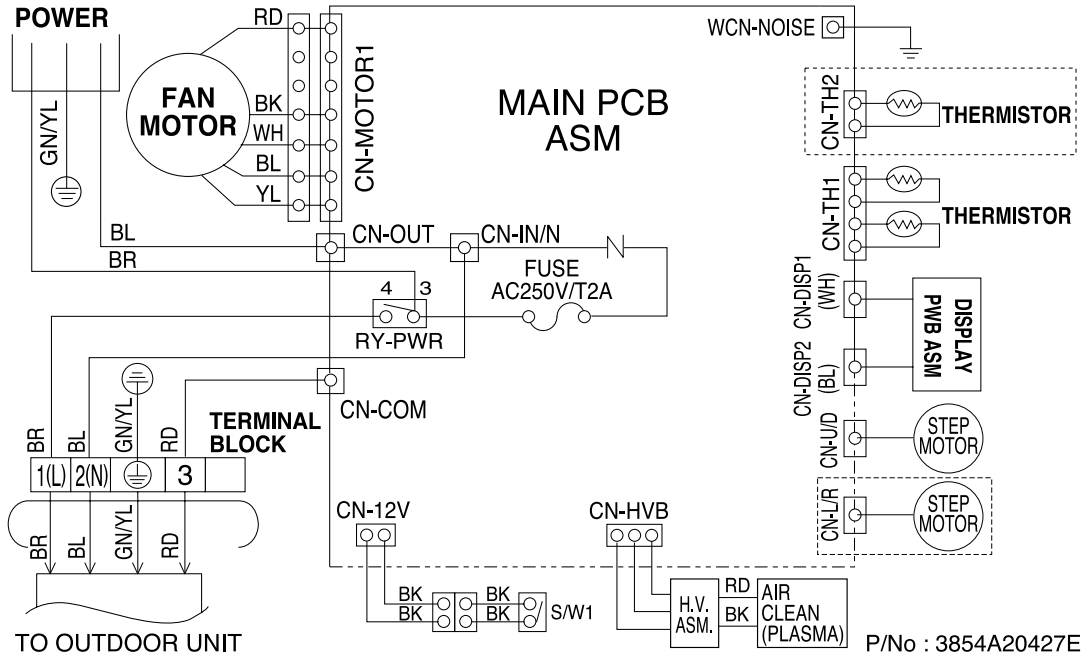


LOC.	Description	PCB Connector
Th1	Thermistor for indoor air temperature	CN-TH1 (Indoor)
Th2	Thermistor for evaporating temperature	CN-TH1 (Indoor)
Th3	Thermistor for discharge pipe temperature	CN-D-PIPE(Outdoor)
Th4	Thermistor for condensing temperature	CN-TH1 (Outdoor)
Th5	Thermistor for outdoor air temperature	CN-TH1 (Outdoor)

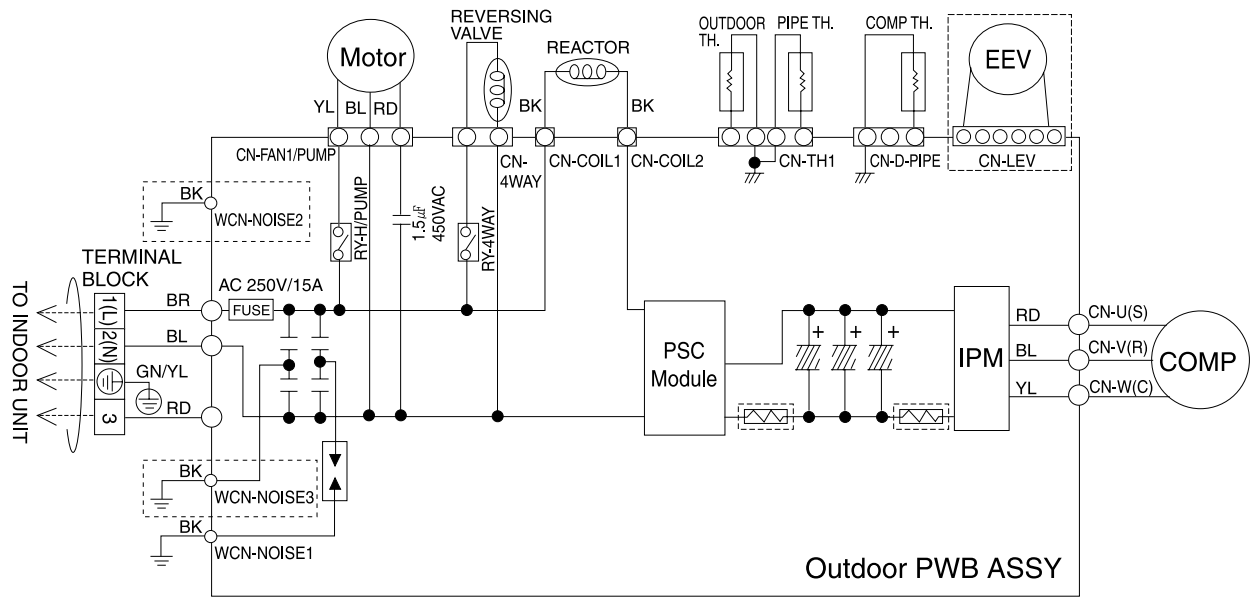
* EEV : Electronic Expansion Valve

3. Wiring Diagrams

Indoor Unit

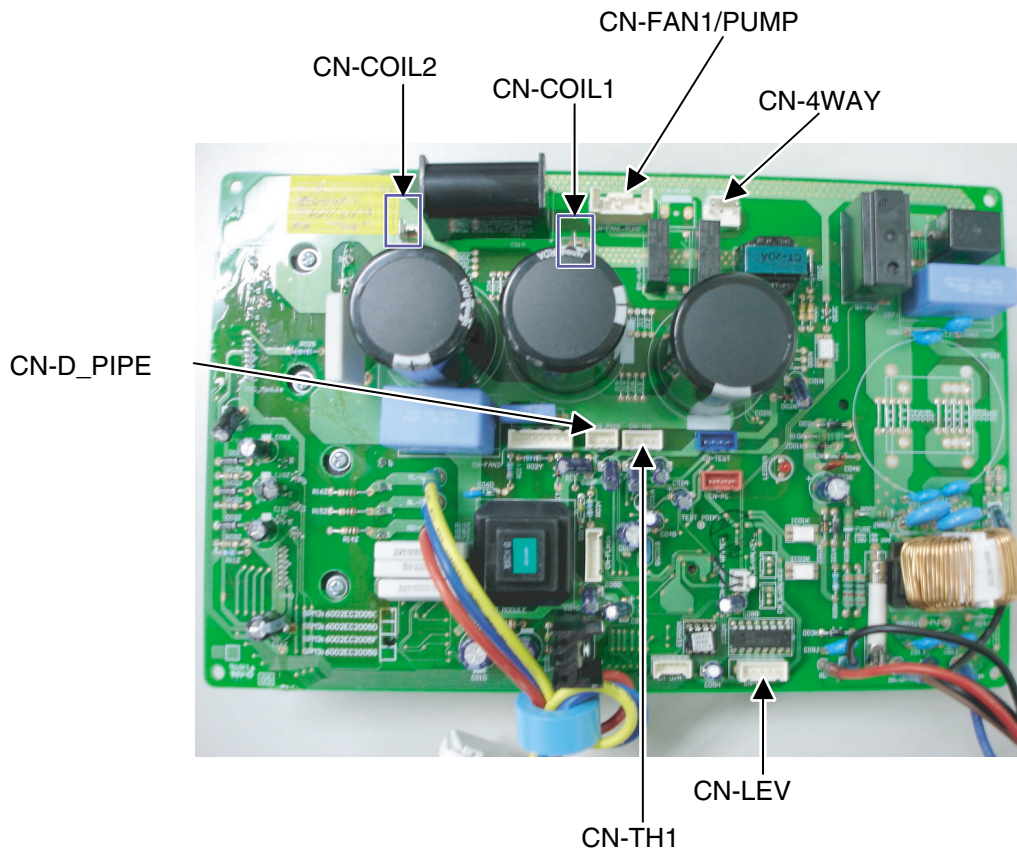


Outdoor Unit



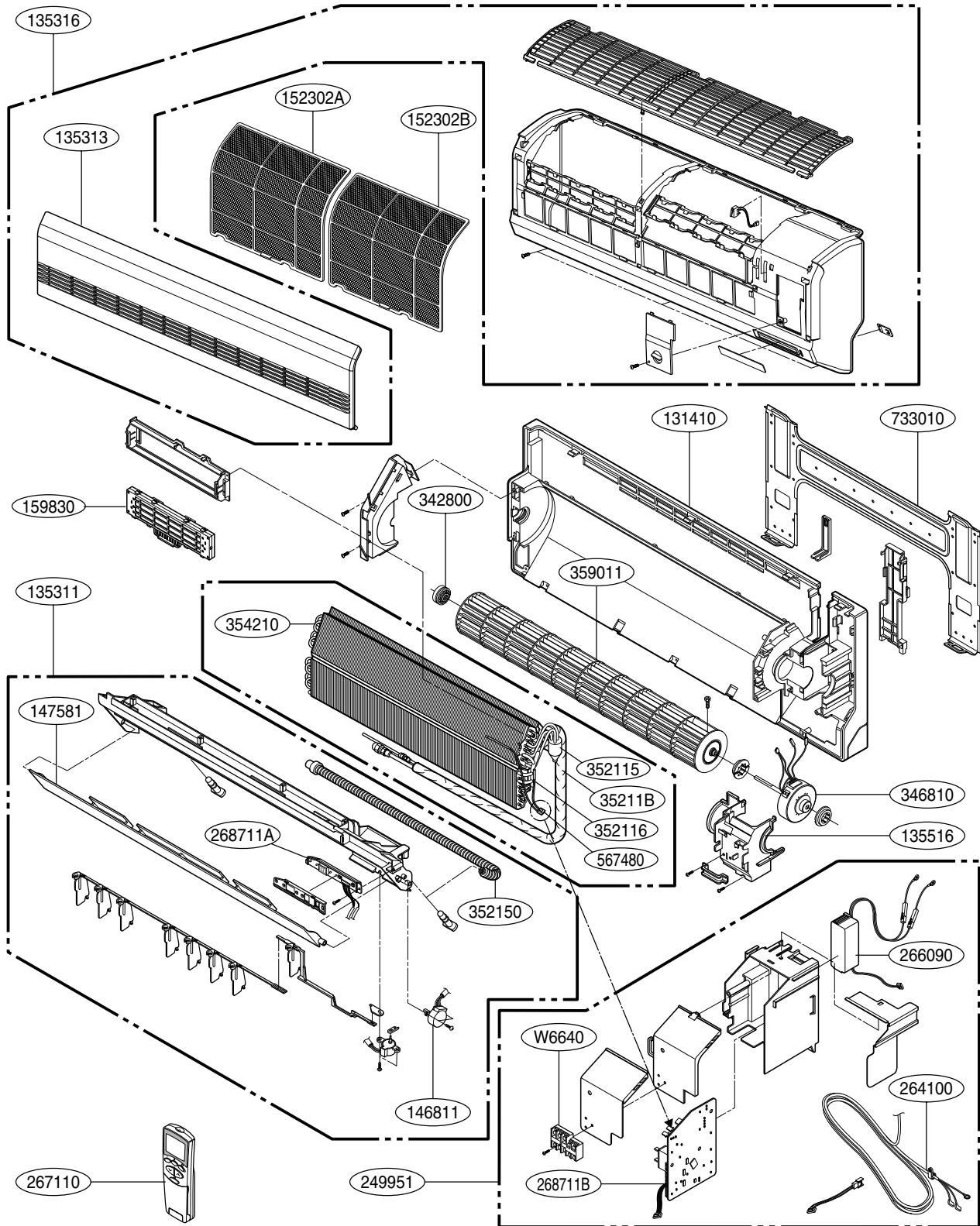
Outdoor PWB ASSY

3854A20310Z



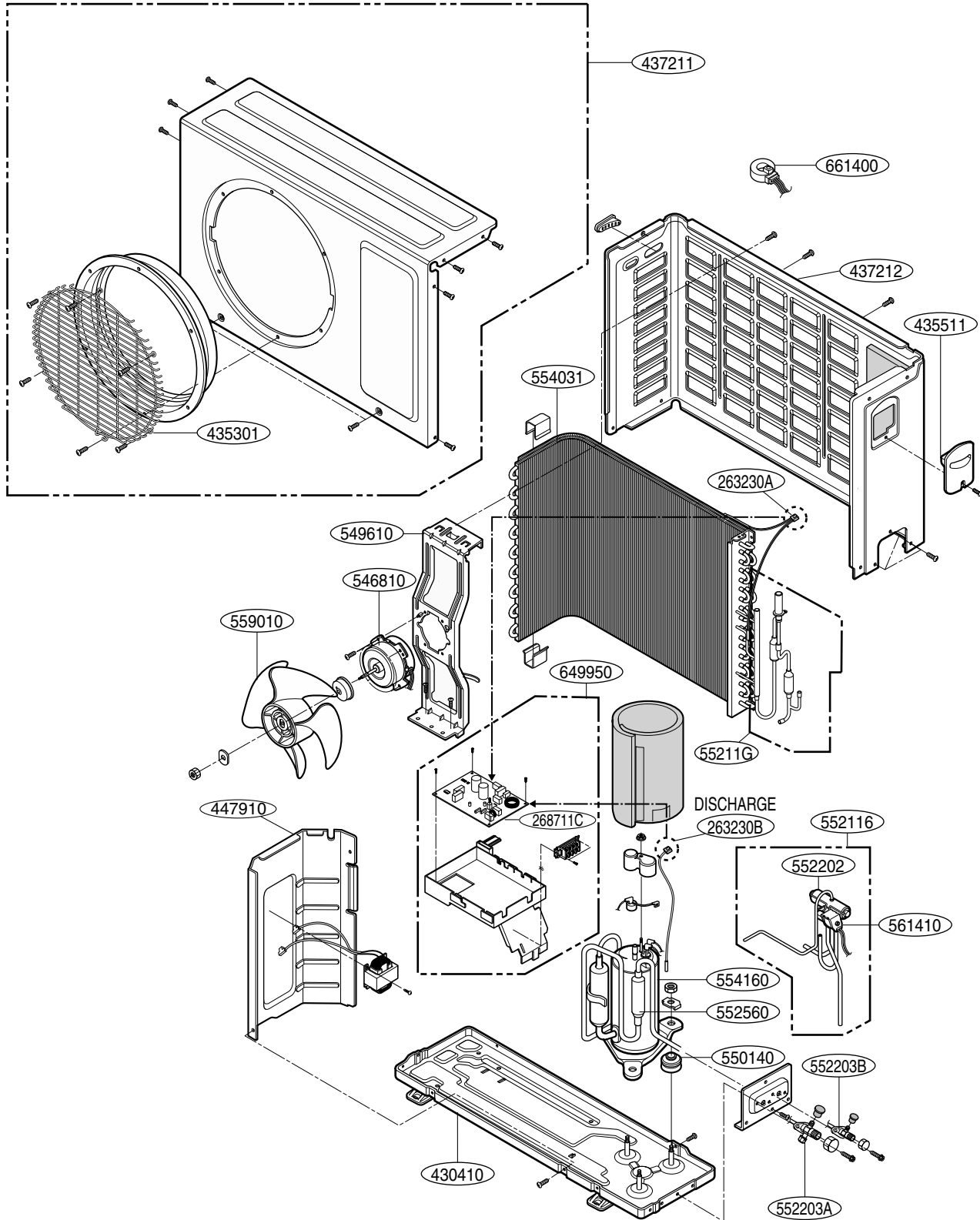
4. Exploded View

Indoor Unit



Note) * Please ensure GCSC since the replacement parts may be changed depending upon the buyer's request.
Please check the correct parts in View RPL(Replacement Part List) on GCSC.
(GCSC Website <http://biz.lgservice.com>.)

Outdoor Unit



Note) * Please ensure GCSC since the replacement parts may be changed depending upon the buyer's request.
Please check the correct parts in View RPL(Replacement Part List) on GCSC.
(GCSC Website <http://biz.Lgservice.com>,)



P/NO : MFL37062902

DECEMBER, 2007

